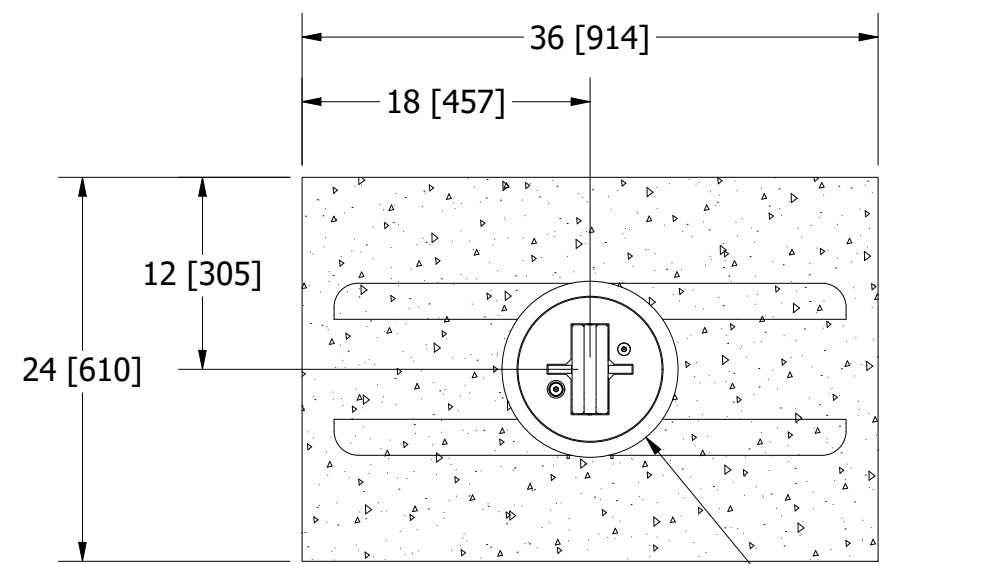


# Crash Rated Bollard R-1010-S20-R

1 BOLLARD INSTALLATION - SEE NEXT PAGE FOR ARRAY INSTALLATION

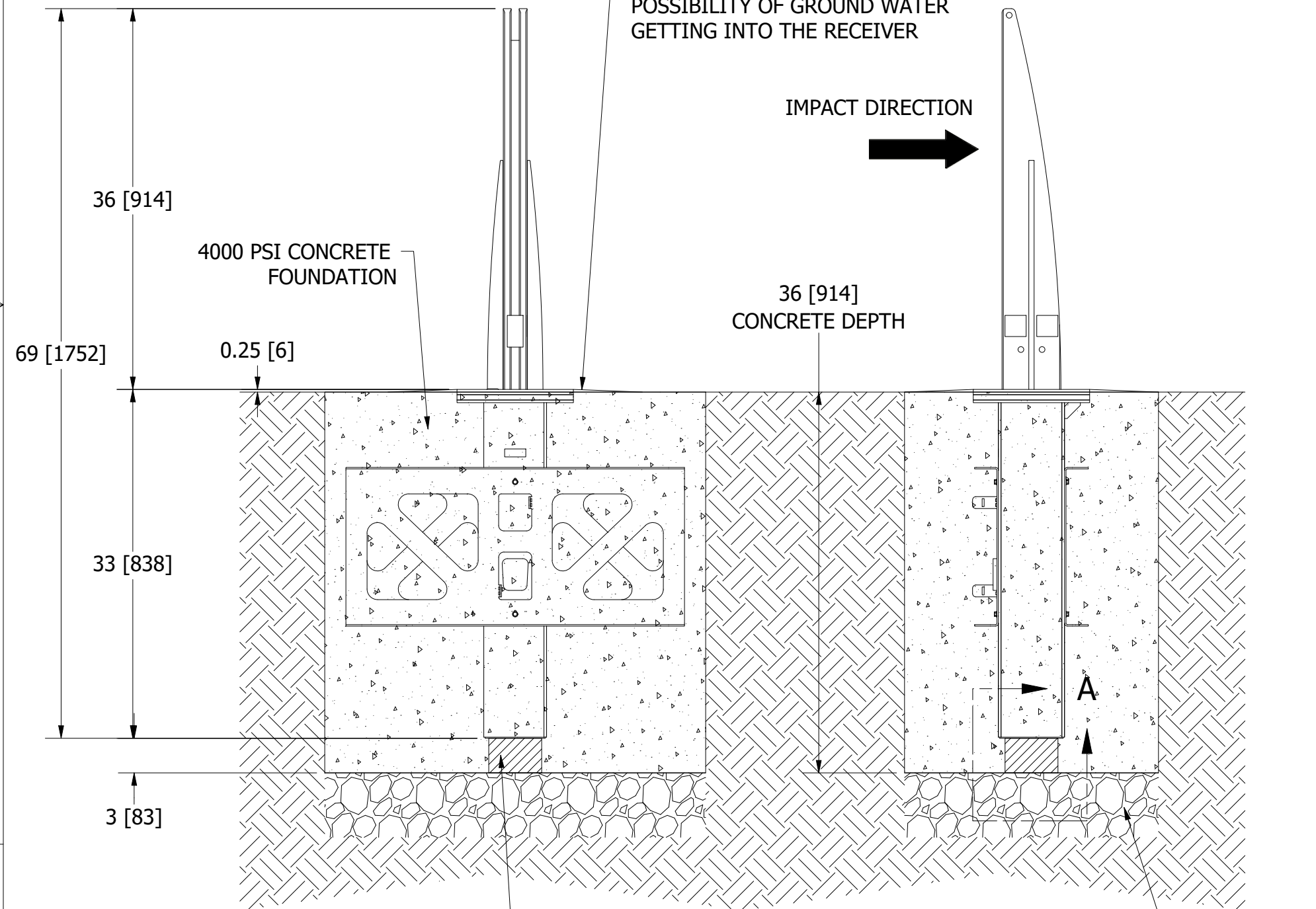


IMPACT DIRECTION ↑

SET TOP EDGE OF RECEIVER APPROX. 1/4" ABOVE GRADE, BUILD A BERM AROUND THE EDGE TO REDUCE THE POSSIBILITY OF GROUND WATER GETTING INTO THE RECEIVER

BEND THE TABS (2X TYP.) OF THIS ITEM

IMPACT DIRECTION →

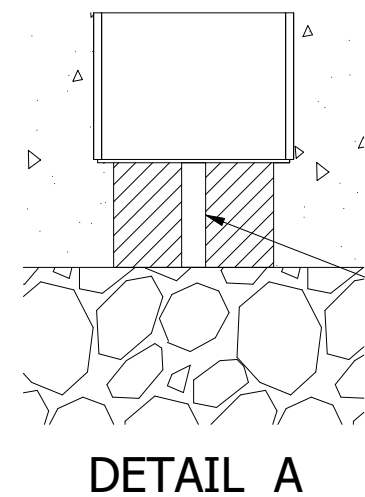
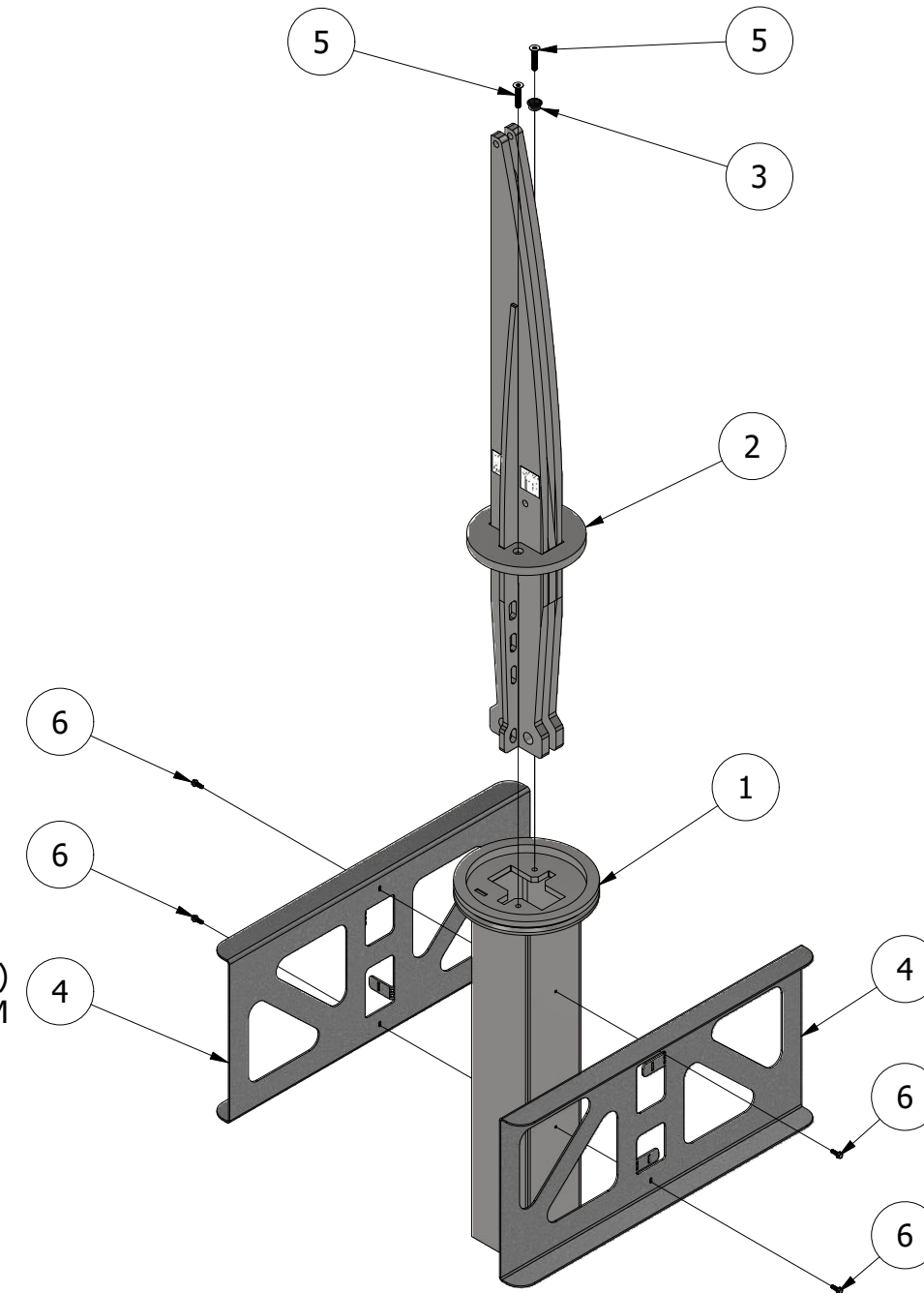


**NOTES:**

- EMBEDMENT DETAILS ARE FOR REFERENCE ILLUSTRATION ONLY. MINIMUM FOUNDATION SIZES DEPEND ON LOCAL SOIL CONDITIONS, WEATHER CONDITIONS, AND ENGINEERING REQUIREMENTS.
- BOLLARD IS PROVIDED AS SHOWN, WITH PARTS LISTED BELOW. CONCRETE FOUNDATION AND/OR INSTALLATION NOT PROVIDED BY RELIANCE FOUNDRY.
- THIS DRAWING IS NOT DRAWN TO SCALE. DIMENSIONS PROVIDED HEREIN IS FOR REFERENCE ONLY. PLEASE CONSULT RELIANCE FOUNDRY SALES PROFESSIONALS IF ANY DIMENSION IS CRITICAL TO YOUR PARTICULAR INSTALLATION.
- RELIANCE FOUNDRY RESERVES THE RIGHT TO AMEND DESIGN AND SPECIFICATIONS WITHOUT PRIOR NOTICE FOR PRODUCT IMPROVEMENT.

TOOL REQUIRED:  
T45 TEMPER-RESISTANT TORX KEY

PARTS LIST				
ITEM	QTY	PART NUMBER	DESCRIPTION	WEIGHT (LBS)
1	1	S20-A0002	S20 RECEIVER ASSEMBLY	71
2	1	S20-A0001-RB	S20 REMOVABLE BOLLARD ASSEMBLY	156
3	1	p0035-R	BOLLARD FLANGE CONDUIT WASHER	-
4	2	p0320-R	FOUNDATION REINFORCEMENT BRACKET	17
5	2	91870A763	TORX SCREW 3/8"-16; LENGTH 2"	-
6	4	96024A420	THREAD-CUTTING SCREW 1/4"-20; LENGTH 3/4"	-



**General Description:**

The Vector S20 Removable Bollard offers crash-rated defense against vehicle incursions and is certified to the ASTM F3016 S20 P1 standard. Designed for locations requiring periodic clearance, this removable bollard provides robust protection with the convenience of easy installation and removal. Its no-rebar design ensures cost-efficient setup, while the modern aesthetic fits seamlessly into storefront environments

For more information on bollard post installation, please visit: [www.reliance-foundry.com/bollard/installation-bollards](http://www.reliance-foundry.com/bollard/installation-bollards)

**Specifications:**

- Total height: 69" [1758 mm]
- Height above grade: 36" [914 mm]
- Height below grade: 33" [844 mm]
- Weight: 262 lbs [119 kg]
- Material: Steel
- Finish: Hot-dip Galvanized



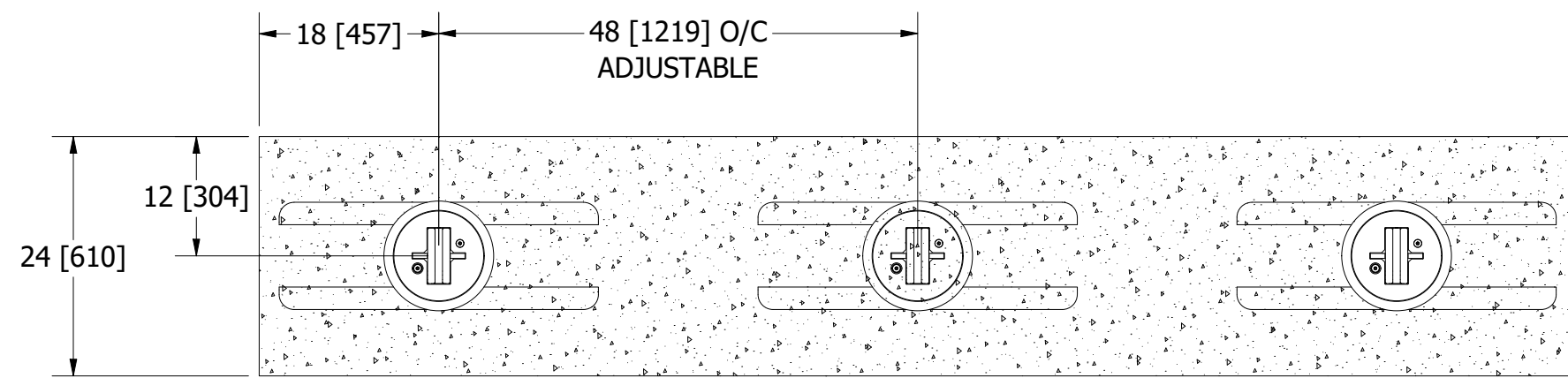
**RELIANCE FOUNDRY**  
SINCE 1925

Unit 207, 6450 - 148 Street, Surrey, BC V3S 7G7, Canada  
1-877-789-3245 info@reliance-foundry.com  
[www.reliance-foundry.com](http://www.reliance-foundry.com)

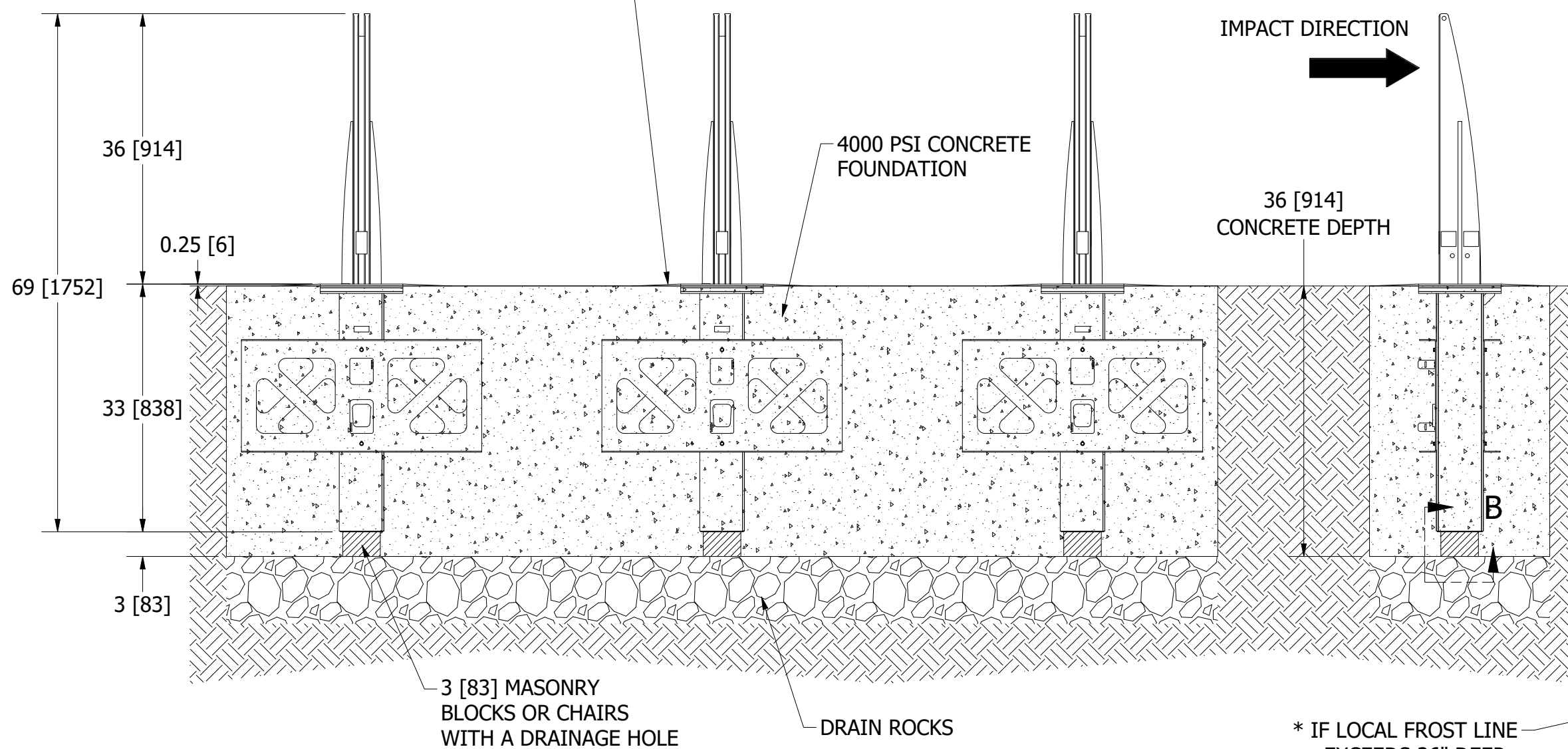
TITLE			
<b>R-1010-S20-R</b>			
SIZE	DWG NO	REV	
C	R-1010-S20-R_01	01B	

# Crash Rated Bollard R-1010-S20-R

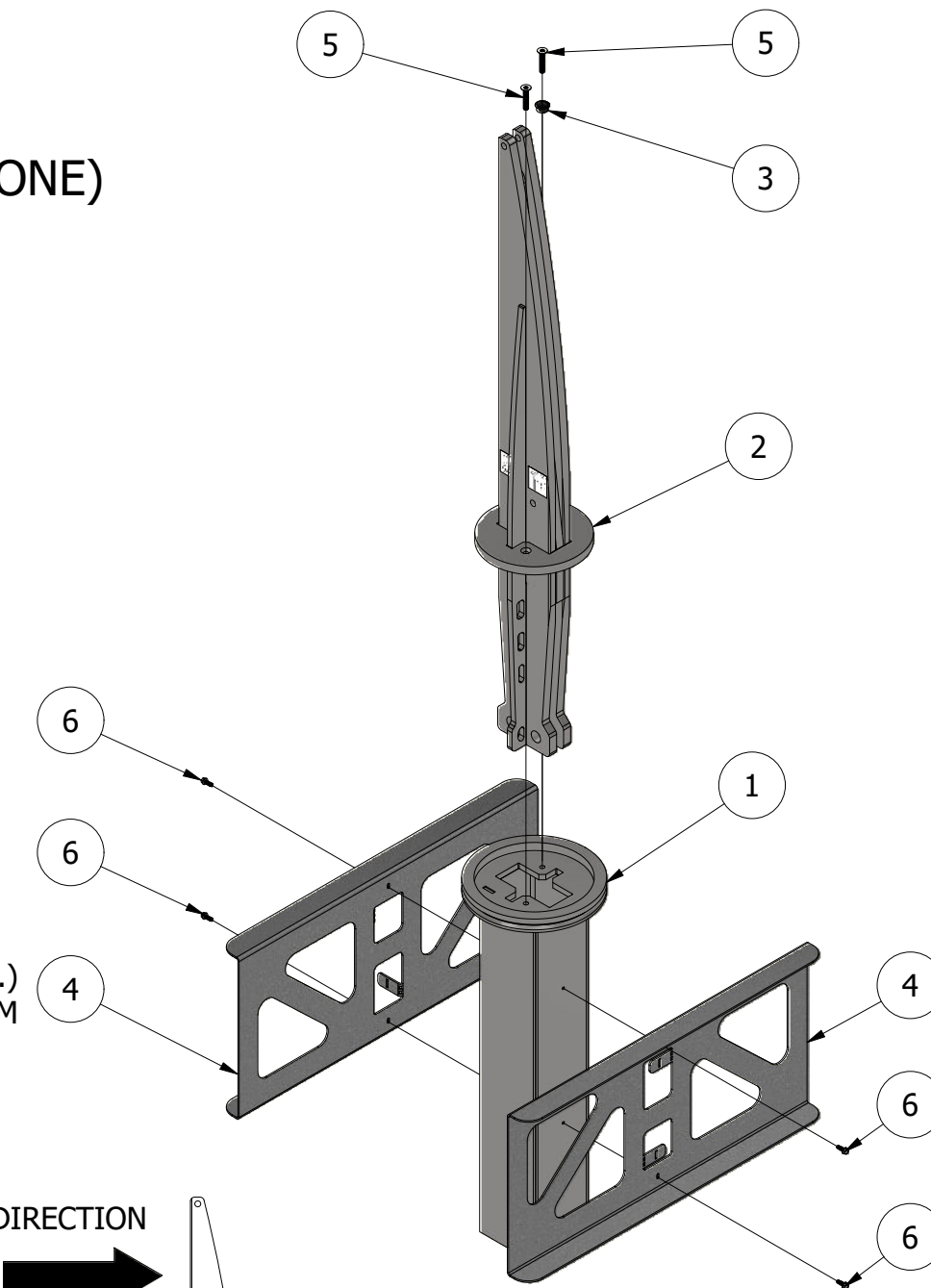
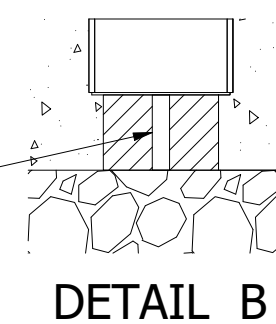
TYPICAL BOLLARD ARRAY SHOWN (1 BOLLARD CAN WITHSTAND VEHICLE IMPACT ALONE)



SET TOP EDGE OF RECEIVER APPROX. 1/4" ABOVE GRADE, BUILD A BERM AROUND THE EDGE TO REDUCE THE POSSIBILITY OF GROUND WATER GETTING INTO THE RECEIVER



\* IF LOCAL FROST LINE EXCEEDS 36" DEEP, PROVIDE ADEQUATE DRAINAGE BY PIPING, CONNECT TO DRAIN ROCK LAYER UNDERNEATH.



## General Description:

The **Vector S20 Removable Bollard** offers crash-engineered defense against vehicle incursions, pending ASTM F3016 S20 certification. Designed for locations requiring periodic clearance, this removable bollard provides robust protection with the convenience of easy installation and removal. Its no-rebar design ensures cost-efficient setup, while the modern aesthetic fits seamlessly into storefront environments.

For more information on bollard post installation, please visit: [www.reliance-foundry.com/bollard/installation-bollards](http://www.reliance-foundry.com/bollard/installation-bollards)

## Specifications:

Total height: 69" [1752 mm]

Height above grade: 36" [914 mm]

Height below grade: 33" [844 mm]

Weight: 262 lbs [119 kg]

Material: Steel

Finish: Hot-dip Galvanized

## NOTES:

- EMBEDMENT DETAILS ARE FOR REFERENCE ILLUSTRATION ONLY. MINIMUM FOUNDATION SIZES DEPEND ON LOCAL SOIL CONDITIONS, WEATHER CONDITIONS, AND ENGINEERING REQUIREMENTS.
- BOLLARD IS PROVIDED AS SHOWN, WITH PARTS LISTED BELOW. CONCRETE FOUNDATION AND/OR INSTALLATION NOT PROVIDED BY RELIANCE FOUNDRY.
- THIS DRAWING IS NOT DRAWN TO SCALE. DIMENSIONS PROVIDED HEREIN IS FOR REFERENCE ONLY. PLEASE CONSULT RELIANCE FOUNDRY SALES PROFESSIONALS IF ANY DIMENSION IS CRITICAL TO YOUR PARTICULAR INSTALLATION.
- RELIANCE FOUNDRY RESERVES THE RIGHT TO AMEND DESIGN AND SPECIFICATIONS WITHOUT PRIOR NOTICE FOR PRODUCT IMPROVEMENT.

PARTS LIST				
ITEM	QTY	PART NUMBER	DESCRIPTION	WEIGHT (LBS)
1	3	S20-A0002	S20 RECEIVER ASSEMBLY	71
2	3	S20-A0001-RB	S20 REMOVABLE BOLLARD ASSEMBLY	156
3	3	p0035-R	BOLLARD FLANGE CONDUIT WASHER	-
4	6	p0320-R	FOUNDATION REINFORCEMENT BRACKET	17
5	6	91870A763	TORX SCREW 3/8"-16; LENGTH 2"	-
6	8	96024A420	THREAD-CUTTING SCREW 1/4"-20; LENGTH 3/4"	-

TOOL REQUIRED:  
T45 TEMPER-RESISTANT TORX KEY

**RELIANCE FOUNDRY**  
— SINCE 1925 —

Unit 207, 6450 - 148 Street, Surrey, BC V3S 7G7, Canada  
1-877-789-3245 info@reliance-foundry.com  
[www.reliance-foundry.com](http://www.reliance-foundry.com)

TITLE			
<b>R-1010-S20-R</b>			
SIZE	DWG NO	REV	
<b>C</b>	<b>R-1010-S20-R_01</b>	<b>01B</b>	