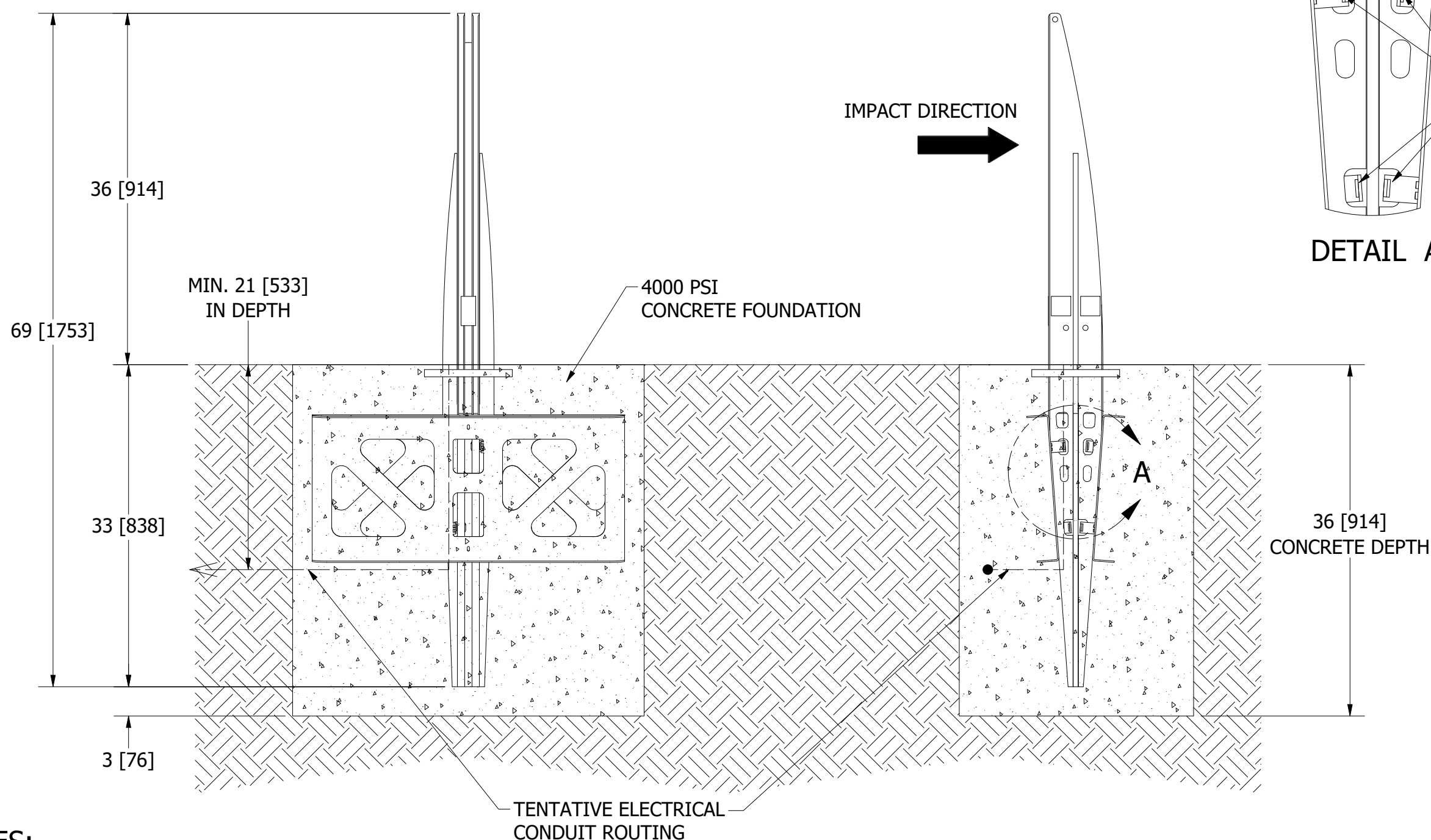
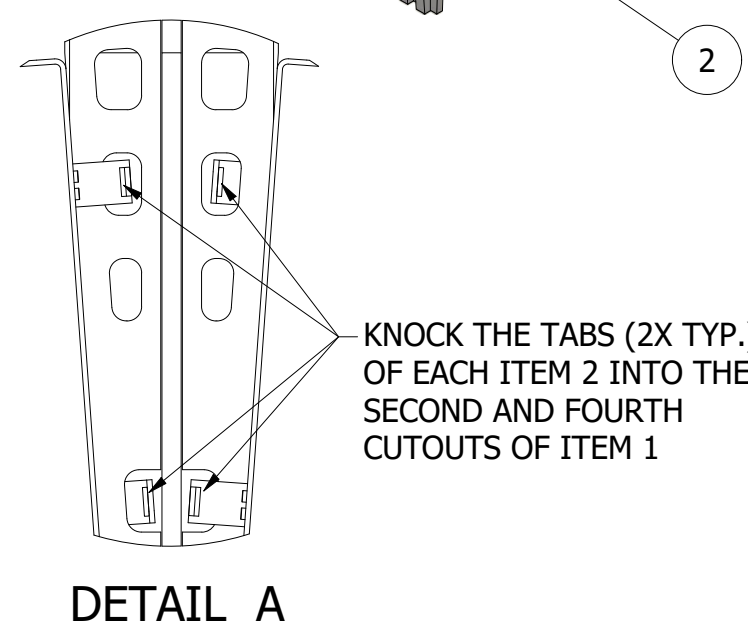
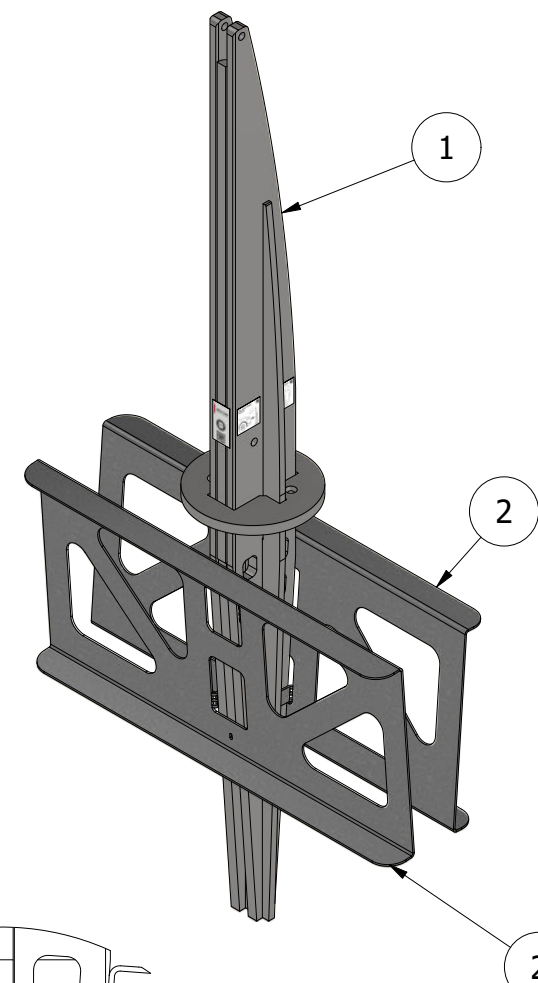
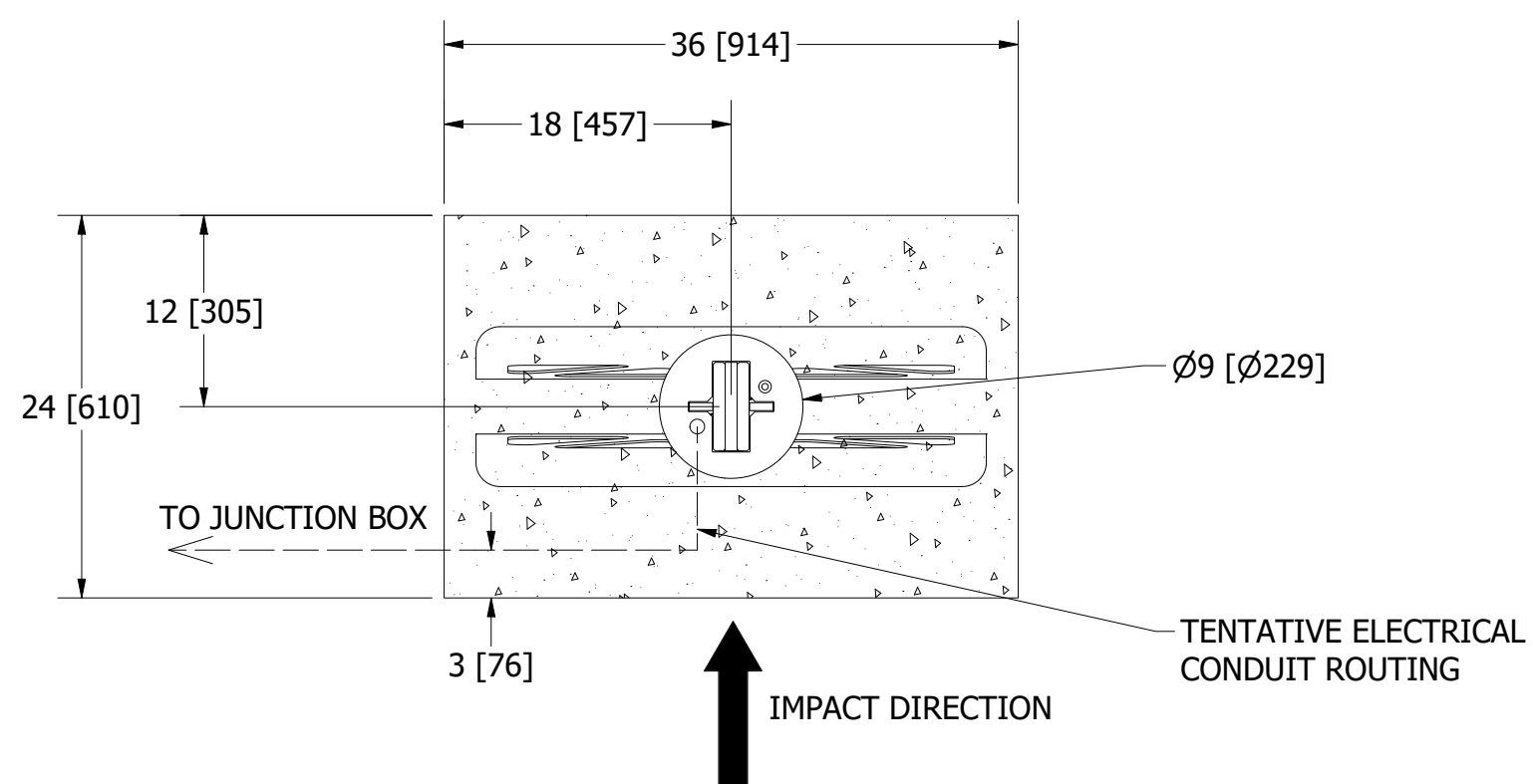


Crash Rated Bollard R-1010-S20

1 BOLLARD INSTALLATION - SEE NEXT PAGE FOR ARRAY INSTALLATION



General Description:

The Vector S20 Bollard offers crash-rated protection against vehicle collisions while maintaining a modern, stylish appearance. This ASTM S20 P1 certified bollard is designed for reliable storefront safety with streamlined installation. Its curved profile and side flanges enhance durability, while the no-rebar design ensures faster, cost-effective setup.

For more information on bollard post installation, please visit: www.reliance-foundry.com/bollard/installation-bollards

Specifications:

Total height: 69" [1753 mm]

Height above grade: 36" [914 mm]

Height below grade: 33" [838 mm]

Weight: 205 lbs [93 kg]

Material: Steel

Finish: Hot-dip Galvanized

NOTES:

- EMBEDMENT DETAILS ARE FOR REFERENCE ILLUSTRATION ONLY. MINIMUM FOUNDATION SIZES DEPEND ON LOCAL SOIL CONDITIONS, WEATHER CONDITIONS, AND ENGINEERING REQUIREMENTS.
- BOLLARD IS PROVIDED AS SHOWN, WITH PARTS LISTED BELOW. CONCRETE FOUNDATION AND/OR INSTALLATION NOT PROVIDED BY RELIANCE FOUNDRY.
- THIS DRAWING IS NOT DRAWN TO SCALE. DIMENSIONS PROVIDED HEREIN IS FOR REFERENCE ONLY. PLEASE CONSULT RELIANCE FOUNDRY SALES PROFESSIONALS IF ANY DIMENSION IS CRITICAL TO YOUR PARTICULAR INSTALLATION.
- RELIANCE FOUNDRY RESERVES THE RIGHT TO AMEND DESIGN AND SPECIFICATIONS WITHOUT PRIOR NOTICE FOR PRODUCT IMPROVEMENT.

PARTS LIST				
ITEM	QTY	PART NUMBER	DESCRIPTION	WEIGHT (LBS)
1	1	S20-A0001	S20 FIXED BOLLARD ASSEMBLY	170
2	2	p0320-R	FOUNDATION REINFORCEMENT BRACKET	17

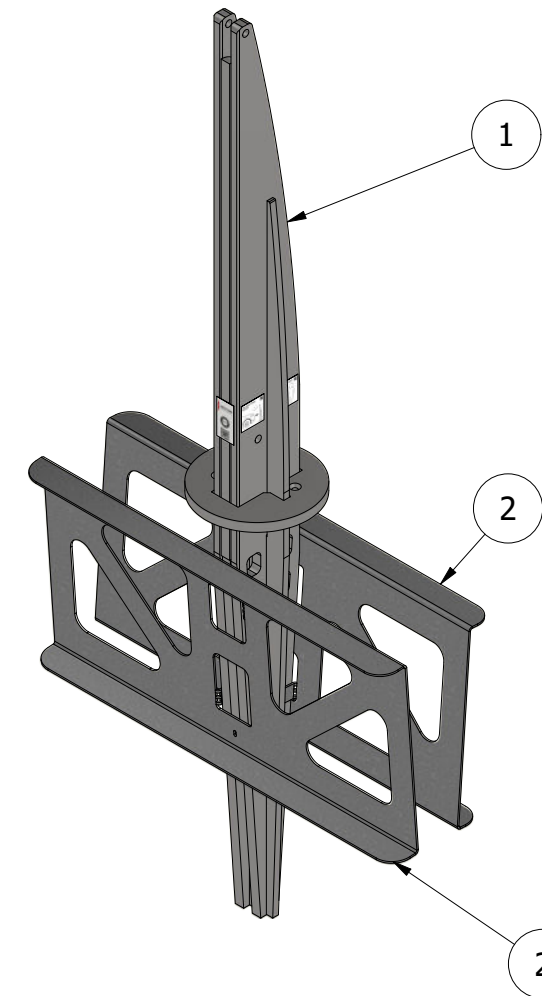
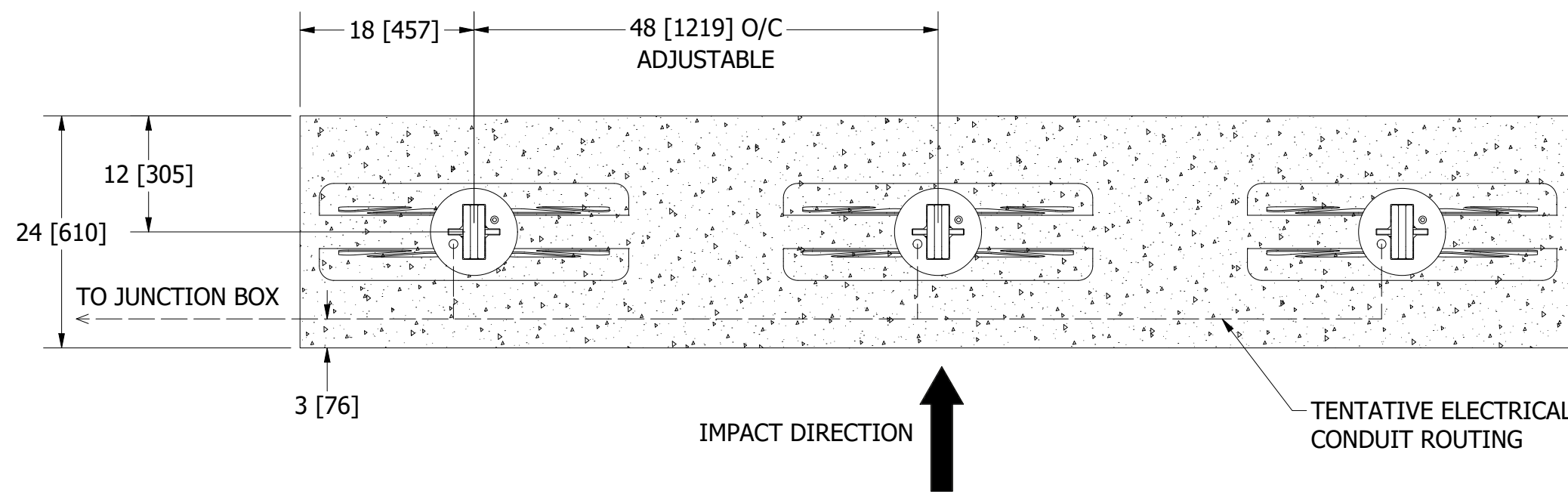
RELIANCE FOUNDRY
SINCE 1925

Unit 207, 6450 - 148 Street, Surrey, BC V3S 7G7, Canada
1-877-789-3245 info@reliance-foundry.com
www.reliance-foundry.com

TITLE			
R-1010-S20			
SIZE	DWG NO	REV	
C	R-1010-S20_01	01B	
NOT TO SCALE		UNLESS OTHERWISE SPECIFIED, DIMS ARE IN INCHES [MILLIMETERS]	SHEET 1 OF 2

Crash Rated Bollard R-1010-S20

TYPICAL BOLLARD ARRAY SHOWN (1 BOLLARD CAN WITHSTAND VEHICLE IMPACT ALONE)



General Description:

The Vector S20 Bollard offers engineered protection against vehicle collisions while maintaining a modern, stylish appearance. Pending ASTM F3016 certification, it is designed for reliable storefront safety with streamlined installation. Its curved profile and side flanges enhance durability, while the no-rebar design ensures faster, cost-effective setup.

For more information on bollard post installation, please visit: www.reliance-foundry.com/bollard/installation-bollards

Specifications:

Total height: 69" [1753 mm]

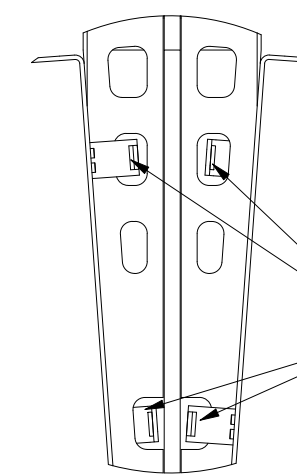
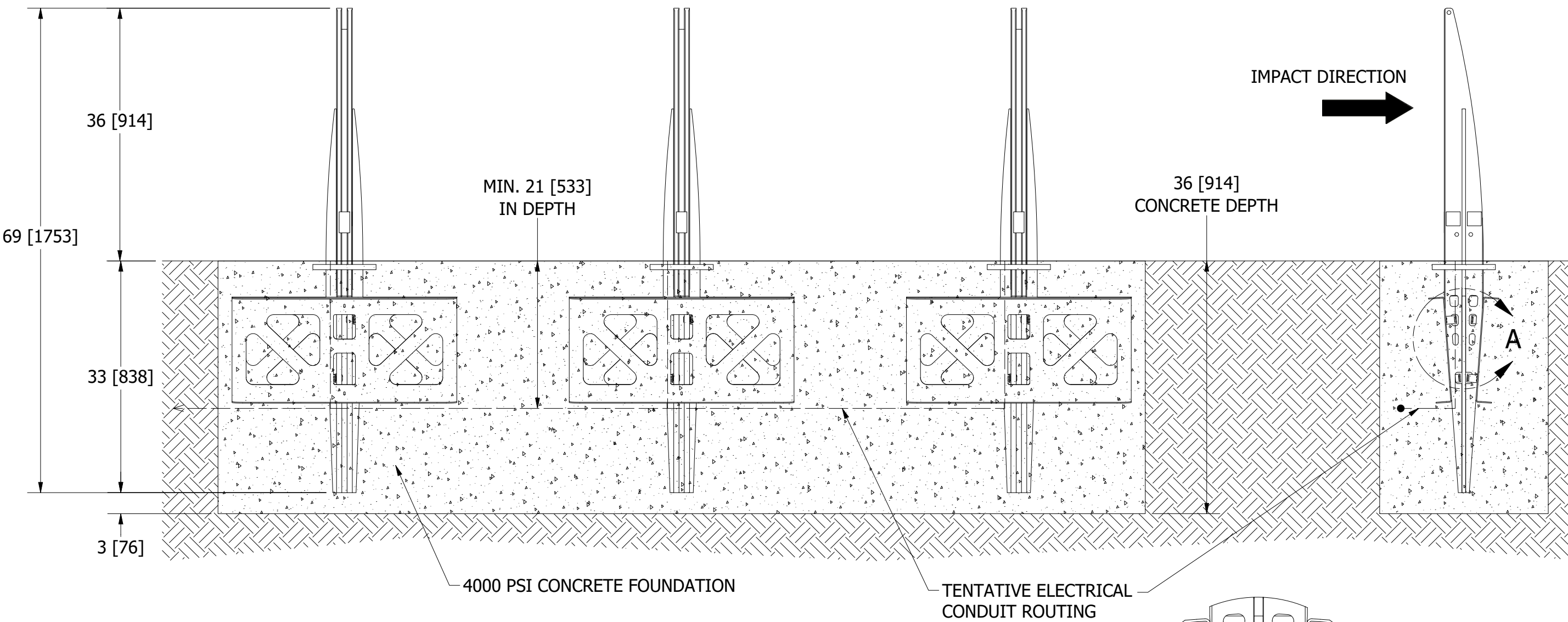
Height above grade: 36" [914 mm]

Height below grade: 33" [838 mm]

Weight: 205 lbs [93 kg]

Material: Steel

Finish: Hot-dip Galvanized



DETAIL A

NOTES:

- EMBEDMENT DETAILS ARE FOR REFERENCE ILLUSTRATION ONLY. MINIMUM FOUNDATION SIZES DEPEND ON LOCAL SOIL CONDITIONS, WEATHER CONDITIONS, AND ENGINEERING REQUIREMENTS.
- BOLLARD IS PROVIDED AS SHOWN, WITH PARTS LISTED BELOW. CONCRETE FOUNDATION AND/OR INSTALLATION NOT PROVIDED BY RELIANCE FOUNDRY.
- THIS DRAWING IS NOT DRAWN TO SCALE. DIMENSIONS PROVIDED HEREIN IS FOR REFERENCE ONLY. PLEASE CONSULT RELIANCE FOUNDRY SALES PROFESSIONALS IF ANY DIMENSION IS CRITICAL TO YOUR PARTICULAR INSTALLATION.
- RELIANCE FOUNDRY RESERVES THE RIGHT TO AMEND DESIGN AND SPECIFICATIONS WITHOUT PRIOR NOTICE FOR PRODUCT IMPROVEMENT.

PARTS LIST				
ITEM	QTY	PART NUMBER	DESCRIPTION	WEIGHT (LBS)
1	3	S20-A0001	S20 FIXED BOLLARD ASSEMBLY	170
2	6	p0320-R	FOUNDATION REINFORCEMENT BRACKET	17

RELIANCE FOUNDRY
— SINCE 1925 —

Unit 207, 6450 - 148 Street, Surrey, BC V3S 7G7, Canada
1-877-789-3245 info@reliance-foundry.com
www.reliance-foundry.com

TITLE			
R-1010-S20			
SIZE	DWG NO	REV	
C	R-1010-S20_01	01B	
NOT TO SCALE	UNLESS OTHERWISE SPECIFIED, DIMS ARE IN INCHES [MILLIMETERS]	SHEET 2 OF 2	