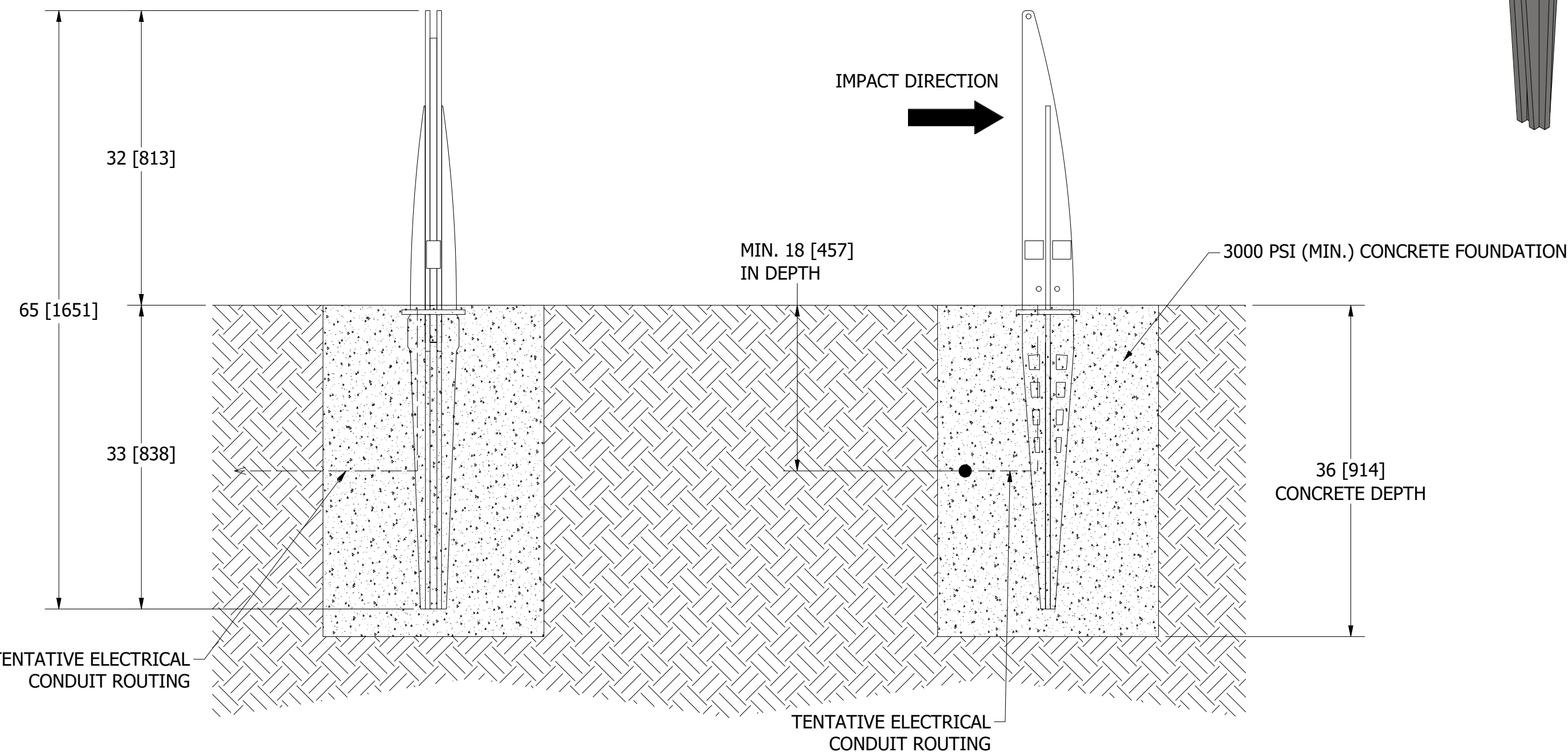
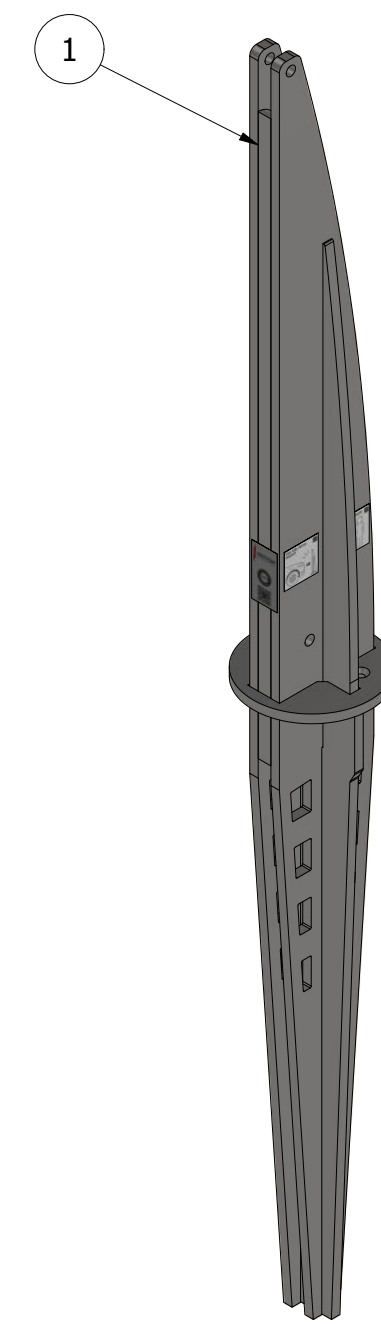
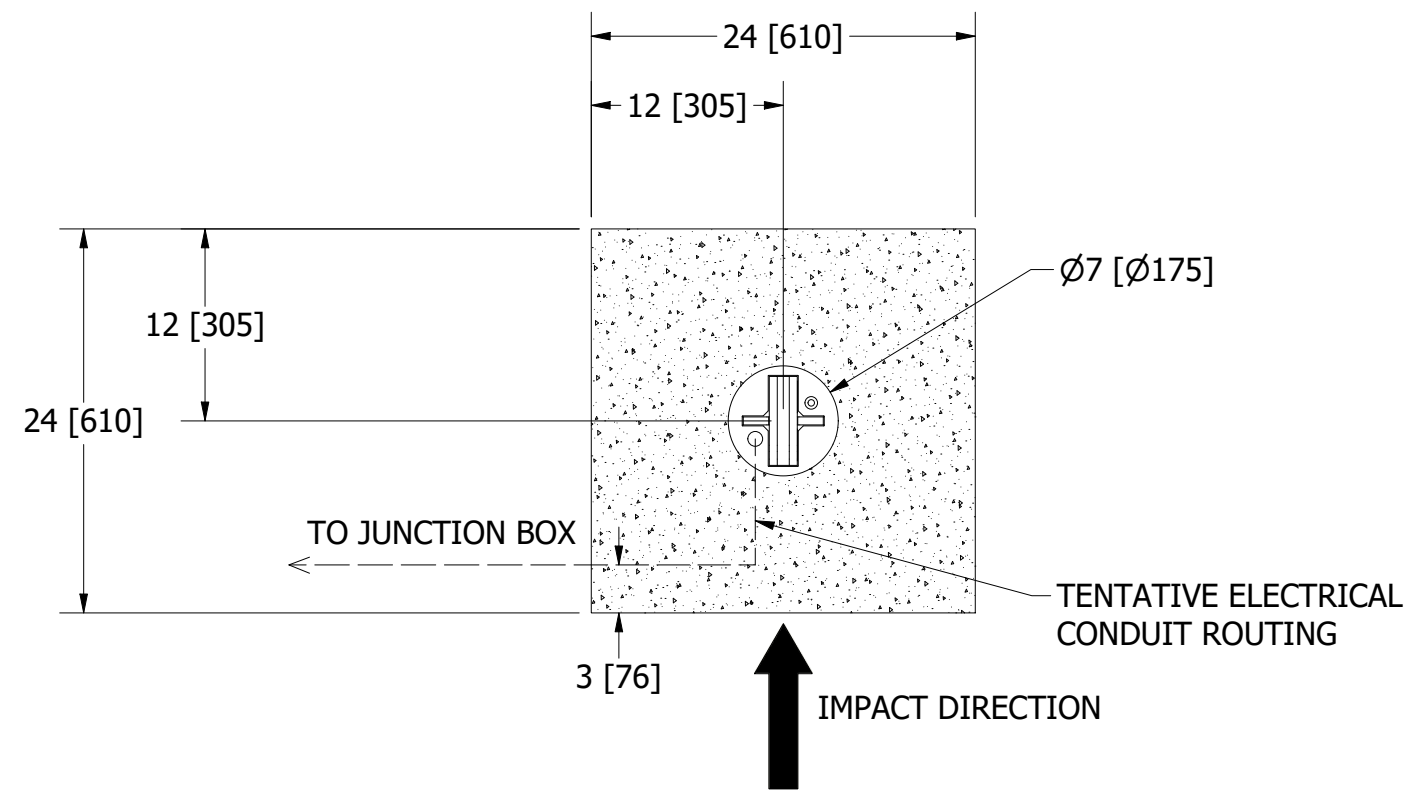


Crash Rated Bollard R-1010-S10

1 BOLLARD INSTALLATION - SEE NEXT PAGE FOR ARRAY INSTALLATION



General Description:

Reliance Foundry's **Vector S10 Bollard** delivers certified protection for storefronts, meeting ASTM F3016 S10 P1 standards for low-speed vehicle impact. Designed for both safety and style, its distinctive form and curved profile enhance strength while distributing impact forces efficiently. With no need for rebar during installation, the **Vector S10 Bollard** simplifies setup, reducing costs without compromising reliability.

For more information on bollard post installation, please visit: www.reliance-foundry.com/bollard/installation-bollards

Specifications:

Total height: 65" [1651 mm]

Height above grade: 32" [813 mm]

Height below grade: 33" [838 mm]

Weight: 117 lbs [53 kg]

Material: Steel

Finish: Hot-dip Galvanized



NOTES:

- EMBEDMENT DETAILS ARE FOR REFERENCE ILLUSTRATION ONLY. MINIMUM FOUNDATION SIZES DEPEND ON LOCAL SOIL CONDITIONS, WEATHER CONDITIONS, AND ENGINEERING REQUIREMENTS.
- BOLLARD IS PROVIDED AS SHOWN, WITH PARTS LISTED BELOW. CONCRETE FOUNDATION AND/OR INSTALLATION NOT PROVIDED BY RELIANCE FOUNDRY.
- THIS DRAWING IS NOT DRAWN TO SCALE. DIMENSIONS PROVIDED HEREIN IS FOR REFERENCE ONLY. PLEASE CONSULT RELIANCE FOUNDRY SALES PROFESSIONALS IF ANY DIMENSION IS CRITICAL TO YOUR PARTICULAR INSTALLATION.
- RELIANCE FOUNDRY RESERVES THE RIGHT TO AMEND DESIGN AND SPECIFICATIONS WITHOUT PRIOR NOTICE FOR PRODUCT IMPROVEMENT.

PARTS LIST				
ITEM	QTY	PART NUMBER	DESCRIPTION	WEIGHT (LBS)
1	1	R-1010-S10	S10 FIXED BOLLARD ASSEMBLY	117

RELIANCE FOUNDRY
SINCE 1925

Unit 207, 6450 - 148 Street, Surrey, BC V3S 7G7, Canada
1-877-789-3245 info@reliance-foundry.com
www.reliance-foundry.com

TITLE

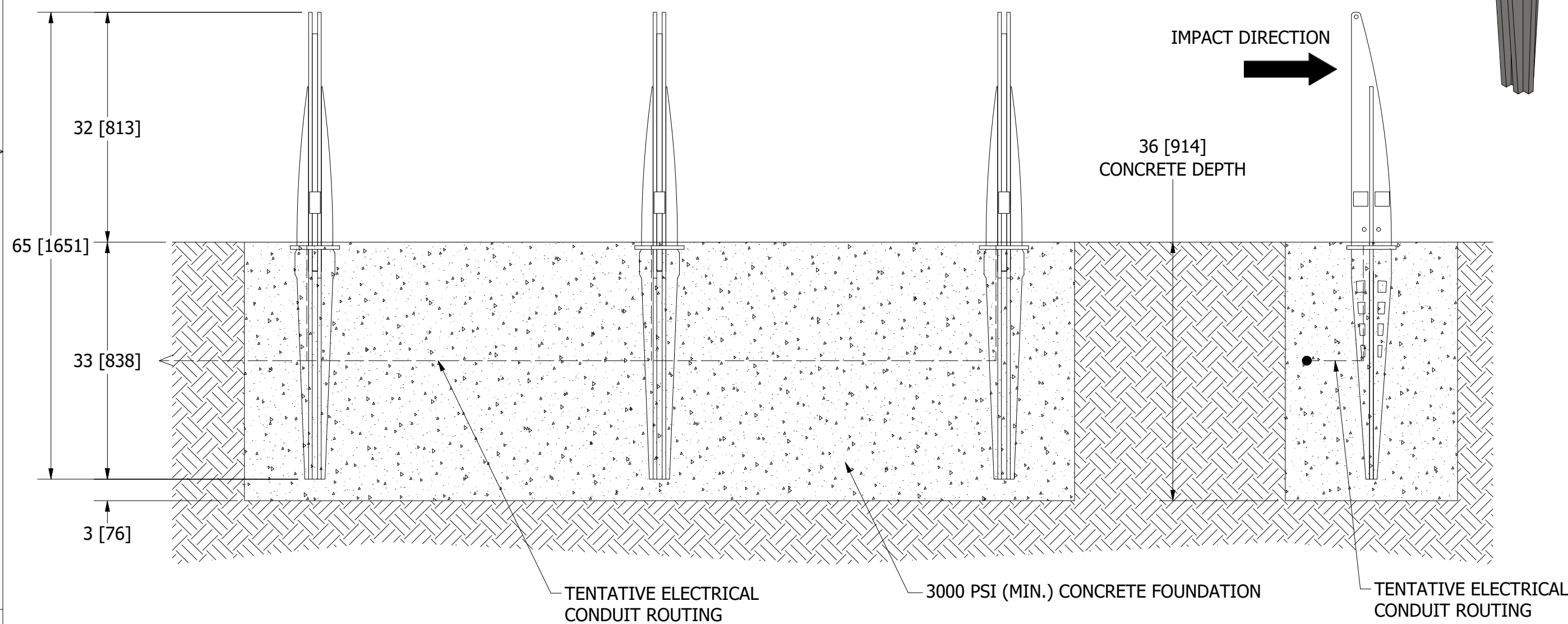
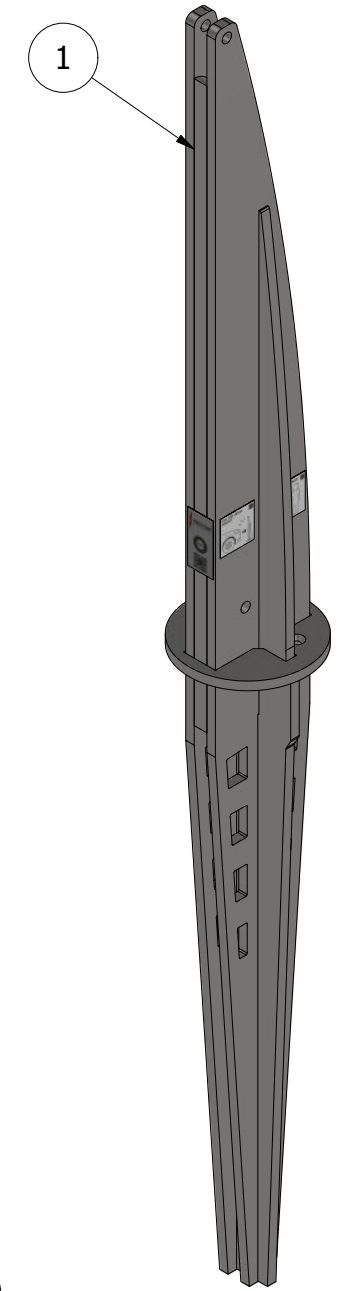
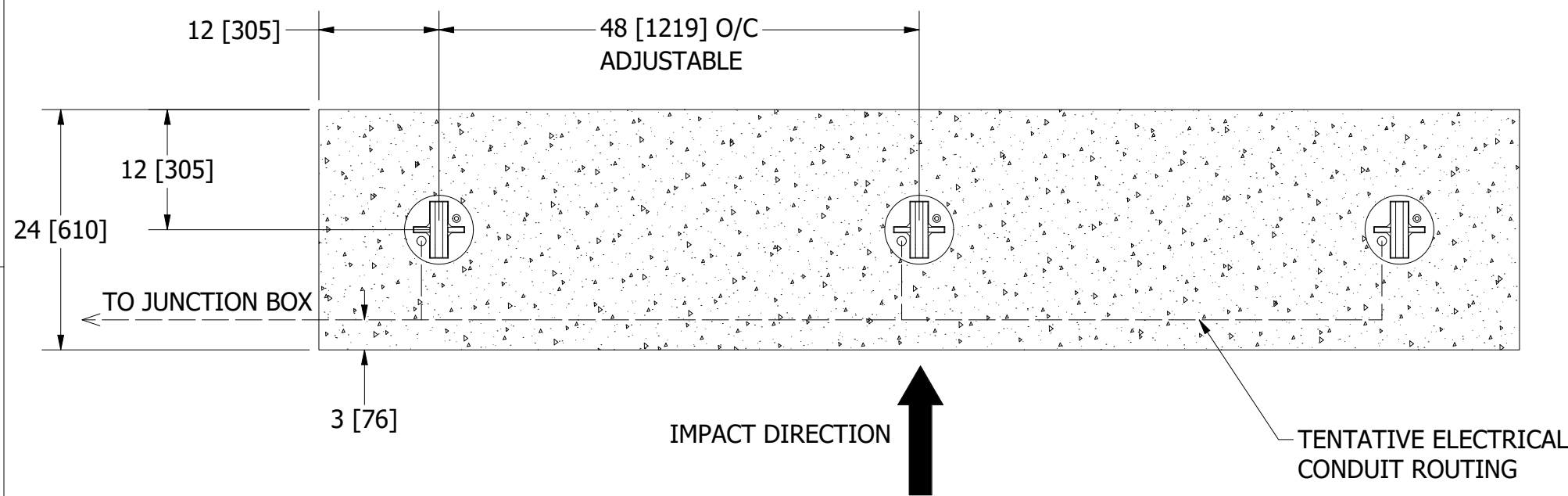
R-1010-S10

SIZE C	DWG NO R-1010-S10_01	REV 01A
------------------	--------------------------------	-------------------

NOT TO SCALE UNLESS OTHERWISE SPECIFIED, DIMS ARE IN INCHES (MILLIMETERS) SHEET 1 OF 2

Crash Rated Bollard R-1010-S10

TYPICAL BOLLARD ARRAY SHOWN (1 BOLLARD CAN WITHSTAND VEHICLE IMPACT ALONE)



General Description:

Reliance Foundry's **Vector S10 Bollard** delivers certified protection for storefronts, meeting ASTM F3016 S10 standards for low-speed vehicle impact. Designed for both safety and style, its distinctive form and curved profile enhance strength while distributing impact forces efficiently. With no need for rebar during installation, the **Vector S10 Bollard** simplifies setup, reducing costs without compromising reliability.

For more information on bollard post installation, please visit: www.reliance-foundry.com/bollard/installation-bollards

Specifications:

Total height: 65" [1651 mm]

Height above grade: 32" [813 mm]

Height below grade: 33" [838 mm]

Weight: 117 lbs [53 kg]

Material: Steel

Finish: Hot-dip Galvanized



NOTES:

- EMBEDMENT DETAILS ARE FOR REFERENCE ILLUSTRATION ONLY. MINIMUM FOUNDATION SIZES DEPEND ON LOCAL SOIL CONDITIONS, WEATHER CONDITIONS, AND ENGINEERING REQUIREMENTS.
- BOLLARD IS PROVIDED AS SHOWN, WITH PARTS LISTED BELOW. CONCRETE FOUNDATION AND/OR INSTALLATION NOT PROVIDED BY RELIANCE FOUNDRY.
- THIS DRAWING IS NOT DRAWN TO SCALE. DIMENSIONS PROVIDED HEREIN IS FOR REFERENCE ONLY. PLEASE CONSULT RELIANCE FOUNDRY SALES PROFESSIONALS IF ANY DIMENSION IS CRITICAL TO YOUR PARTICULAR INSTALLATION.
- RELIANCE FOUNDRY RESERVES THE RIGHT TO AMEND DESIGN AND SPECIFICATIONS WITHOUT PRIOR NOTICE FOR PRODUCT IMPROVEMENT.

RELIANCE FOUNDRY
SINCE 1925

Unit 207, 6450 - 148 Street, Surrey, BC V3S 7G7, Canada
1-877-789-3245 info@reliance-foundry.com
www.reliance-foundry.com

TITLE

R-1010-S10

PARTS LIST				
ITEM	QTY	PART NUMBER	DESCRIPTION	WEIGHT (LBS)
1	3	R-1010-S10	S10 FIXED BOLLARD ASSEMBLY	117

SIZE
C

DWG NO
R-1010-S10_01

REV
01A