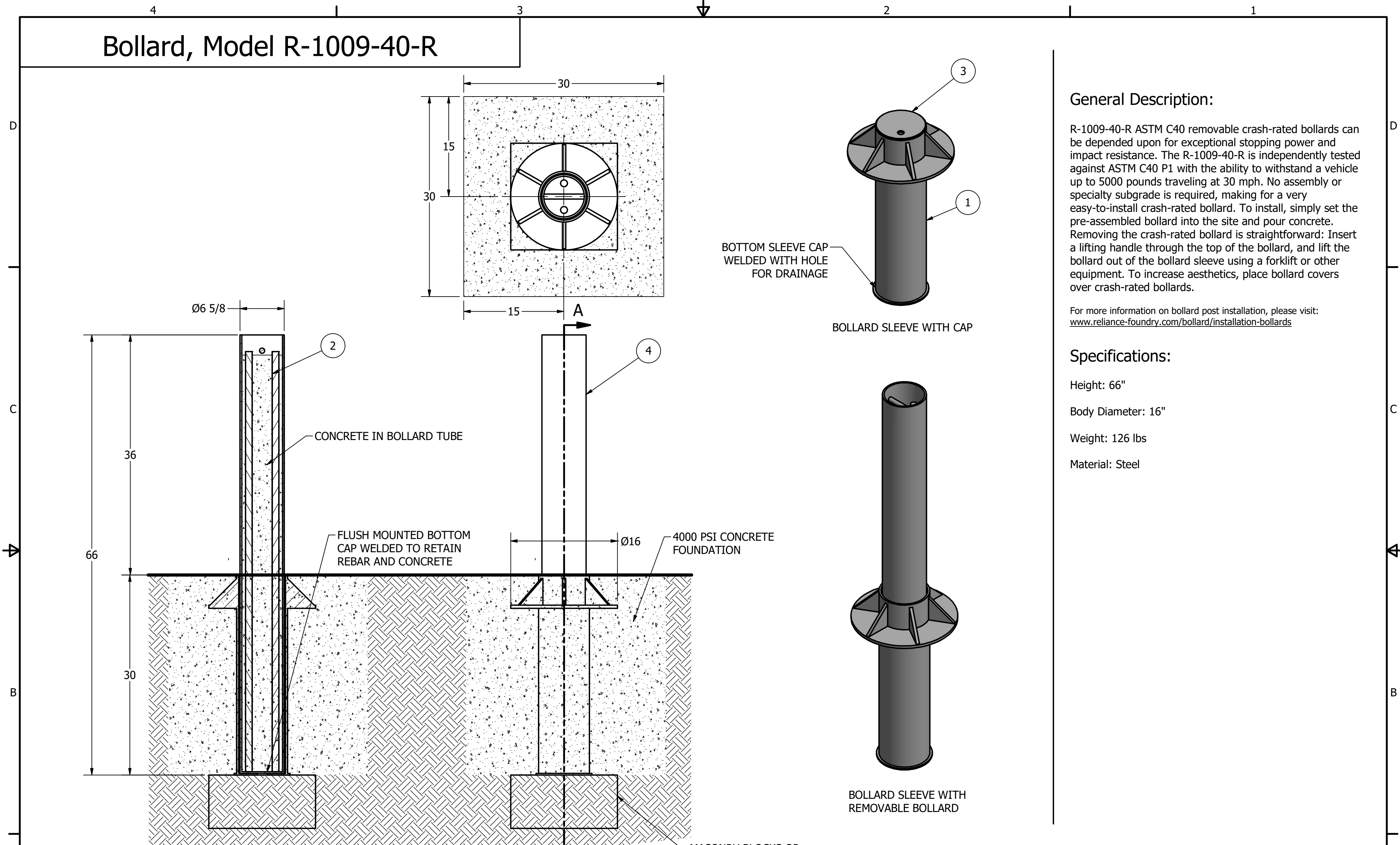


# Bollard, Model R-1009-40-R



**General Description:**

R-1009-40-R ASTM C40 removable crash-rated bollards can be depended upon for exceptional stopping power and impact resistance. The R-1009-40-R is independently tested against ASTM C40 P1 with the ability to withstand a vehicle up to 5000 pounds traveling at 30 mph. No assembly or specialty subgrade is required, making for a very easy-to-install crash-rated bollard. To install, simply set the pre-assembled bollard into the site and pour concrete. Removing the crash-rated bollard is straightforward: Insert a lifting handle through the top of the bollard, and lift the bollard out of the bollard sleeve using a forklift or other equipment. To increase aesthetics, place bollard covers over crash-rated bollards.

For more information on bollard post installation, please visit: [www.reliance-foundry.com/bollard/installation-bollards](http://www.reliance-foundry.com/bollard/installation-bollards)

**Specifications:**

Height: 66"  
 Body Diameter: 16"  
 Weight: 126 lbs  
 Material: Steel

- Notes:**
- Embedment details are for reference illustration only. Minimum foundation sizes depend on local soil conditions, weather conditions, and engineering requirements.
  - Bollard is provided as shown, with parts listed below. Concrete foundation and/or installation not provided by Reliance Foundry.
  - This drawing is not drawn to scale. Dimensions provided herein is for reference only. Please consult Reliance Foundry sales professionals if any dimension is critical to your particular installation.
  - Reliance Foundry reserves the right to amend design and specifications without prior notice for product improvement.

PARTS LIST			
ITEM	QTY	PART NUMBER	DESCRIPTION
1	1	R-1009-40-R Removable Sleeve	R-1009-40-R Removable Sleeve
2	2	REBAR 62	REBAR 1IN OD, 62IN LENGTH
3	1	R-1009-40-R Cap	R-1009-40-R Cap
4	1	R-1009-40-R Removable Bollard	R-1009-40-R Removable Bollard

**RELIANCE FOUNDRY**  
— SINCE 1925 —

Unit 207, 6450 - 148 Street, Surrey, BC V3S 7G7, Canada  
 1-877-789-3245 info@reliance-foundry.com  
[www.reliance-foundry.com](http://www.reliance-foundry.com)

TITLE  
**Bollard R-1009-40-R**

SIZE <b>C</b>	DWG NO <b>R-1009-40-R_public</b>	REV <b>A</b>
------------------	-------------------------------------	-----------------

NOT TO SCALE SHEET 1 OF 1