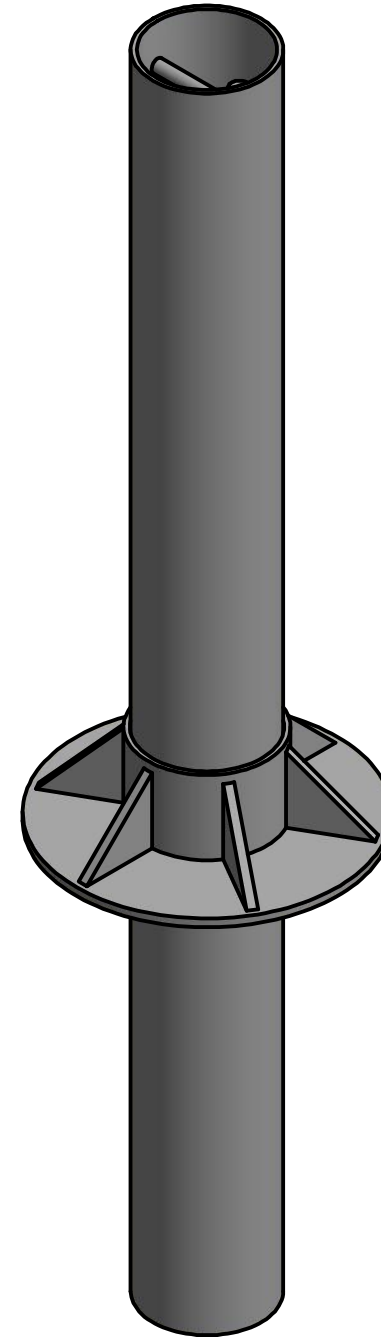
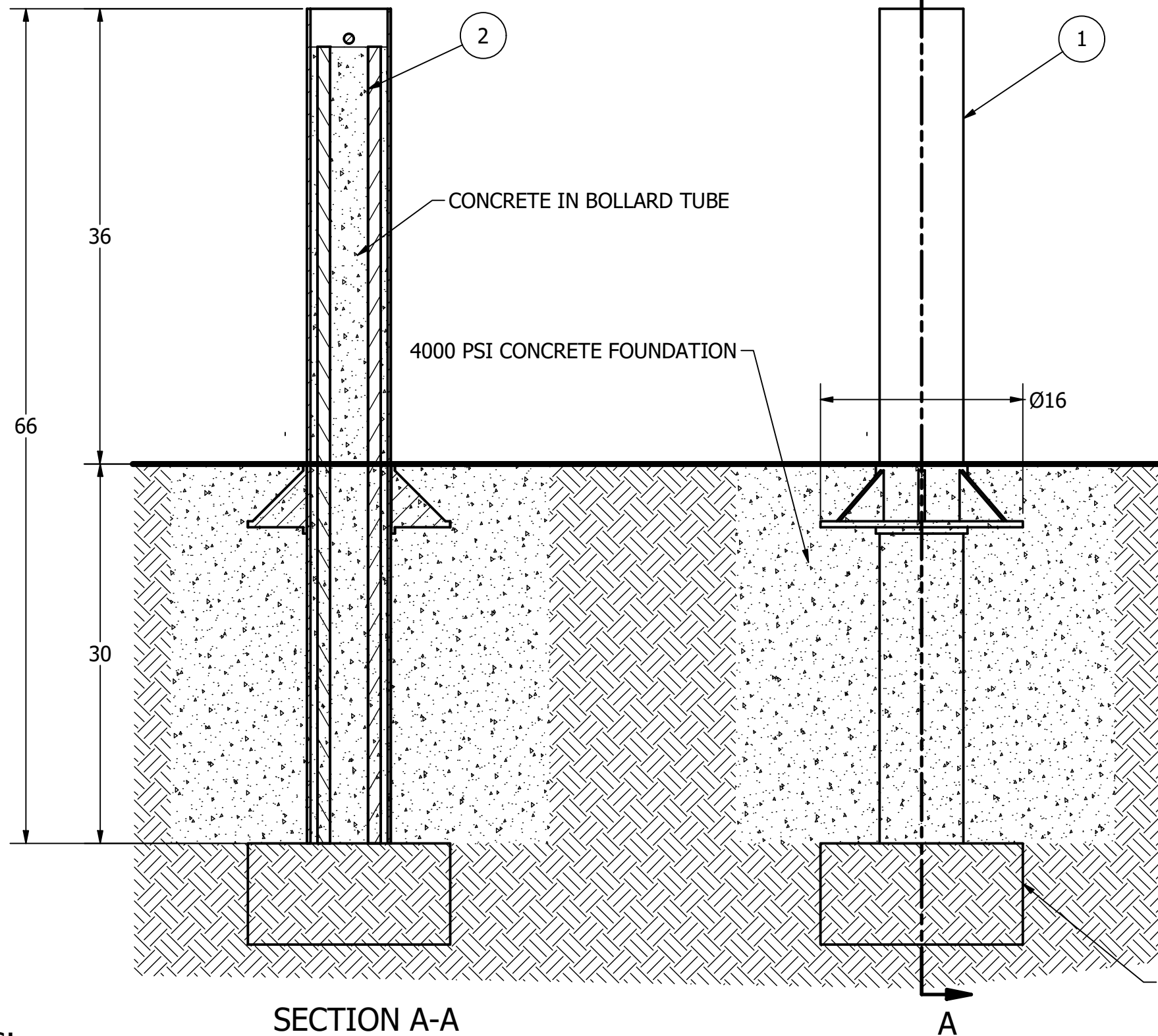
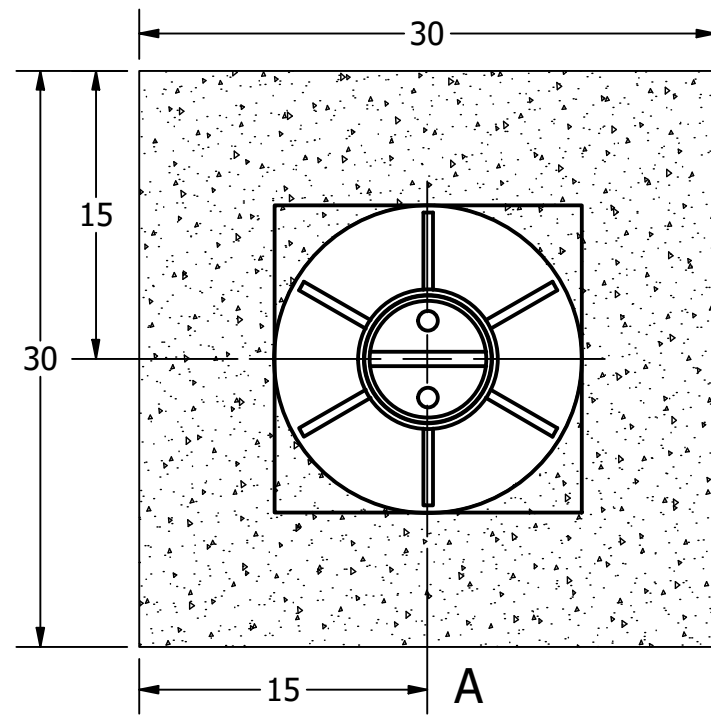


Bollard, Model R-1009-40



General Description:

ASTM's standard test method for perimeter barriers designates R-1009-40 C40 as the rating for a barrier that stops a 2,430 pound vehicle moving at 40 miles per hour. It's tested with a compact-car equivalent test vehicle.

Many parking lots have curbs, speed bumps, or parking stops, and are generally busy. In these conditions, the average vehicle speed is slow. Many parking lots install R-1009-40 C40 bollards, as they will generally be enough to stop accidents caused by driver inattention, medical issue, or pedal confusion. Similarly, if there very few straight segments where a car can pick up speed, and if the area is inaccessible to large vehicles, the R-1009-40 C40 can be used in front of storefronts against ram-raid attack

For more information on bollard post installation, please visit: www.reliance-foundry.com/bollard/installation-bollards

Specifications:

Height: 64 1/2"

Body Diameter: 16"

Weight: 126 lbs

Material: Steel

Notes:

- Embedment details are for reference illustration only. Minimum foundation sizes depend on local soil conditions, weather conditions, and engineering requirements.
- Bollard is provided as shown, with parts listed below. Concrete foundation and/or installation not provided by Reliance Foundry.
- This drawing is not drawn to scale. Dimensions provided herein is for reference only. Please consult Reliance Foundry sales professionals if any dimension is critical to your particular installation.
- Reliance Foundry reserves the right to amend design and specifications without prior notice for product improvement.

SECTION A-A

MASONRY BLOCKS OR CHAIRS TO ELEVATE BOLLARD OFF SUBGRADE

RELIANCE FOUNDRY
SINCE 1925

Unit 207, 6450 - 148 Street, Surrey, BC V3S 7G7, Canada
1-877-789-3245 info@reliance-foundry.com
www.reliance-foundry.com

TITLE

Bollard R-1009-40

PARTS LIST			
ITEM	QTY	PART NUMBER	DESCRIPTION
1	1	R-1009-40	Bollard R-1009-40 C40
2	2	REBAR 63	REBAR 1IN OD, 63IN LENGTH

SIZE
C

DWG NO
R-1009-40_public

REV
A