

Bollard, Model R-1009-12



General Description:

R-1009-12 ASTM M50 crash-rated bollards create safer public spaces by protecting pedestrians and storefronts from vehicle intrusion. The M50 crash-rated bollard is certified to ASTM F2656 (M50-P2), stopping a 15,000-pound vehicle traveling at 50 mph. Straight-forward installation means no bolting, tying, or assembly required. Prefabricated bollards can be set into the excavation easily; no specialty subgrade required. Select from a variety of bollard covers to enhance aesthetics. Removable options available.

For more information on bollard post installation, please visit: www.reliance-foundry.com/bollard/installation-bollards

Specifications:

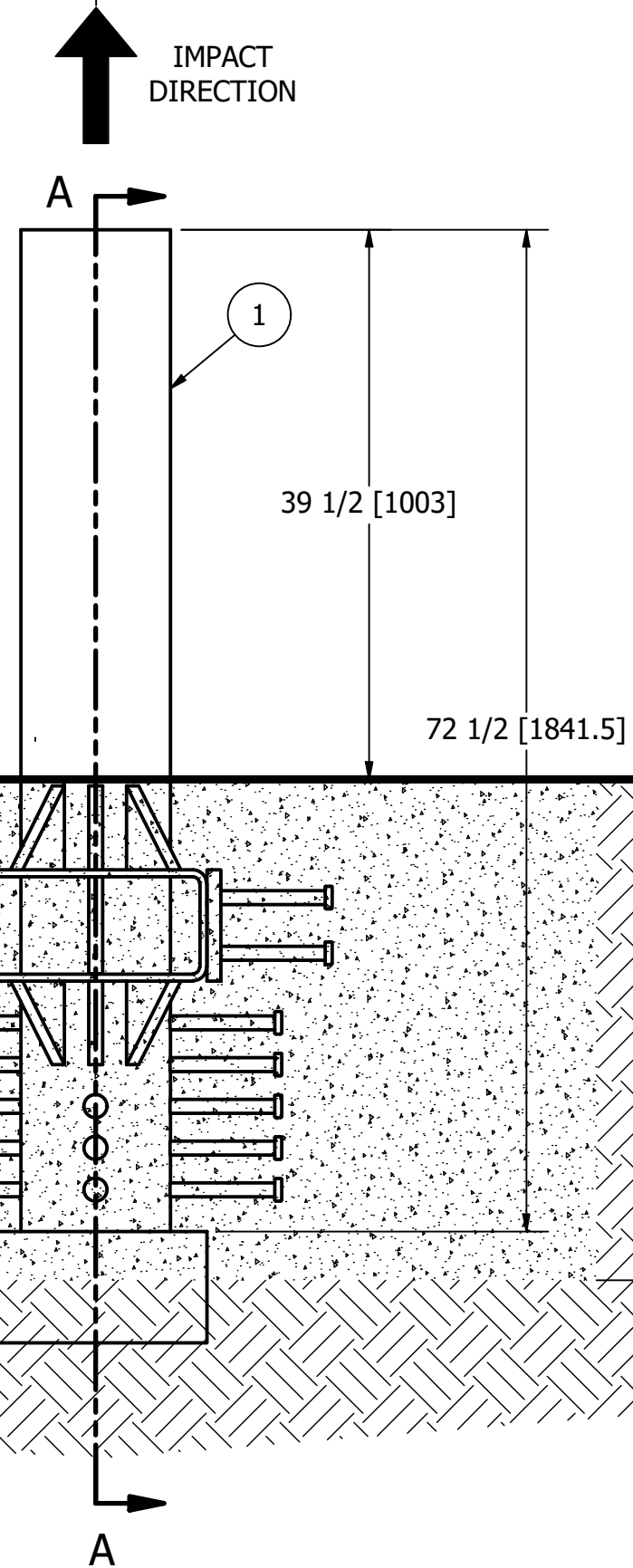
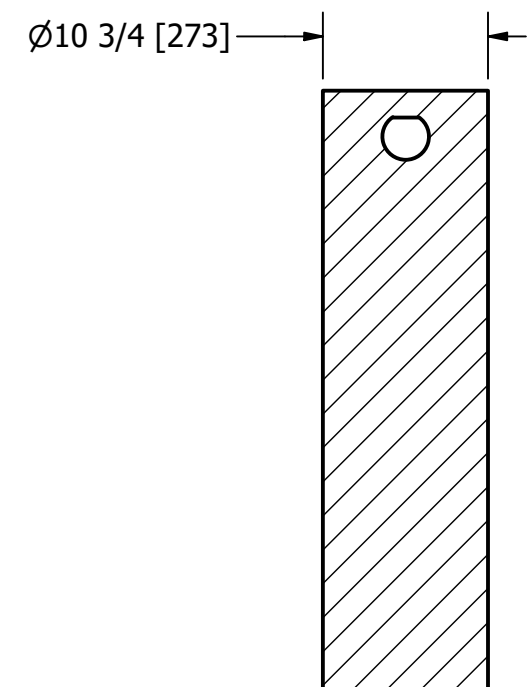
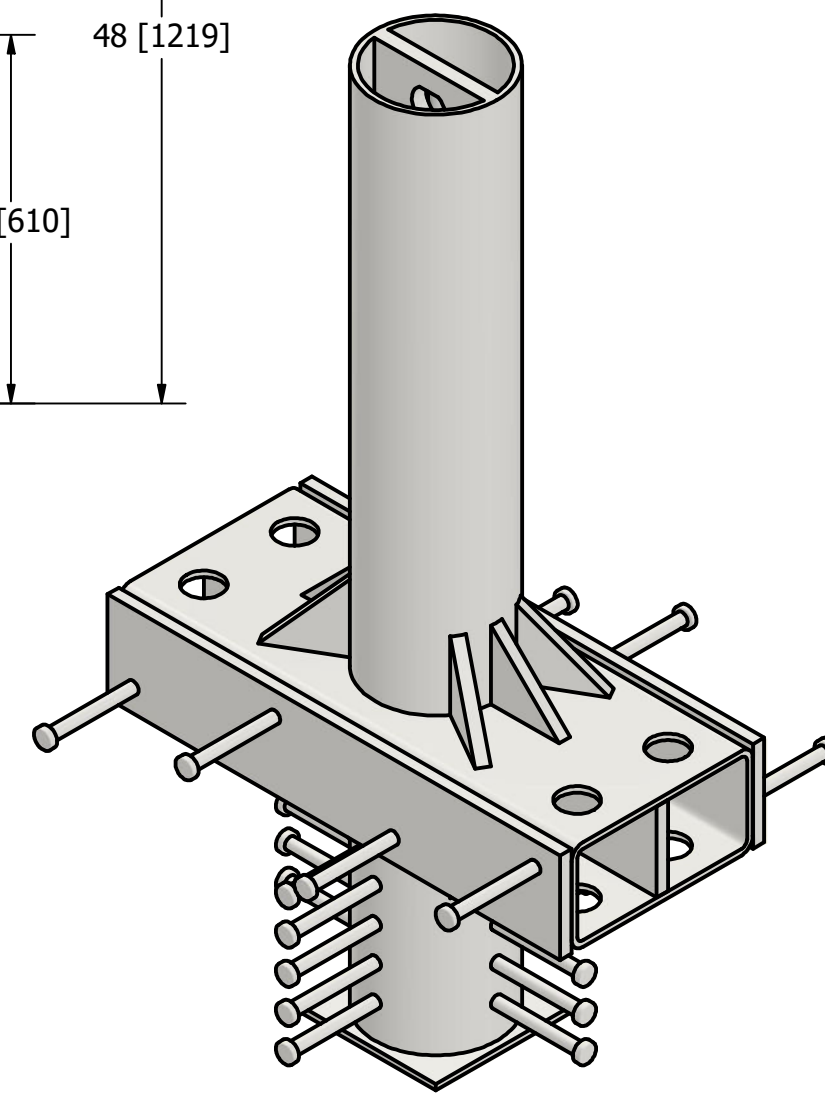
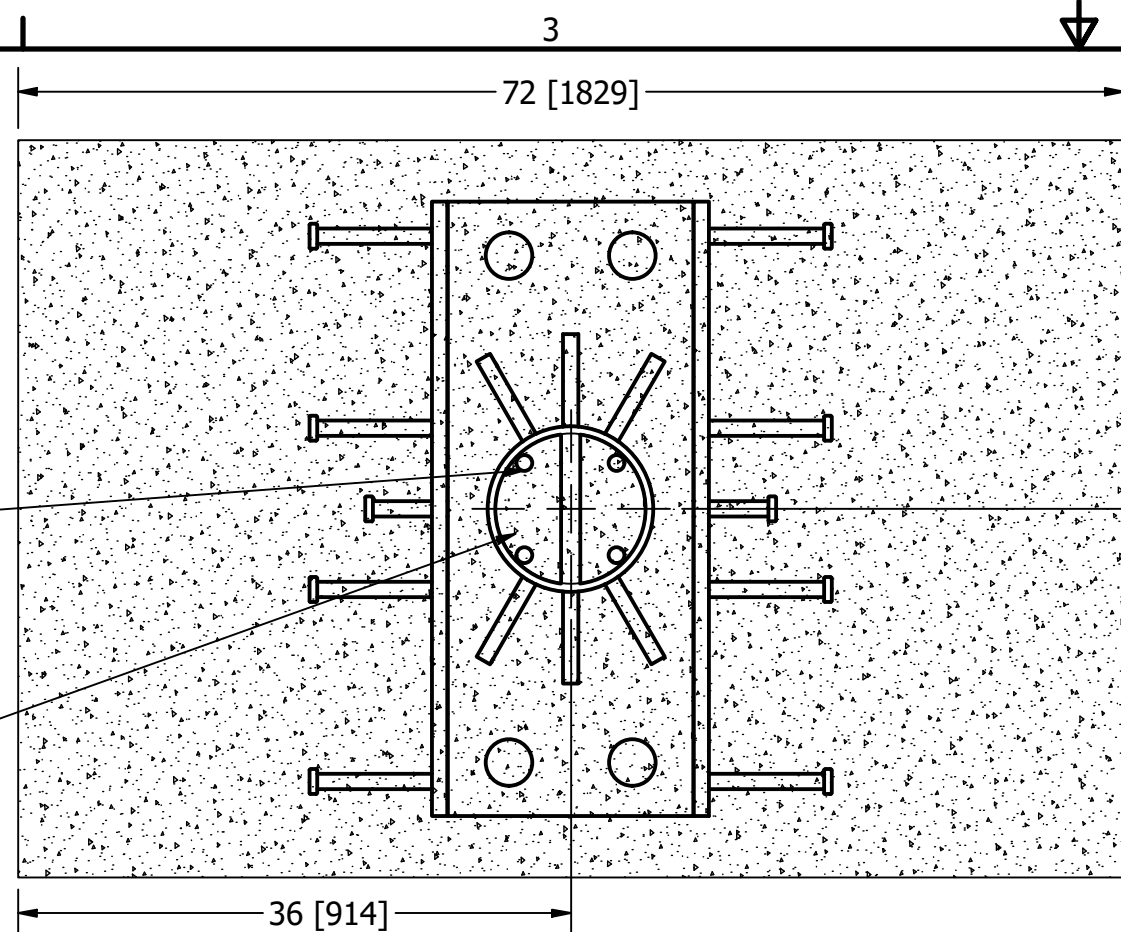
Height: 72 1/2" [1841.5mm] (total)

Height: 39 1/2" [1003mm] (above grade)

Body Size: 40" X 34" [1016mm X 864mm]

Weight: 1257 lbs

Material: Steel



4000 PSI CONCRETE FOUNDATION

SECTION A-A

- Notes:**
- Embedment details are for reference illustration only. Minimum foundation sizes depend on local soil conditions, weather conditions, and engineering requirements.
 - Bollard is provided as shown, with parts listed below. Concrete foundation and/or installation not provided by Reliance Foundry.
 - This drawing is not drawn to scale. Dimensions provided herein is for reference only. Please consult Reliance Foundry sales professionals if any dimension is critical to your particular installation.
 - Reliance Foundry reserves the right to amend design and specifications without prior notice for product improvement.

PARTS LIST			
ITEM	QTY	PART NUMBER	DESCRIPTION
1	1	R-1009-12	R-1009-12 K12 CRUSH BOLLARD
2	4	Rebar	#8 Rebar 1in OD x 68in Long (Included with Bollard)

RELIANCE FOUNDRY
SINCE 1925

Unit 207, 6450 - 148 Street, Surrey, BC V3S 7G7, Canada
1-877-789-3245 info@reliance-foundry.com
www.reliance-foundry.com

Bollard R-1009-12

SIZE	DWG NO	REV
C	R-1009-12_public	A04