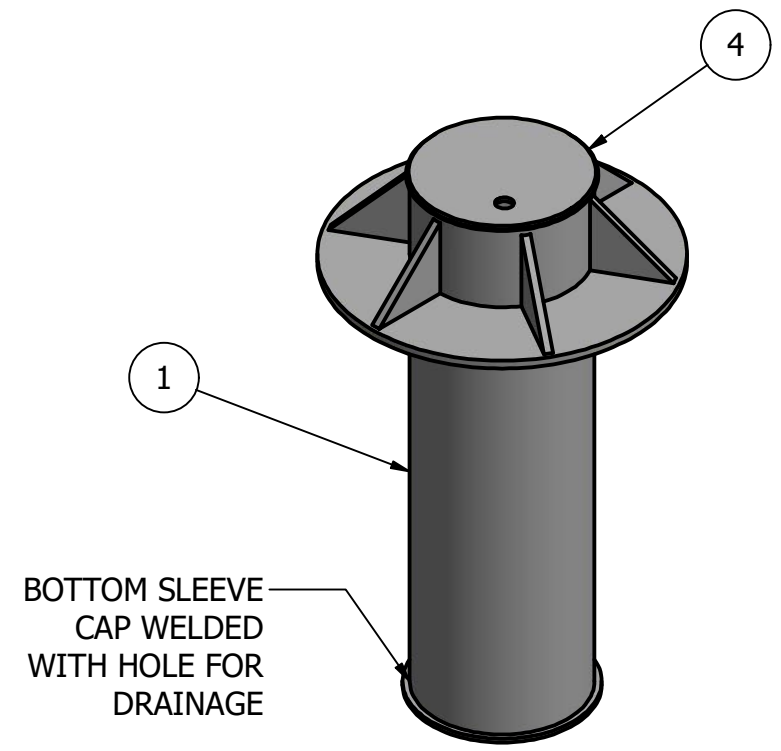
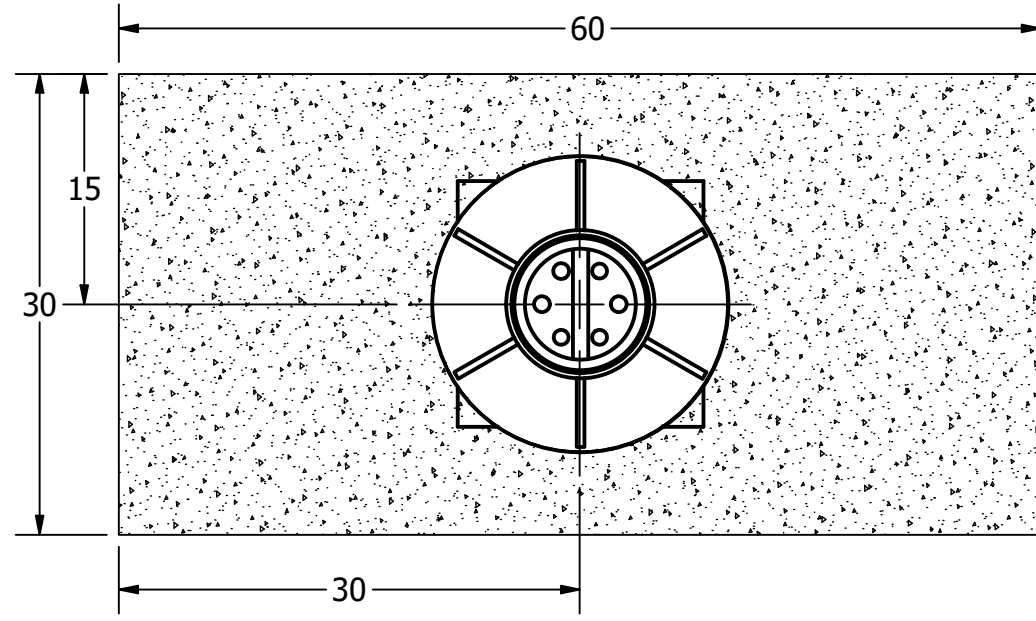
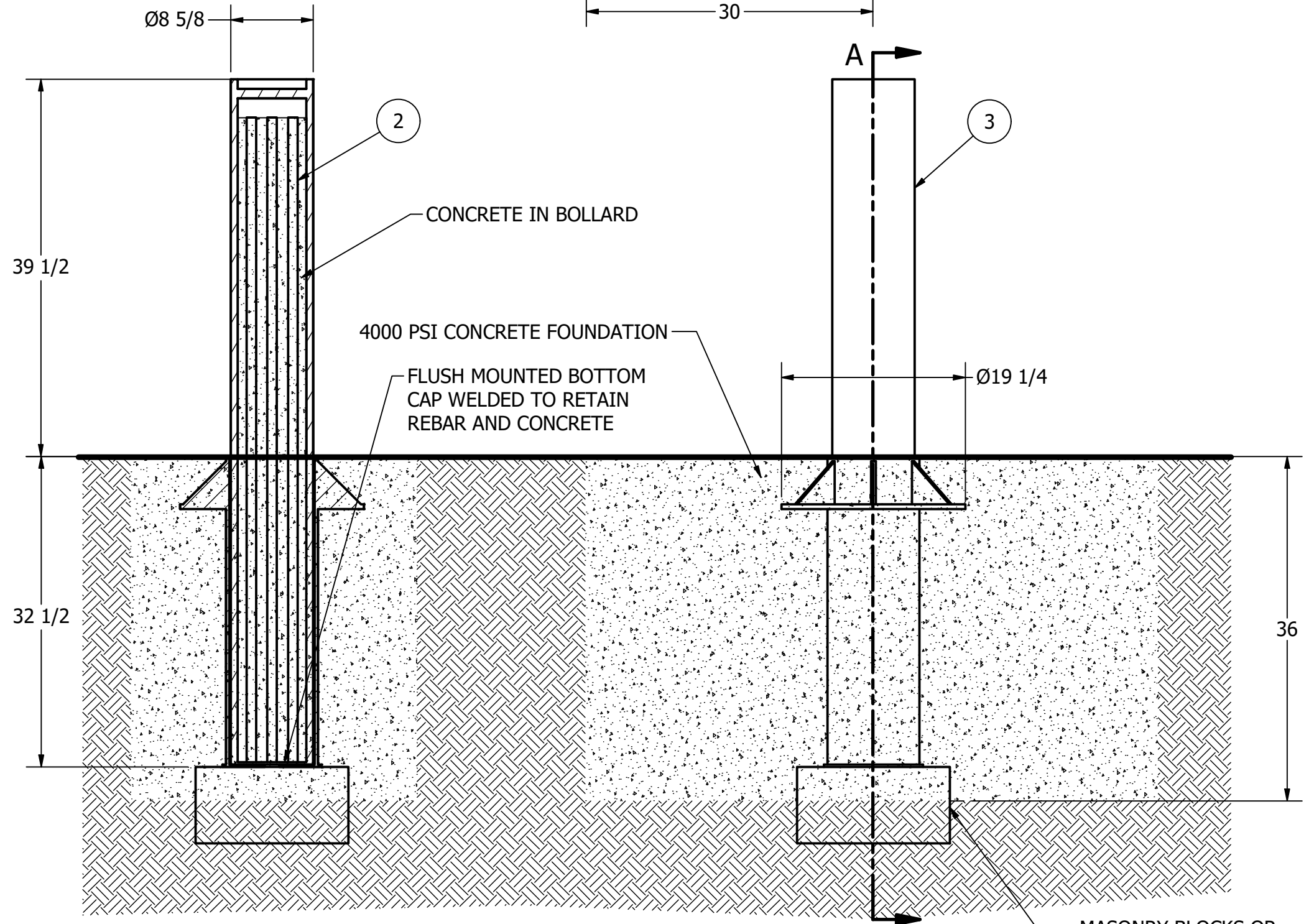


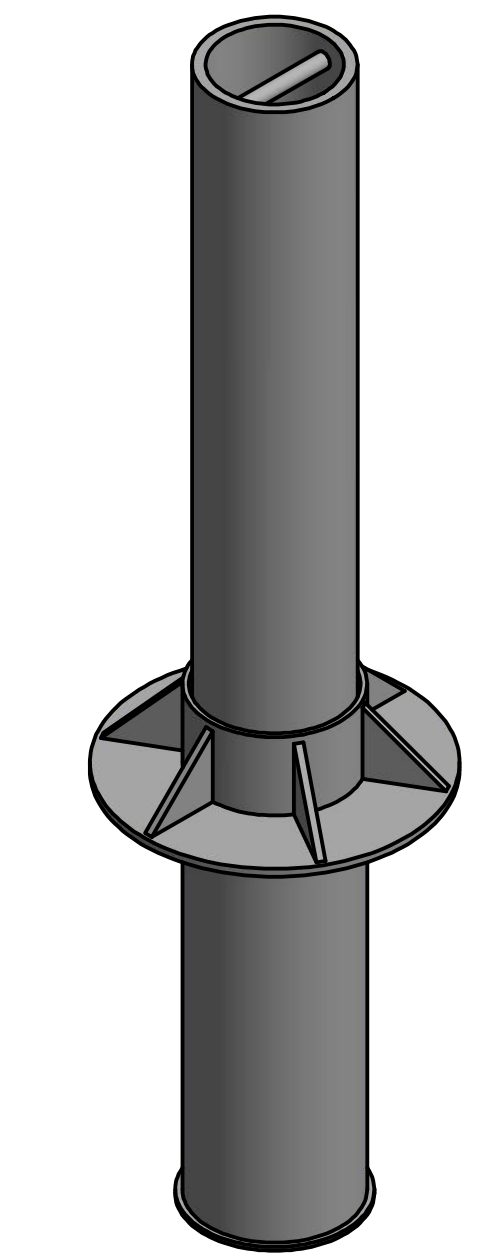
Bollard, Model R-1009-04-R



BOLLARD SLEEVE WITH CAP



SECTION A-A



REMOVABLE BOLLARD INSTALLED IN BOLLARD SLEEVE

General Description:

R-1009-04-R ASTM M30 crash-rated bollards by Reliance Foundry can be relied upon to stop dangerous vehicle intrusion into pedestrian-friendly zones. This anti-ram bollard is certified to ASTM F2656-07 M30 P1 with the ability to stop a 15,000-pound vehicle travelling at 30 mph. Although crash-rated, installing these security bollards is simple and convenient—no assembly or specialty subgrade required. Crash-rated bollards ship pre-assembled and will not require any welding or bolting. Removing the bollard is easy; simply insert a lifting handle through the top of the bollard and use a forklift to lift the bollard out of the bollard sleeve. Consider decorative covers to enhance aesthetics.

For more information on bollard post installation, please visit: www.reliance-foundry.com/bollard/installation-bollards

Specifications:

- Height: 72"
- Body Diameter: 19 1/2"
- Weight: 420 lbs
- Material: Steel

Notes:

- Embedment details are for reference illustration only. Minimum foundation sizes depend on local soil conditions, weather conditions, and engineering requirements.
- Bollard is provided as shown, with parts listed below. Concrete foundation and/or installation not provided by Reliance Foundry.
- This drawing is not drawn to scale. Dimensions provided herein is for reference only. Please consult Reliance Foundry sales professionals if any dimension is critical to your particular installation.
- Reliance Foundry reserves the right to amend design and specifications without prior notice for product improvement.

PARTS LIST			
ITEM	QTY	PART NUMBER	DESCRIPTION
1	1	R-1009-04-R Removable Sleeve	R-1009-04-R Removable Sleeve
2	6	Rebar 68	Rebar 1in OD, 68in Length
3	1	R-1009-04-R Removable Bollard	R-1009-04-R Removable Bollard
4	1	R-1009-04-R Bollard Cap	R-1009-04-R Bollard Cap

RELIANCE FOUNDRY
SINCE 1925

Unit 207, 6450 - 148 Street, Surrey, BC V3S 7G7, Canada
1-877-789-3245 info@reliance-foundry.com
www.reliance-foundry.com

TITLE			
Bollard R-1009-04-R			
SIZE	DWG NO	REV	
C	R-1009-04_public removable	A	
NOT TO SCALE		SHEET 1 OF 1	