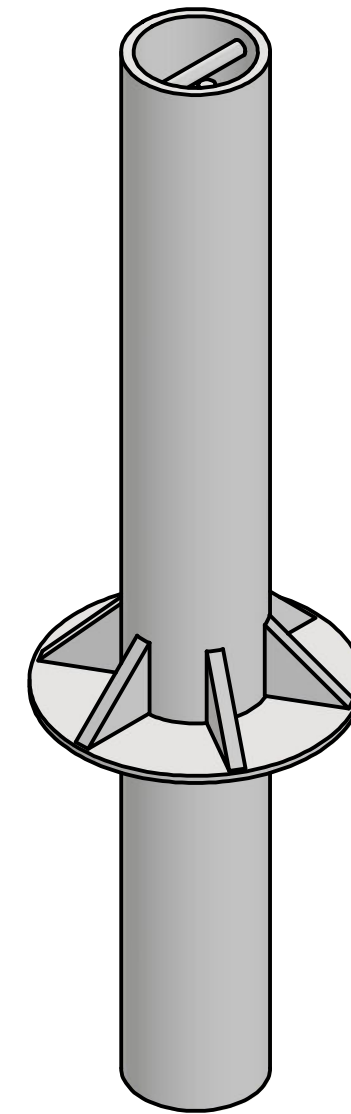
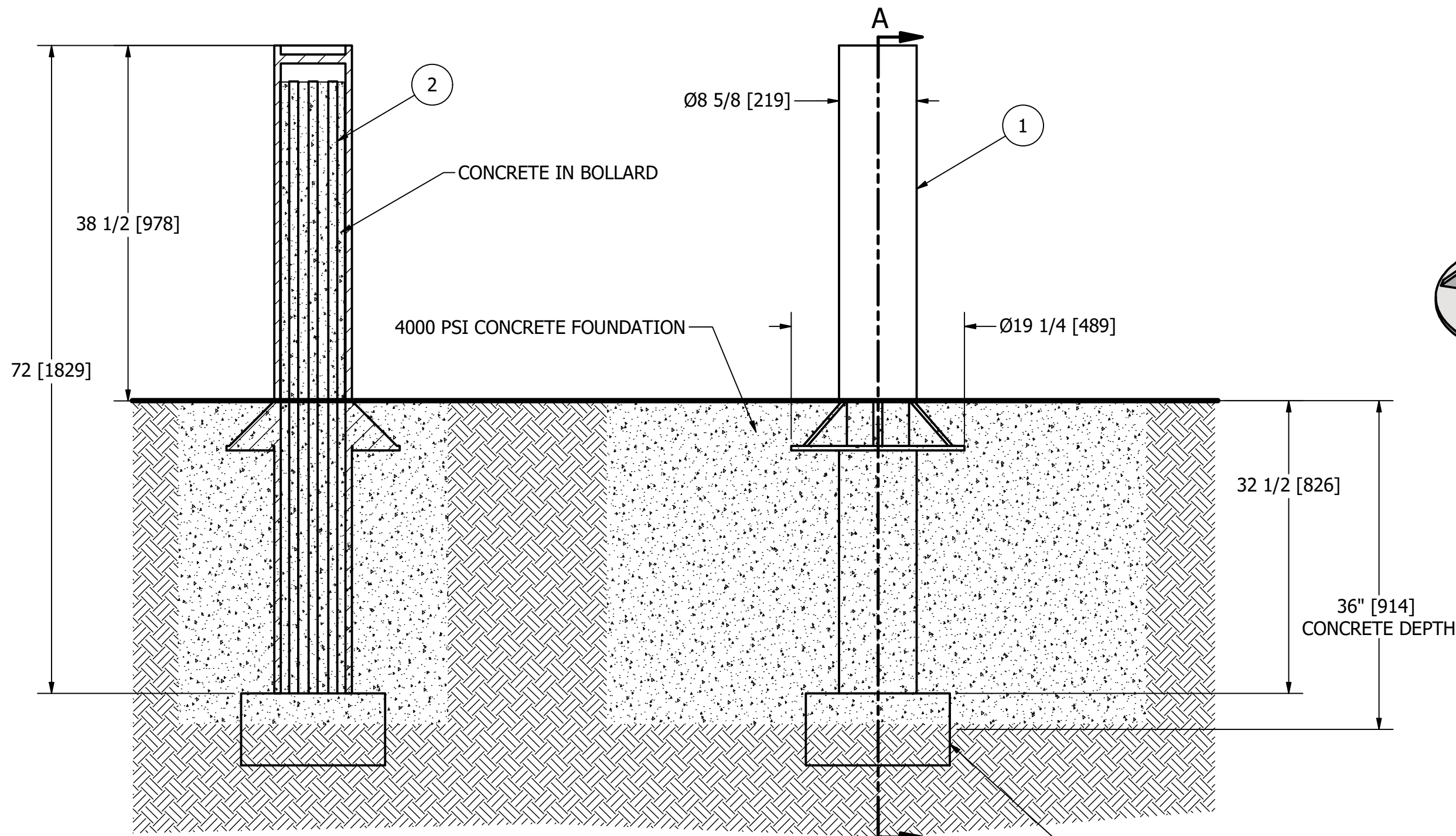
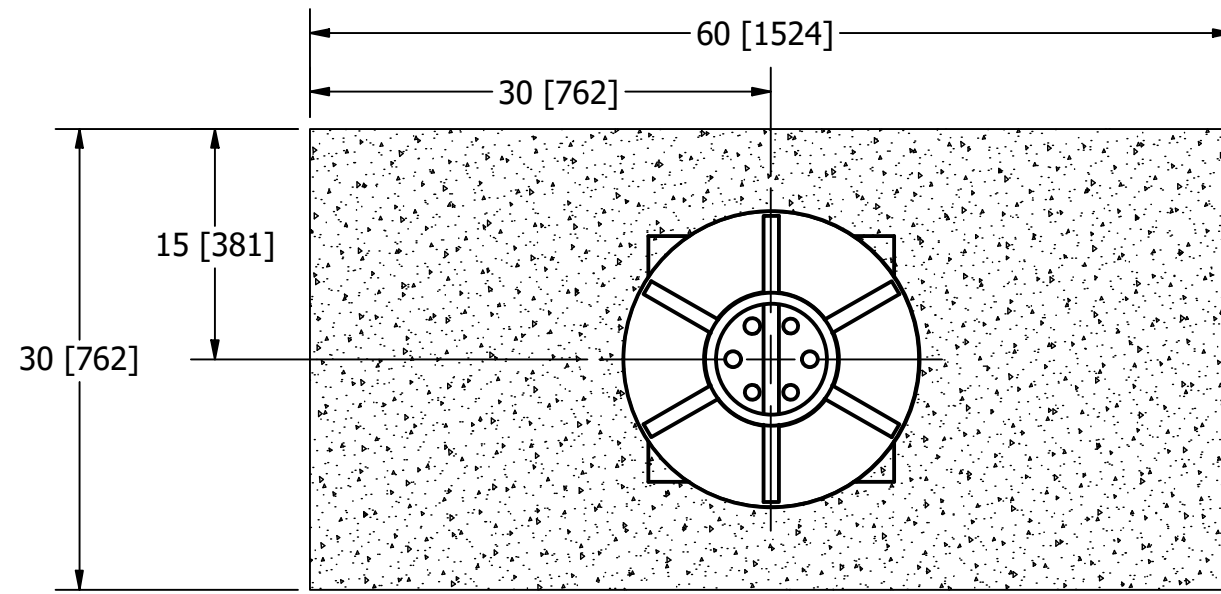


Bollard, Model R-1009-04



PATRIOT
BUY AMERICA

General Description:

Reliance Foundry's R-1009-04 ASTM M30 crash-rated bollards can be counted on to stop dangerous vehicle intrusion into pedestrian areas. This anti-ram bollard is certified to ASTM F2656-07 M30 P1 with the capacity to stop a 15,000-pound vehicle traveling at 30 mph. Although crash-rated, installation of these security bollards is convenient and easy, with no assembly or specialty subgrade required. Crash-rated bollards ship pre-assembled and do not require any welding or bolting. 6 pieces of #6 rebar come included with the bollard to be installed inside the bollard pipe. Removable options available, as well as decorative covers to enhance aesthetics.

For more information on bollard post installation, please visit: www.reliance-foundry.com/bollard/installation-bollards

Specifications:

Total Height: 72" [1829]

Height above grade: 38 1/2" [978]

Height below grade: 32 1/2" [826]

Body Diameter: 19 1/4" [489]

Weight: 420 lbs [191 kg]

Material: Steel

Notes:

- Embedment details are for reference illustration only. Minimum foundation sizes depend on local soil conditions, weather conditions, and engineering requirements.
- Bollard is provided as shown, with parts listed below. Concrete foundation and/or installation not provided by Reliance Foundry.
- This drawing is not drawn to scale. Dimensions provided herein is for reference only. Please consult Reliance Foundry sales professionals if any dimension is critical to your particular installation.
- Reliance Foundry reserves the right to amend design and specifications without prior notice for product improvement.

SECTION A-A

PARTS LIST				
ITEM	QTY	PART NUMBER	DESCRIPTION	WEIGHT (lbs)
1	1	R-1009-04 K4	Bollard R-1009-04 K4	420
2	6	Rebar Size #6	#6 Rebar x 68in Long (Included with Bollard)	8.5

RELIANCE FOUNDRY
SINCE 1925

Unit 207, 6450 - 148 Street, Surrey, BC V3S 7G7, Canada
1-877-789-3245 info@reliance-foundry.com
www.reliance-foundry.com

TITLE

Bollard R-1009-04

SIZE
C

DWG NO
R-1009-04_public

REV
A05