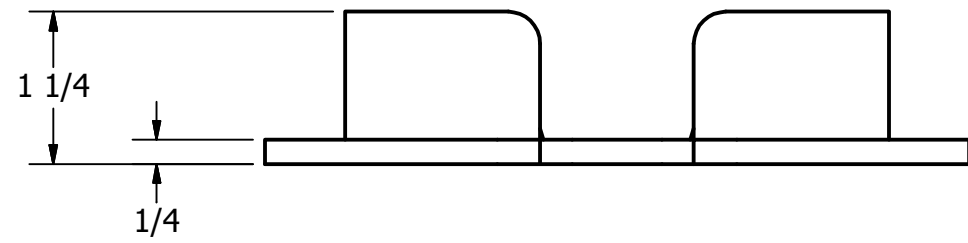
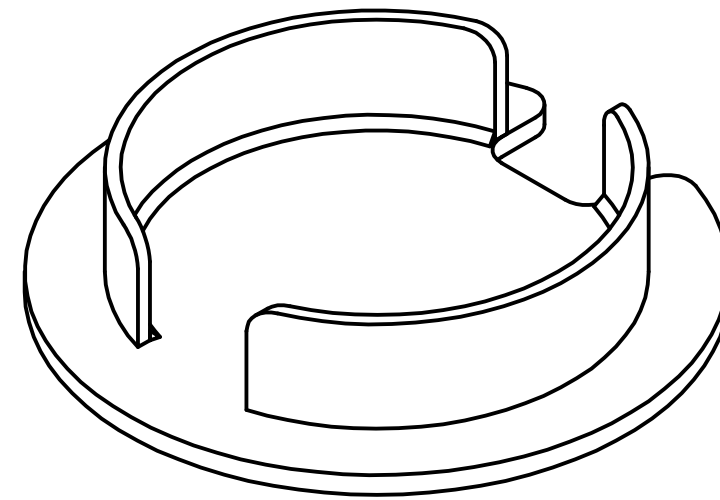
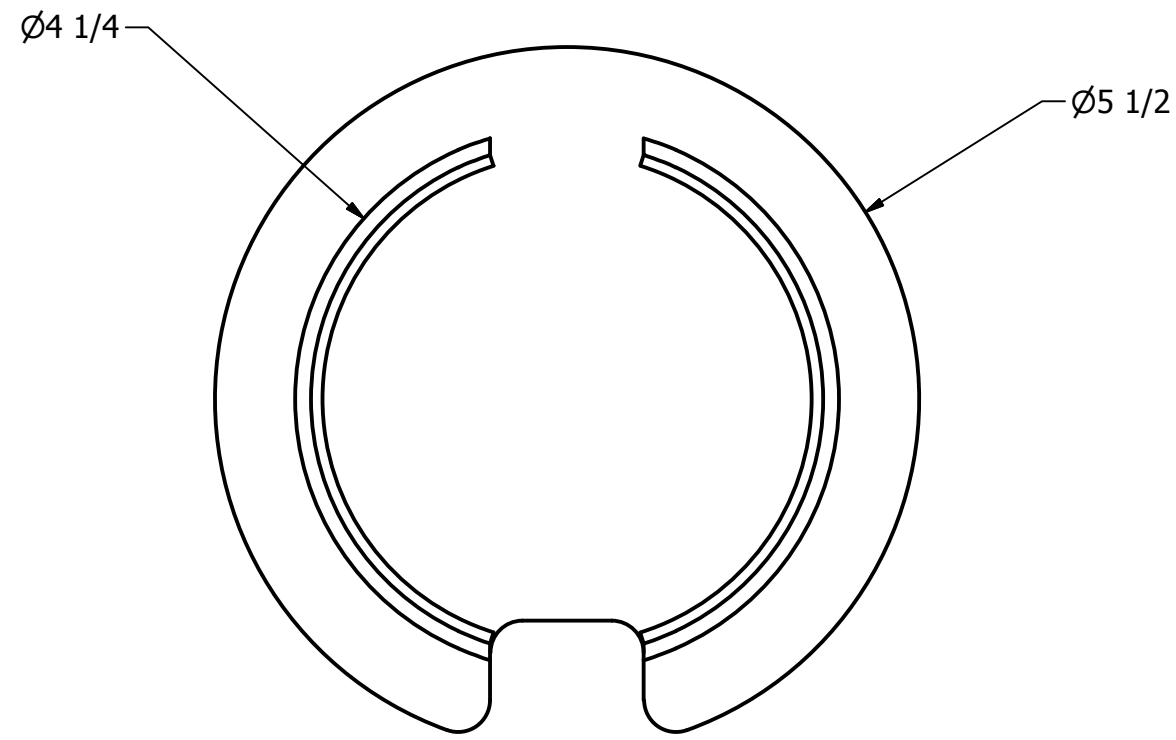


Stainless Steel Mounting Cover



General Description:

Mounting covers can be used with removable bollard receivers when posts are removed. Stainless steel lids conceal internal housings, prevent collection of dust and debris, and help avoid hazards from tripping and obstruction. Lids can be used with stainless steel and galvanized steel receivers.

For more information on bollard post installation, please visit: <http://www.reliance-foundry.com/bollard/installation-bollards>

Specifications:

Height: 1-1/4"

Base Diameter: 5-1/2"

Weight: 1.5 lbs

Material: Stainless Steel

Max. Interior Security Post Size:
Diameter: 4-5/16"

Finish Options:

✓ Stainless Steel

See Reliance Foundry's standard color options at <http://www.reliance-foundry.com/bollard/colors-bollards>

Notes:

- Embedment details are for reference illustration only. Minimum foundation sizes depend on local soil conditions, weather conditions, and engineering requirements.
- Bollard post is provided as shown, with material detailed in legend below. Concrete, foundation and/or installation ordered separately or provided by others.
- This drawing is not drawn to scale. Dimensions provided herein is for reference only. Please consult Reliance Foundry sales professionals if any dimension is critical to your particular installation.
- Reliance Foundry reserves the right to amend design and specifications without prior notice for product improvement.

RELIANCE FOUNDRY
SINCE 1925

Unit 207, 6450 - 148 Street, Surrey, BC V3S 7G7, Canada
1-888-735-5680 info@reliance-foundry.com
<http://www.reliance-foundry.com>

TITLE

Stainless Steel Mounting Cover

| | | |
|------|--------|-----|
| SIZE | DWG NO | REV |
| C | 0217-5 | B |