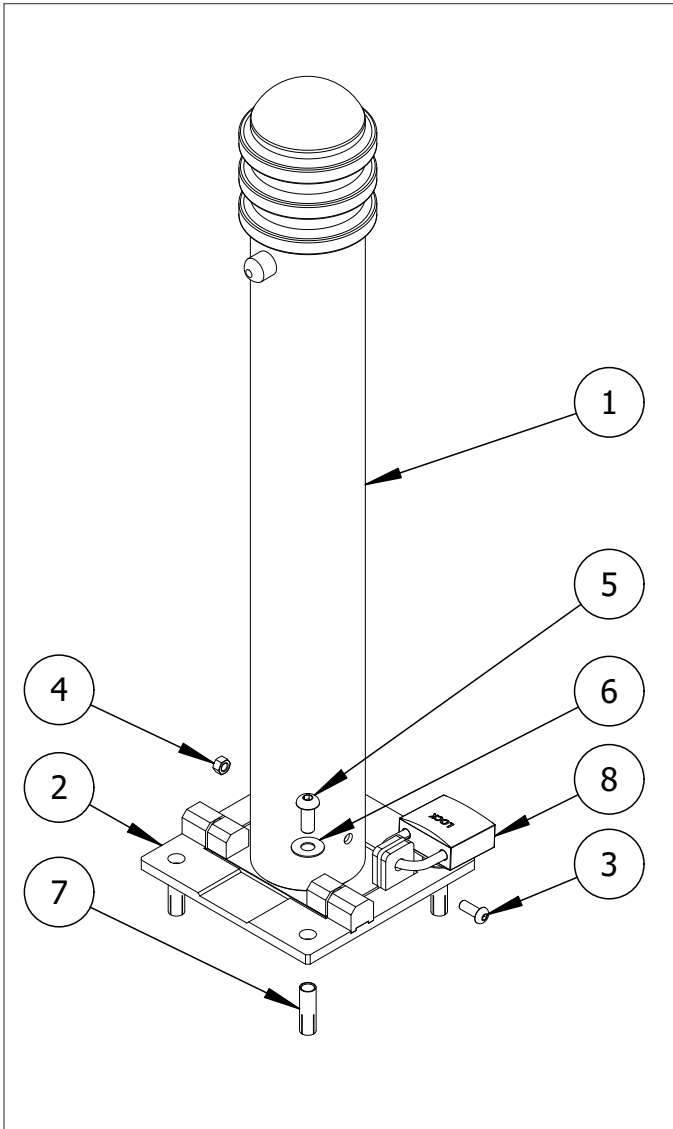


Collapsible Bollard Installation


Fold-Down Mounting


Bollards shown in the diagrams may not be the same model as the bollards shipped in this order. This does not affect the integrity of the installation.




Installation Equipment

5/8" Masonry Drill Bit	Hammer
1/2" Insert Setting Tool	Hammer Drill or Rotary Hammer
9/16" Wrench	Broom/Pressure Washer
5/16" Hex Key	Vacuum
7/32" Hex Key	Level
Chalk	Measuring Tape

- 
To protect the finish, keep bollards in original packaging until exact moment of installation.

- 
Handle with care to avoid scratching or damaging bollard surfaces.

- 
Once scratched, bollards cannot be repaired to original form without re-finishing the entire surface.

Parts List

#	PART	QTY
1	Fold-Down Bollard	1
2	Fold-Down Base	1
3	Hexagon Socket Button Head Cap Bolt 3/8"	2
4	Hex Nut Nylon Lock 3/8"	2
5	Hexagon Socket Button Head Cap Bolt 1/2"	4
6	Stainless Steel Washer 1/2"	4
7	Drop-in Concrete Insert 1/2"	4
8	Padlock (optional)	1

Before Installation

STEP 1: Always check for hazards such as water pipes, gas lines, and underground wiring before digging.

STEP 2: Use a broom or pressure washer to clean the concrete surface prior to bollard installation.

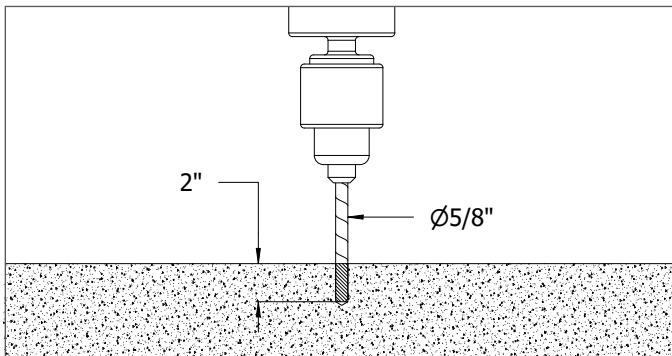
STEP 3: Study the site plans to locate and mark the precise center point of each bollard. For secure installation, ensure there is a minimum radius* of solid concrete around each mark.

* Concrete insert manufacturers such as www.ucanfast.com recommend a radius of 9"

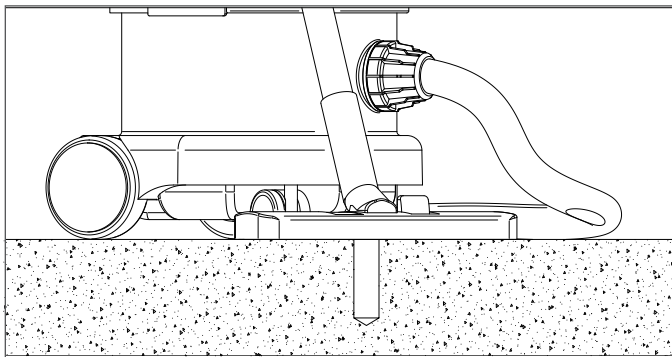
Collapsible Bollard Installation

Fold-Down Mounting

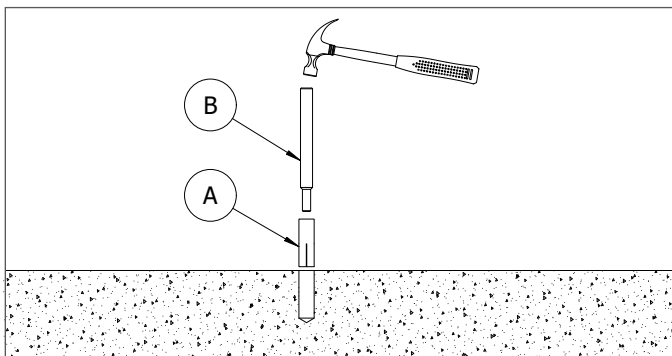
STEP 8



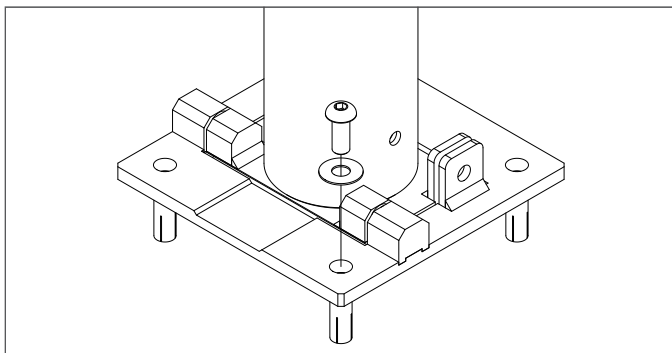
STEP 9



STEP 10



STEP 12



STEP 4: Place the fold-down base over each center point marking so that the base's middle coincides with the center point.

STEP 5: Use chalk to create drill-markings for each bolt. For secure installation, ensure there is a minimum radius* of solid concrete around each hole for the drop-in insert. Remove the base. *Note: Be sure to make any necessary adjustments to the orientation now. Once drilled and installed, there is no way to reposition the base.*

Drill the Holes

STEP 6: Tap a pilot divot hole in the center of each mark.

STEP 7: Set the depth control on the hammer drill (or rotary hammer) to 2". If depth control is not available, mark 2" on the masonry bit.

STEP 8: Drill a hole that has a 5/8" diameter and 2" depth. Drill on high speed, using the hammer function if available.

Secure the Fold-Down Base

STEP 9: Clear the hole of all debris and/or standing water using the vacuum.

STEP 10: Tap the drop-in insert **(A)** into the hole with the slotted end facing down, and drive it down until its top sits flush with the concrete surface. Insert a setting tool **(B)** into the threaded hole, then hammer down. This will cause the internal expansion plug to set the concrete insert in place. *Note: If a proper setting tool is not available, an equivalent flat-end punch can be used.*

STEP 11: Carefully set the fold-down base over the installation position so that the base's bolt holes are directly on top of the drilled holes and concrete inserts.

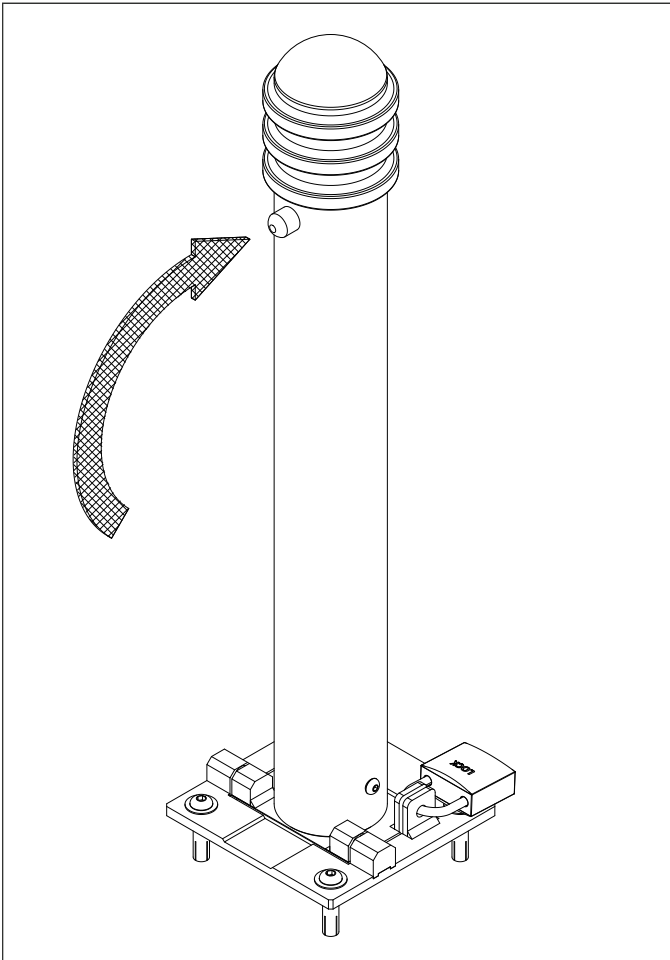
STEP 12: Place the washers over the holes on the fold-down base and set the bolts into place.

* Concrete insert manufacturers such as www.ucanfast.com recommend a radius of 9"

<model> Collapsible Bollard Installation

Fold-Down Mounting

STEP 14



STEP 13: Use a hex key to tighten the bolts until secure. Tighten bolts evenly in a crisscross pattern.

STEP 14: Place the bollard in an upright position and attach the padlock to the fold-down base.



Inspect the installation. Abrasions should be covered as soon as possible. For damage repair or other servicing needs, please contact Reliance Foundry's sales department.