

Before Installation

- **Check for hazards:** Always check for hazards such as water pipes, gas lines, and underground wiring before drilling. All applicable sites and safety codes should be followed.
- **Clean the surface:** Dirt and debris can affect the line of sight and disrupt placement of the bike racks. Use a broom or pressure washer to clean the concrete surface prior to installation.
- **Study the site plans:** The project's architect creates site plans. Refer to site plans to locate and mark precise center points of each bollard. Ensure sure that the electrical conduit with the site connection point is positioned underneath the bollard. For secure installation, ensure there is a minimum radius of solid concrete around each mark.
- **Designate your hole marking:** Use the bollard base and chalk to mark the centre points of each drop-in anchor. Make sure the centre of the base coincides with bollard's center point marked on the concrete surface.

Parts List

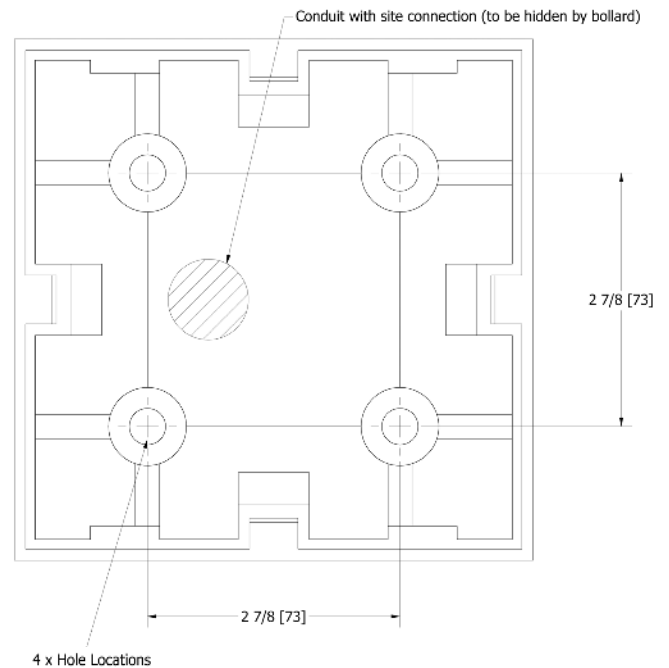
| # | PART | QTY |
|----|-------------------------------------|-----|
| 1 | R-9835 Lighted Bollard body | 1 |
| 2 | R-9835 Lighted Bollard base | 1 |
| 3a | 3/8" x 3 1/2" Concrete wedge anchor | 4 |
| 3b | 3/8" Washer | 4 |
| 3c | 3/8" Hex nut | 4 |
| 4 | #10-24 Pan head screw | 4 |

Installation Equipment

| | |
|---|-----------------------|
| Broom/pressure washer | Phillips screw driver |
| Chalk | Vacuum |
| 3/8" wrench | Level |
| Measuring Tape | Hammer |
| Hammer drill or rotary hammer with 3/8" masonry drill bit | |

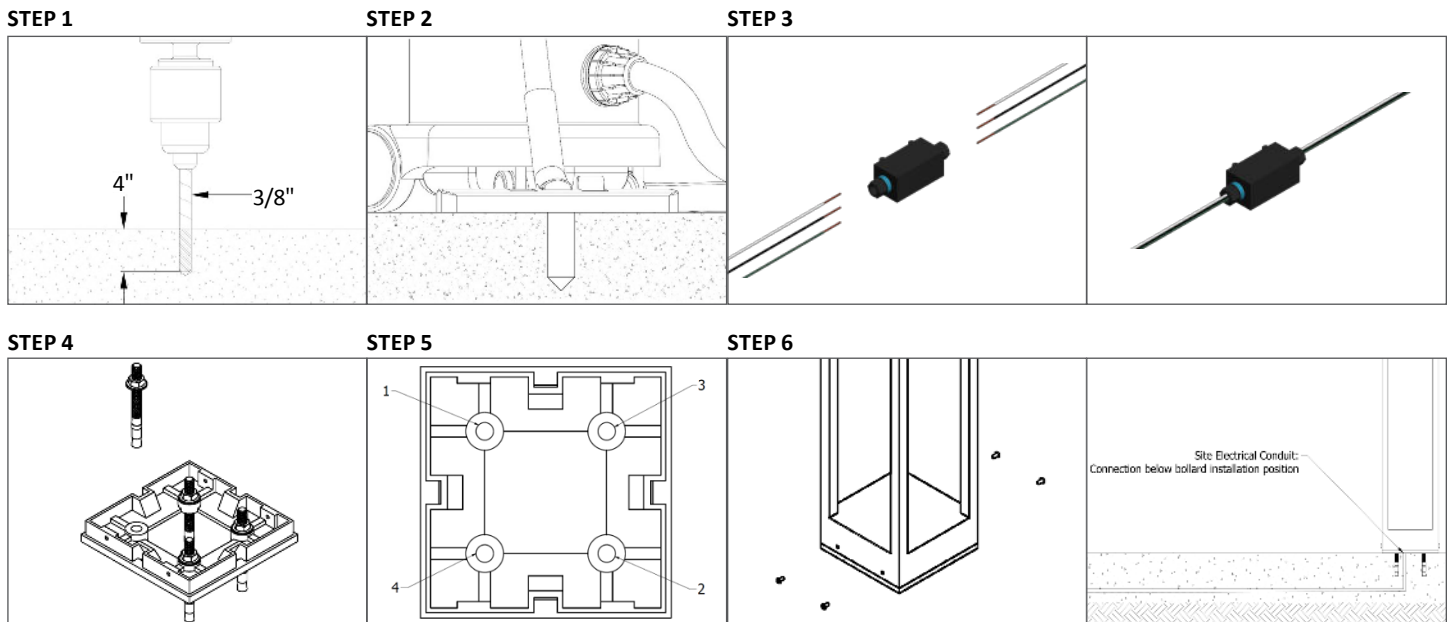
Note

- Always follow applicable site and safety codes.
- Electrical products must be installed by a qualified individual.
- Ensure the power supply is protected by a breaker. The use of a surge protector is recommended.
- To protect the finish, keep bollards in original packaging until the moment of installation.
- Handle bollards with care to avoid damage.



- Remove the bollard base.
Note: make sure that the conduit for the electrical connections opens approximately at the center-point of the bollard.

Instructions

**STEP 1: Drill the holes**

- **Create pilot holes:** Tap pilot divot holes in the center of each mark. This will prevent the hammer drill or rotary hammer from drifting while boring the holes.
- **Set the depth control on the hammer drill (or rotary hammer as required):** If depth control is not available, mark it on the masonry bit.
- **Drill the holes:** Using a 3/8" masonry bit, drill holes 4" deep. Drill on high speed, using the hammer function if available. Check the bit often to ensure it remains free of debris.

STEP 2: Prepare the inserts

- **Clear and clean the holes:** Clear the holes of all debris and/or standing water using the vacuum.

STEP 3: Electrical connections

- **Locate and prepare wires and connectors:**
 - Electrical connection must be done by qualified individuals
 - Follow all applicable site wiring and site safety codes before wiring the bollard. Shut off the power and isolate the circuit
 - Use 20-16 AWG copper conductors for wiring
 - Strip and remove 0.47" of insulation from the wires
 - Surge protector may be installed for each bollard's wiring
- **Connect wires:**
 - Insert ground (green), neutral (white), and positive (black) wires into the junction box through the cable connector, make sure that the wire color from the bollard matches the wire color from the site conduit.
 - Secure wires internally to junction box using internal wire bridge.
 - Tighten the cord grips on both sides until the wire ends are fully secure in the junction box.
 - Leave excess wire such that it will stay inside the base.

- Before turning the power ON, inspect all the connections.
- The R-9835 bollard is rated for 100- 240 VAC power. Please verify the rating for other Reliance light bollards before connection.
Note: Wiring and installation should be performed only by qualified individuals.

STEP 4: Place the bollard over the holes

- Carefully place the bollard base directly on top of the drilled holes. Insert 3/8" concrete wedge anchors into the holes with a hammer if needed.

STEP 5: Tighten with the 3/8" hex nuts (in opposite direction as numbered) using a 3/8" wrench until secure.

STEP 6: Place the bollard body over the base, and secure in place using #10 screws. Use Phillips Head Screwdriver to tighten.

STEP 7: Inspect

- **Inspect the installation:** From a distance, examine the plane of view. Ensure the bollard is plumb.
- **Check the bollard for any signs of surface damage:** Abrasions should be covered as soon as possible to prevent rust and ensure the proper life of the bollard. For damage repair or other servicing needs, please contact [Reliance Foundry's sales department](#).
- **Care and maintenance:** Reliance Foundry manufactures its products to the highest design standards to ensure their durability. Reliance Foundry's bollards are finished with long-lasting [powder coating](#). In most North American environments, routine inspections and cleaning will ensure that bollards retain their aesthetic appeal. [Proper care and maintenance](#) are required to maintain the finish and ensure a full-service life.