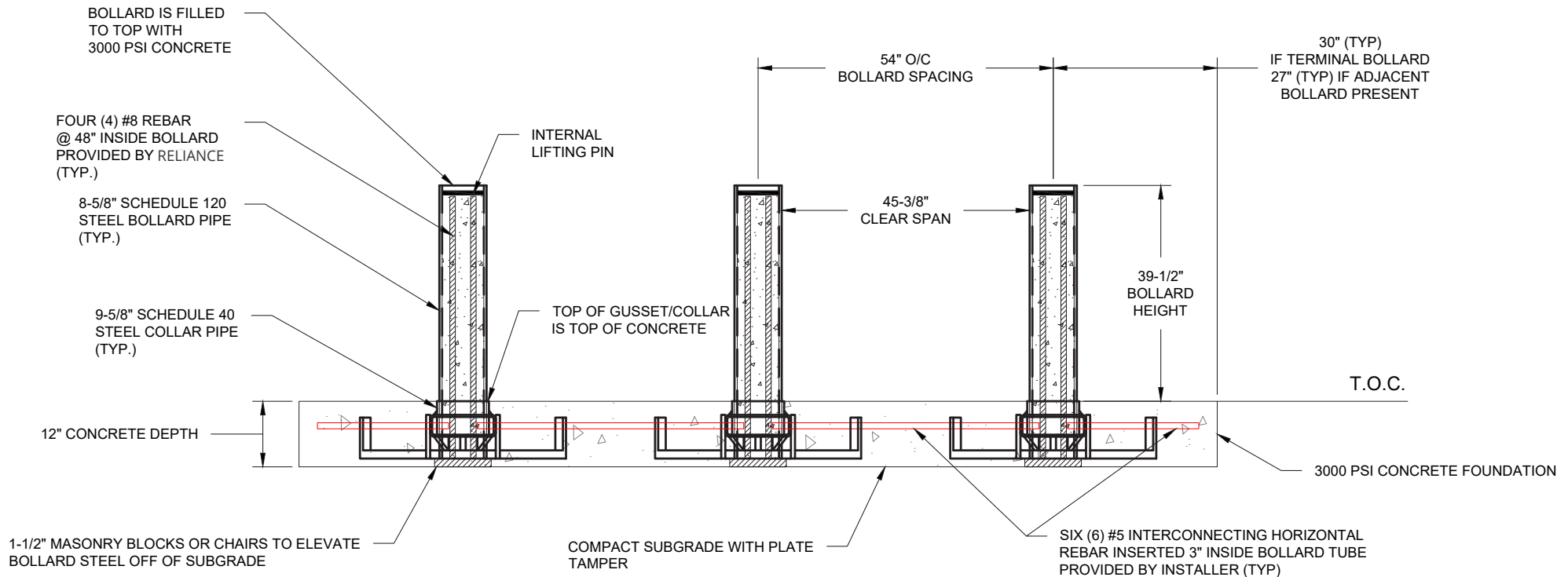


SHALLOW MOUNT BOLLARD - MODEL R-1009-04-SM (FIXED)

TYPICAL BOLLARD ARRAY INSTALLATION



NOTE:
MODIFIED SPACING FOR SITE SPECIFIC CONDITIONS AVAILABLE.

The drawings and information contained herein are proprietary and confidential. All rights reserved.

Toll Free: 1-877-789-3245
Phone: 604-547-0460
Fax: 604-590-8875

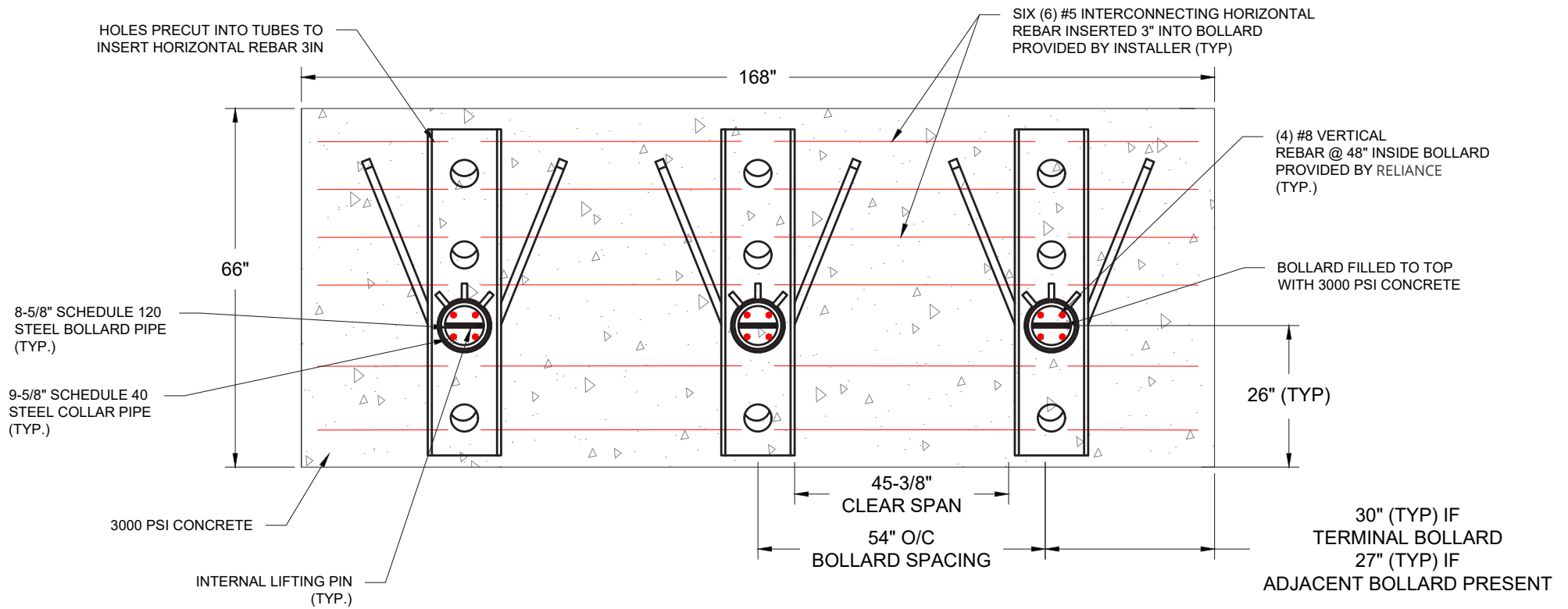
info@reliance-foundry.com
www.reliance-foundry.com

6450 148th Street,
Unit 207, Surrey, BC
Canada V3S 7G7

Shallow Mount Bollard

SHALLOW MOUNT BOLLARD - MODEL R-1009-04-SM (FIXED)

TYPICAL BOLLARD ARRAY INSTALLATION



NOTE:
MODIFIED SPACING FOR SITE SPECIFIC CONDITIONS AVAILABLE.

The drawings and information contained herein are proprietary and confidential. All rights reserved.



Toll Free: 1-877-789-3245
Phone: 604-547-0460
Fax: 604-590-8875



info@reliance-foundry.com
www.reliance-foundry.com



6450 148th Street,
Unit 207, Surrey, BC
Canada V3S 7G7

SHALLOW MOUNT BOLLARD - MODEL R-1009-04-SM (FIXED)

MATERIALS PROVIDED

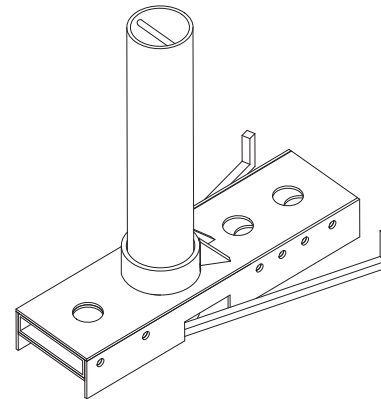
STANDARD FINISH:
BLACK PAINT

MATERIALS PROVIDED BY INSTALLATION CONTRACTOR:

1. ABOUT 1.0 CUBIC YARDS OF CONCRETE PER BOLLARD
2. SIX (6) #5 HORIZONTAL REBAR PER BOLLARD TO CONNECT ADJACENT BOLLARDS
3. MASONRY BRICKS OR CHAIRS TO ELEVATE BOLLARD STEEL OFF SUBGRADE

NOTE:
MODIFIED SPACING FOR SITE SPECIFIC CONDITIONS AVAILABLE.

MATERIALS PROVIDED BY RELIANCE FOUNDRY



(1) EACH:
PREFABRICATED BOLLARD
WITH BASE STRUCTURE
(PRE-ASSEMBLED)



(4) EACH:
#8 VERTICAL REBAR
@ 48"



SHALLOW MOUNT BOLLARD - MODEL R-1009-04-SM (FIXED)

INSTALLATION STEPS

① EXCAVATE THEN TAMP SUBGRADE WITH PLATE TAMPER.

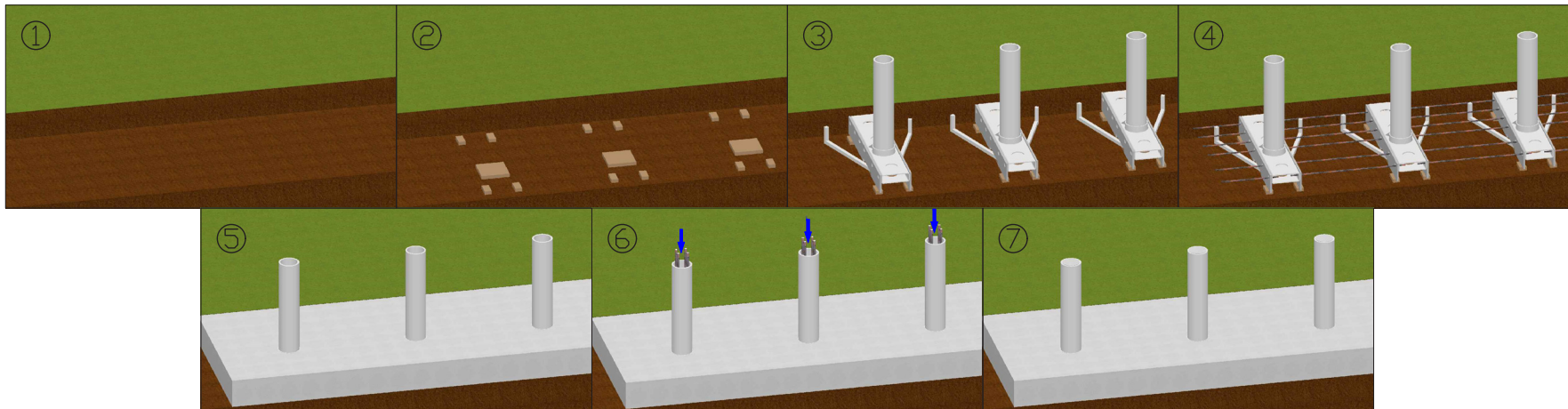
② USE MASONRY BLOCK OR CHAIRS TO ELEVATE BOLLARD OFF SUBGRADE, SO THAT TOP OF GUSSET / SLEEVE IS SAME HEIGHT AS TOP OF CONCRETE.

③ PLACE PREFABRICATED BOLLARDS INTO EXCAVATION.

④ INSERT #5 REBAR 3" INSIDE PREFABRICATED HOLES TO CONNECT BOLLARDS.

⑤ INSERT VERTICAL REBAR INTO BOLLARD TUBE.

⑥ FILL BOLLARD TUBE AND FOUNDATION WITH CONCRETE.



NOTE:
MODIFIED SPACING FOR SITE SPECIFIC CONDITIONS AVAILABLE.

The drawings and information contained herein are proprietary and confidential. All rights reserved.



Toll Free: 1-877-789-3245
Phone: 604-547-0460
Fax: 604-590-8875



info@reliance-foundry.com
www.reliance-foundry.com



6450 148th Street,
Unit 207, Surrey, BC
Canada V3S 7G7