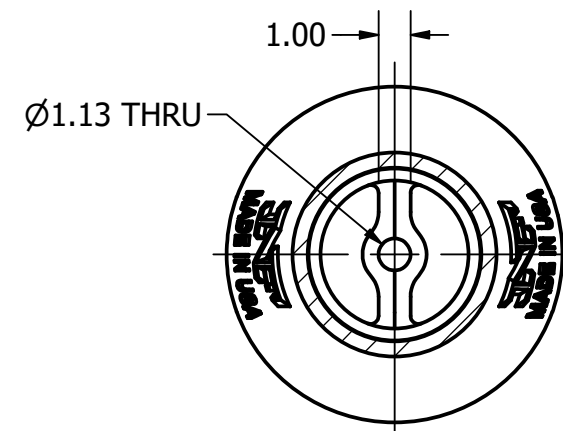
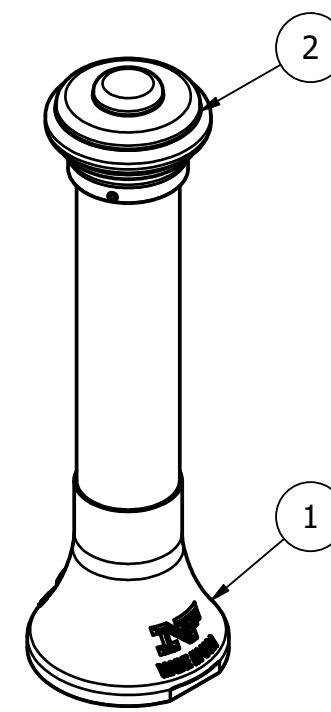


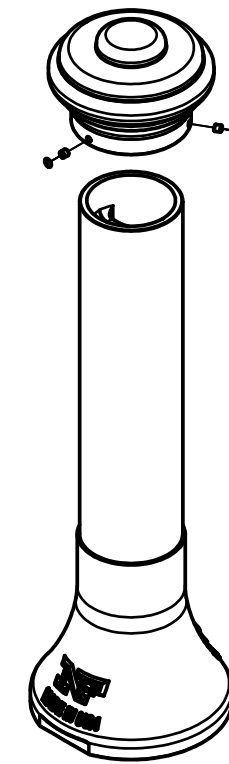
# BOLLARD 8402-43DC



SECTION F-F  
SCALE 1 / 6



ISOMETRIC VIEW



ISOMETRIC VIEW

## General Description:

Reliance Foundry's 8402-43DC bollards mark important perimeters while adding to the aesthetic appeal of neighboring landscapes. Composed of sturdy cast iron and sealed with black powder coating, 8402-43DC decorative bollards serve as attractive covers for security posts, or as fixed, stand-alone bollards. These bollards fulfill the Buy America and Buy American Acts requirements, and are made in the USA. Select from fixed or removable installation methods (contact us to learn more about removable options).

## Specifications:

Height : 36 1/8  
 Base Diameter : 9 7/8"  
 Weight : 83 lbs (Bollard only)  
 Material : ASTM A-48, CLASS 35B

## Finish Options:

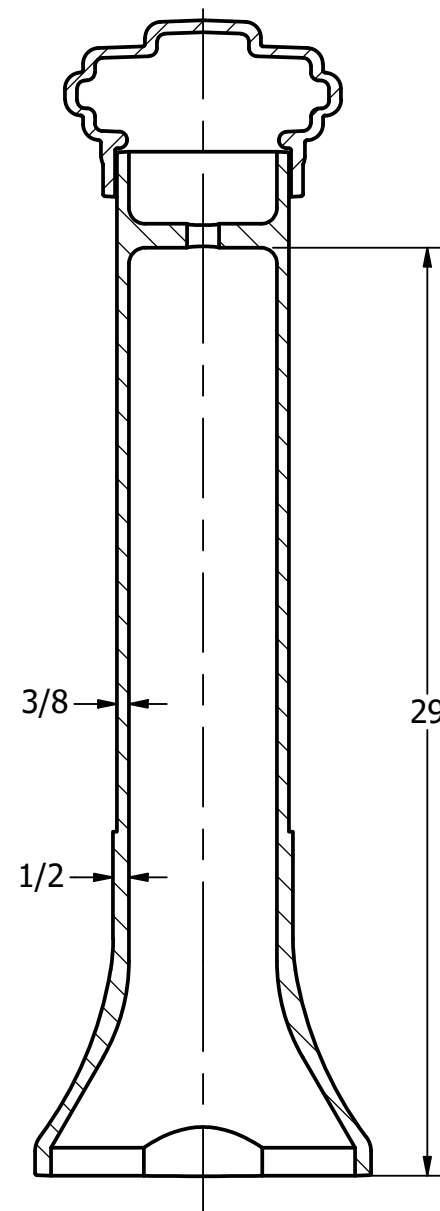
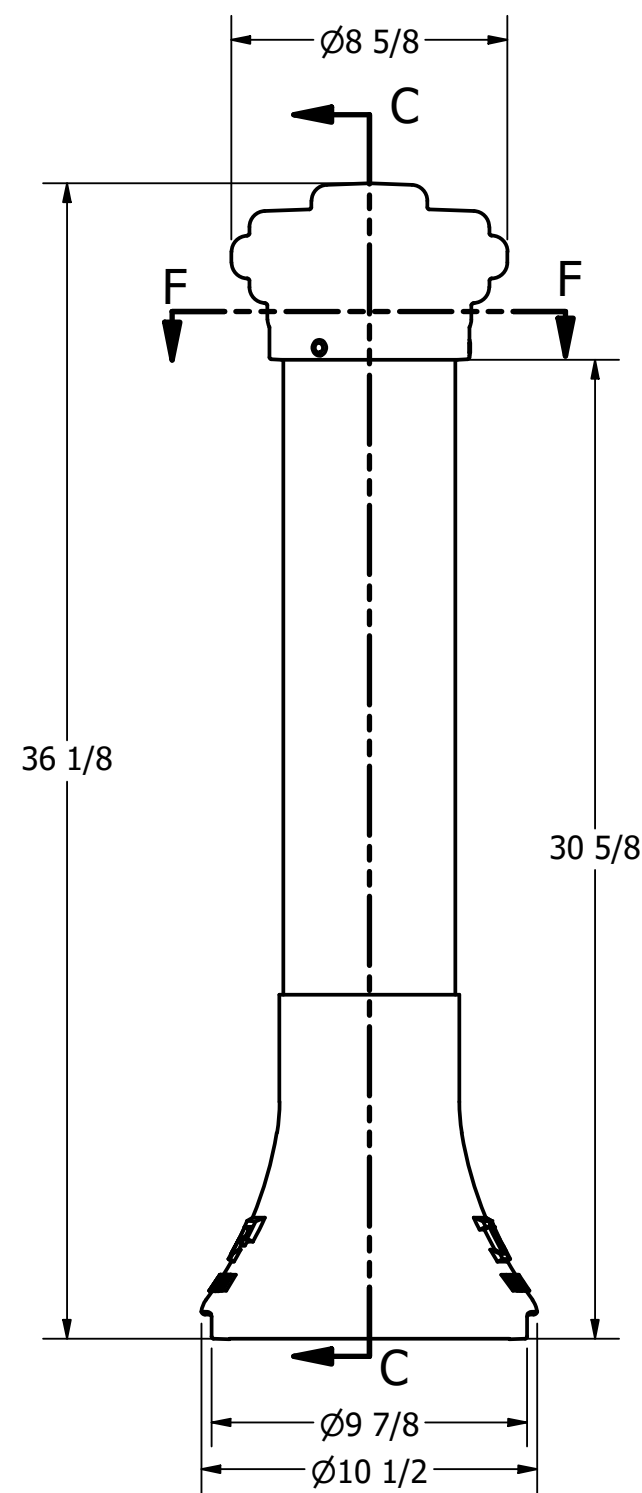
© Polyester Powdercoated

See Reliance Foundry's standard color options at:  
[www.reliance-foundry.com/bollard/colors-bollards](http://www.reliance-foundry.com/bollard/colors-bollards)

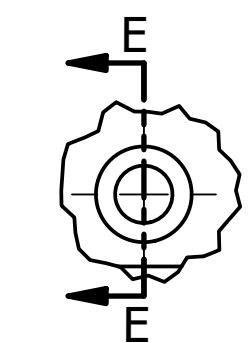
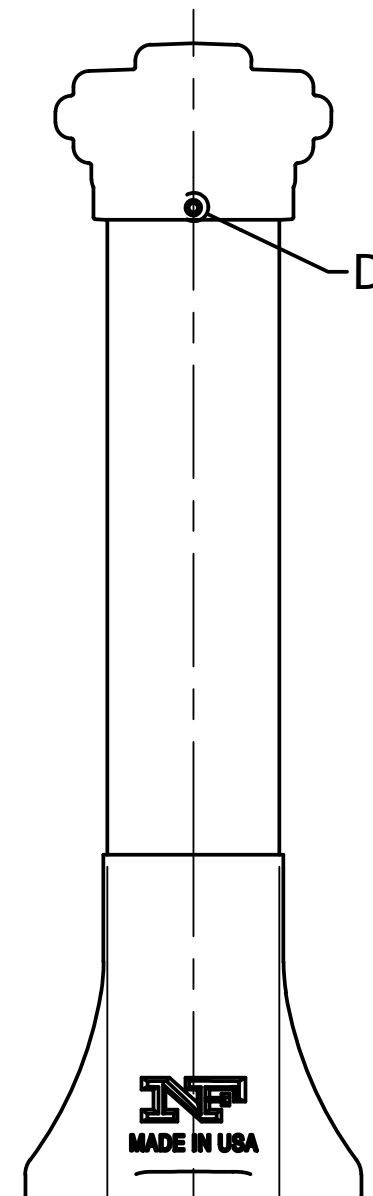
## Care and Maintenance:

Reliance's line of bollards are finished with a long-lasting powder-coating. Proper care and maintenance are required. Regularly-performed inspections and routine cleaning will ensure that a bollard retains its aesthetic appeal and does not become damaged by the elements.

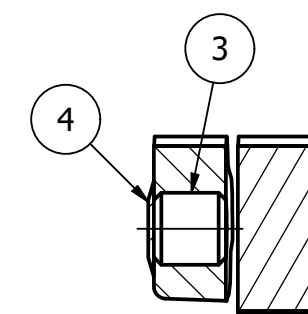
See Reliance Foundry's maintenance guide at:  
[www.reliance-foundry.com/bollard/maintenance-bollards](http://www.reliance-foundry.com/bollard/maintenance-bollards)



SECTION C-C  
SCALE 1 / 6



DETAIL D  
SCALE 1 / 1  
3 PLACES



SECTION E-E  
SCALE 1 / 1

- Notes:
- 1) Bollard post is provided as shown. Concrete, foundation and/or installation ordered separately or provided by others.
  - 2) Minimum foundation sizes depend on local soil conditions, weather conditions, and engineering requirements.
  - 3) Dimensions provided herein is for reference only. Please consult Reliance Foundry sales professionals if any dimension is critical to your particular installation.
  - 4) Reliance Foundry reserves the right to amend design and specifications without prior notice for product improvement.

PARTS LIST			
ITEM	QTY	PART NUMBER	DESCRIPTION
1	1	84024303	BASE
2	1	84004004	CAP
3	3	C00005	SET SCREW, FLAT-3/8 X 3/8
4	3	C00006	PLUG, FLAT TIP-3/8 SET SCREW

**RELIANCE FOUNDRY**  
 SINCE 1925

Unit 207, 6450 - 148 Street, Surrey, BC V3S 7G7, Canada  
 1-877-789-3245 info@reliance-foundry.com  
[www.reliance-foundry.com](http://www.reliance-foundry.com)

TITLE			
<b>BOLLARD 8402-43DC</b>			
SIZE	DWG NO	REV	
C	8402358-00	A00	
NOT TO SCALE		SHEET 1 OF 1	