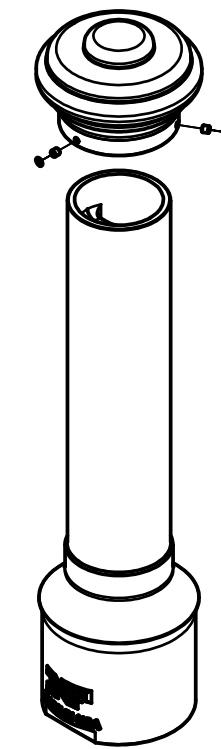
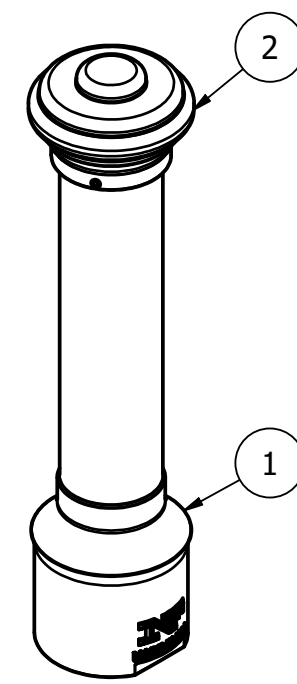
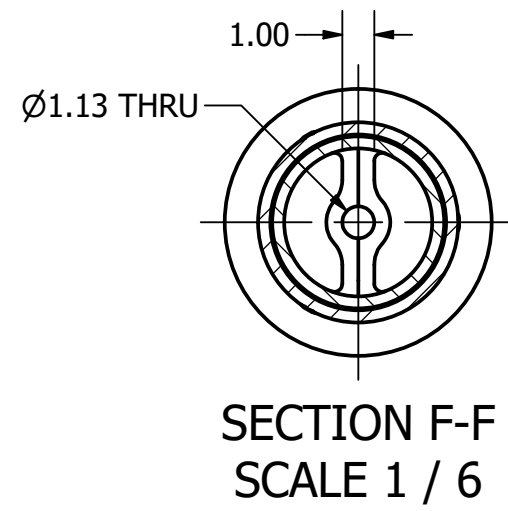


BOLLARD 8402-43DB



General Description:

8402-43DB decorative bollards from Reliance Foundry define perimeters while offering aesthetic appeal to surrounding landscapes. Made from robust cast iron and protected with black powder coating. These decorative bollards serve as aesthetic covers for security posts, or can be utilized as fixed, stand-alone bollards. Manufactured in America, these bollards fulfill the Buy America and Buy American Acts requirements. Select between fixed and removable options (contact us to learn more about removable installation).

Specifications:

Height : 36
 Base Diameter : 8"
 Weight : 94 lbs (Bollard only)
 Material : ASTM A-48, CLASS 35B

Finish Options:

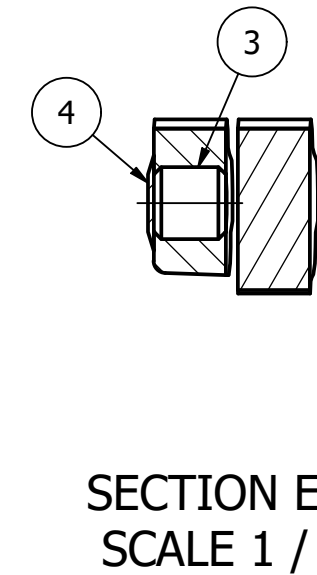
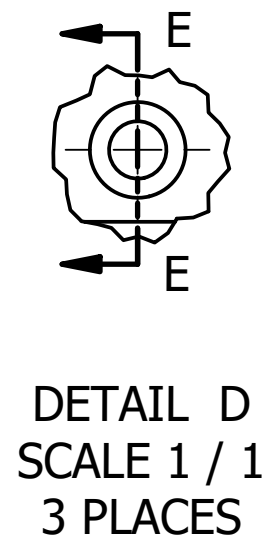
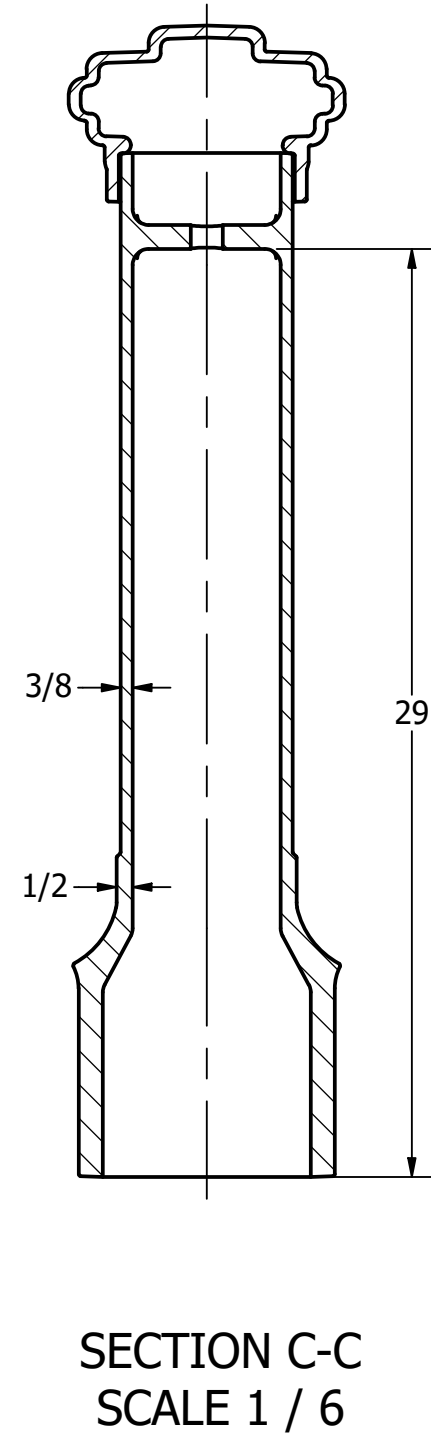
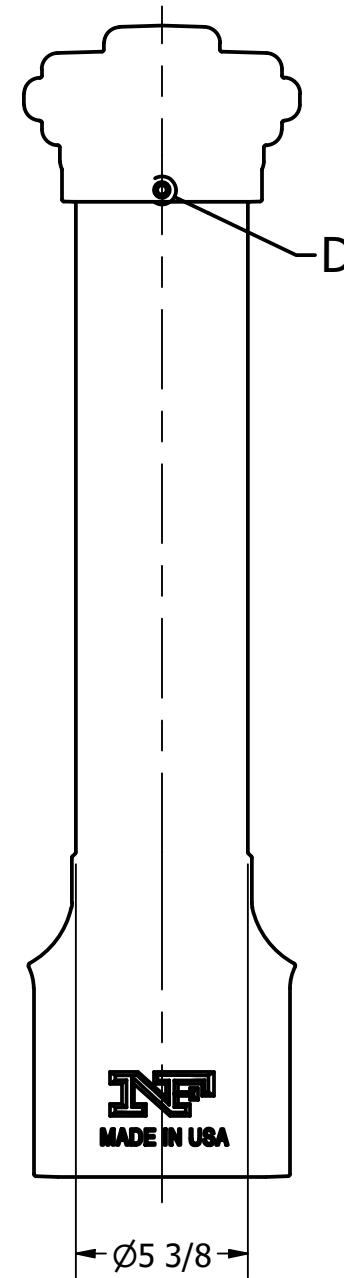
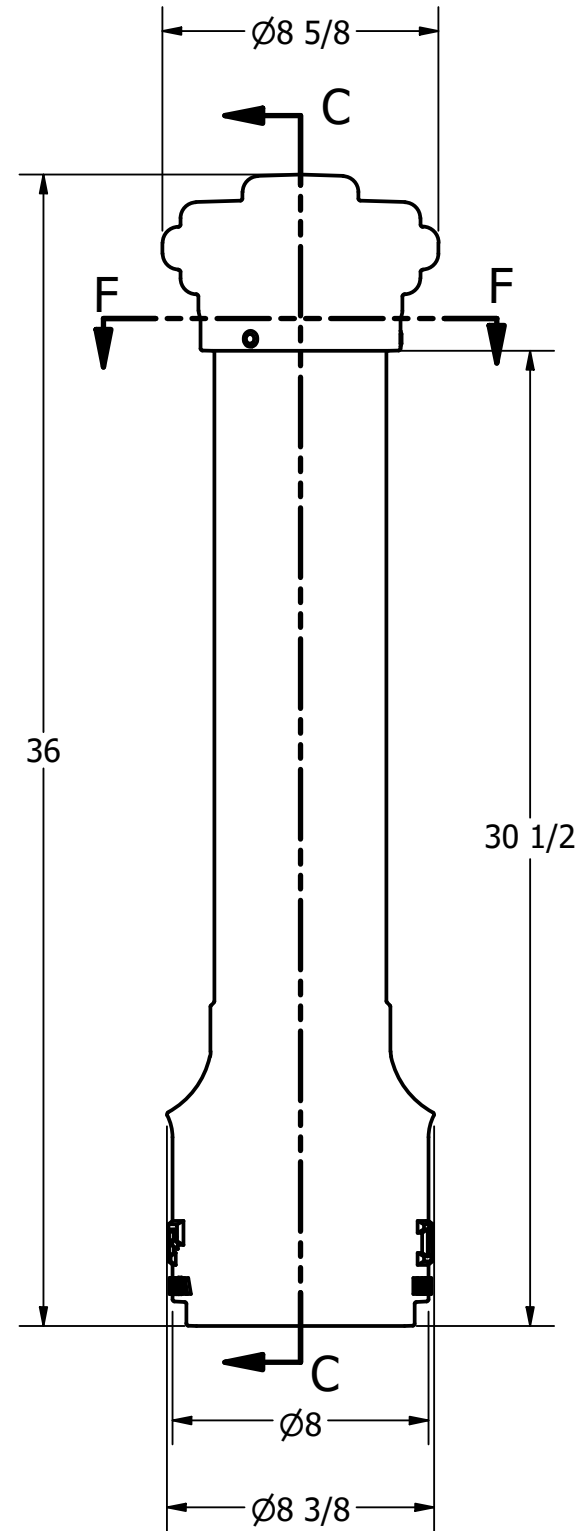
☉ Polyester Powdercoated

See Reliance Foundry's standard color options at:
www.reliance-foundry.com/bollard/colors-bollards

Care and Maintenance:

Reliance's line of bollards are finished with a long-lasting powder-coating. Proper care and maintenance are required. Regularly-performed inspections and routine cleaning will ensure that a bollard retains its aesthetic appeal and does not become damaged by the elements.

See Reliance Foundry's maintenance guide at:
www.reliance-foundry.com/bollard/maintenance-bollards



- Notes:
- 1) Bollard post is provided as shown. Concrete, foundation and/or installation ordered separately or provided by others.
 - 2) Minimum foundation sizes depend on local soil conditions, weather conditions, and engineering requirements.
 - 3) Dimensions provided herein is for reference only. Please consult Reliance Foundry sales professionals if any dimension is critical to your particular installation.
 - 4) Reliance Foundry reserves the right to amend design and specifications without prior notice for product improvement.

PARTS LIST			
ITEM	QTY	PART NUMBER	DESCRIPTION
1	1	84024302	BASE
2	1	84004004	CAP
3	3	C00005	SET SCREW, FLAT-3/8 X 3/8
4	3	C00006	PLUG, FLAT TIP-3/8 SET SCREW

RELIANCE FOUNDRY
 SINCE 1925

Unit 207, 6450 - 148 Street, Surrey, BC V3S 7G7, Canada
 1-877-789-3245 info@reliance-foundry.com
www.reliance-foundry.com

TITLE			
BOLLARD 8402-43DB			
SIZE	DWG NO	REV	
C	8402354-00	A00	
NOT TO SCALE		SHEET 1 OF 1	