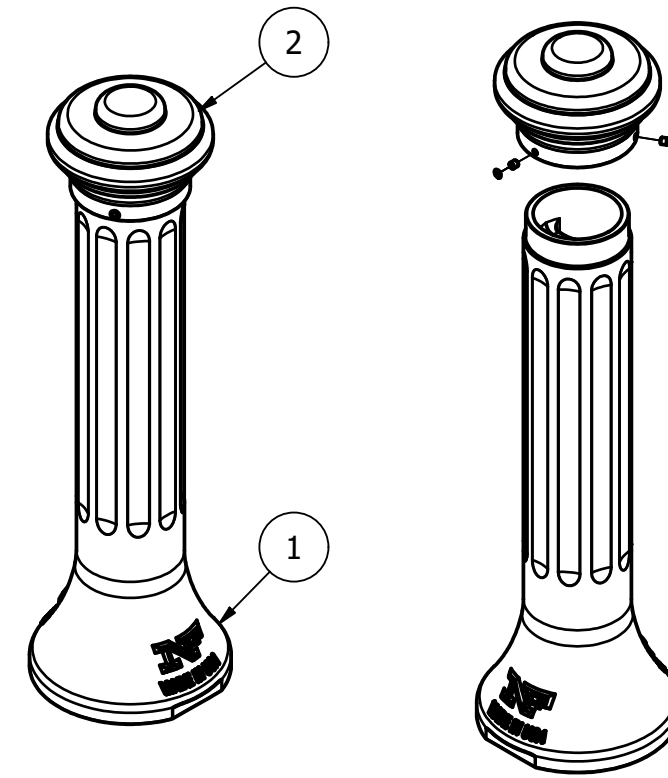
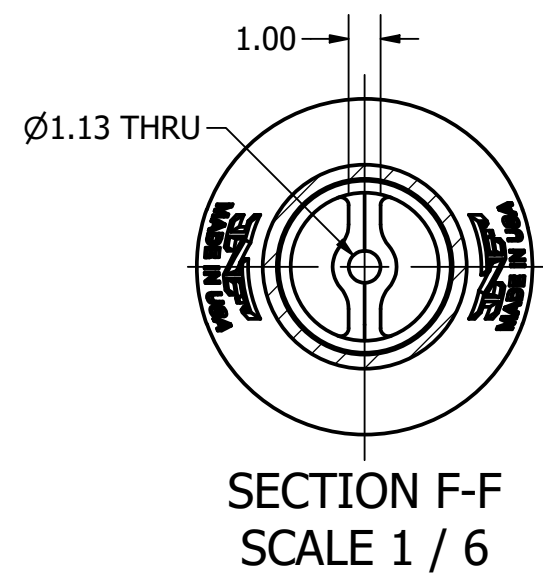


BOLLARD 8401-43DC



General Description:

8401-43DC decorative bollards from Reliance Foundry are manufactured in the USA, and fulfill Buy America and Buy American Acts requirements. These cast iron bollards have corniced top castings and an elegant, tapered silhouette. Black powder-coating ensures bollard surfaces stand strong against weathering. 8401-43DC bollards can be used as fixed, stand-alone bollards, or to conceal impact-resistant security pipes. Both fixed and removable options exist (contact us for more details on removable applications).

Specifications:

Height : 36 1/8
 Base Diameter : 9 7/8"
 Weight : 89 lbs (Bollard only)
 Material : ASTM A-48, CLASS 35B

Finish Options:

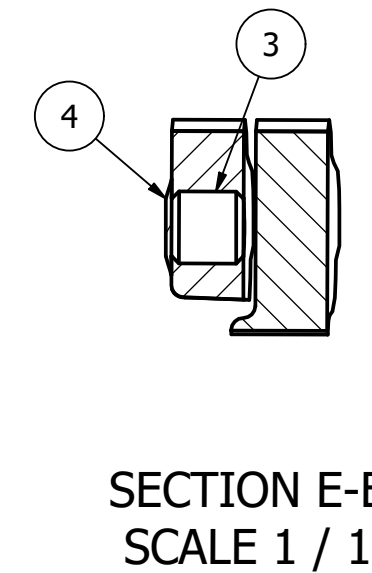
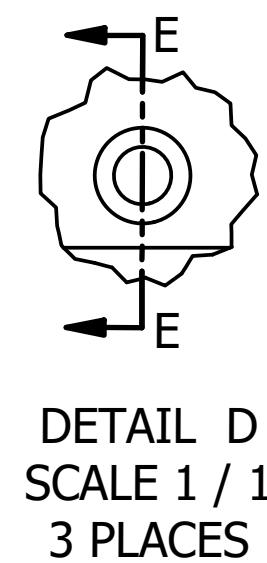
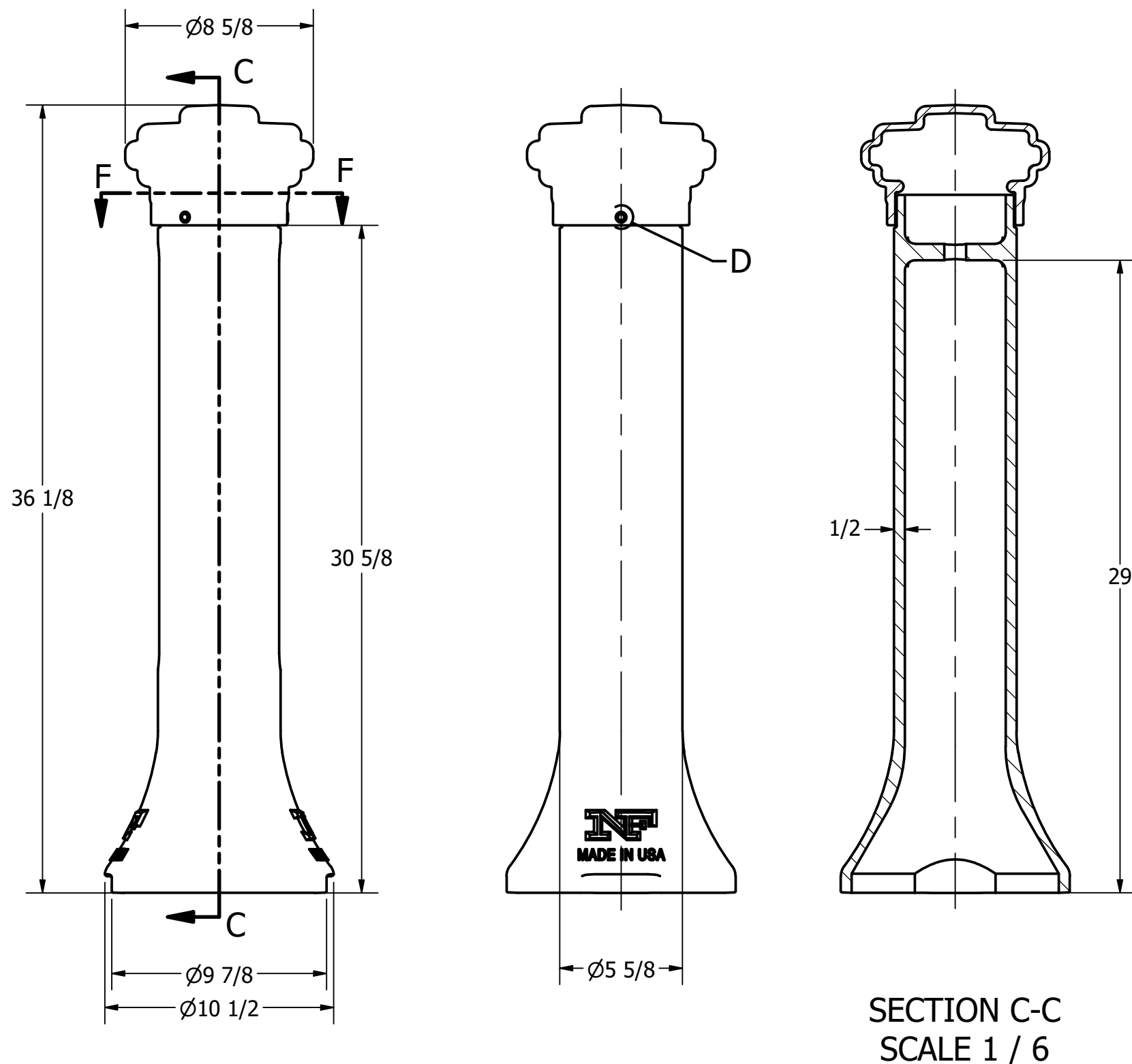
© Polyester Powdercoated

See Reliance Foundry's standard color options at:
www.reliance-foundry.com/bollard/colors-bollards

Care and Maintenance:

Reliance's line of bollards are finished with a long-lasting powder-coating. Proper care and maintenance are required. Regularly-performed inspections and routine cleaning will ensure that a bollard retains its aesthetic appeal and does not become damaged by the elements.

See Reliance Foundry's maintenance guide at:
www.reliance-foundry.com/bollard/maintenance-bollards



PARTS LIST			
ITEM	QTY	PART NUMBER	DESCRIPTION
1	1	84014303	BASE
2	1	84004004	CAP
3	3	C00005	SET SCREW, FLAT-3/8 X 3/8
4	3	C00006	PLUG, FLAT TIP-3/8 SET SCREW

- Notes:
- 1) Bollard post is provided as shown. Concrete, foundation and/or installation ordered separately or provided by others.
 - 2) Minimum foundation sizes depend on local soil conditions, weather conditions, and engineering requirements.
 - 3) Dimensions provided herein is for reference only. Please consult Reliance Foundry sales professionals if any dimension is critical to your particular installation.
 - 4) Reliance Foundry reserves the right to amend design and specifications without prior notice for product improvement.



Unit 207, 6450 - 148 Street, Surrey, BC V3S 7G7, Canada
 1-877-789-3245 info@reliance-foundry.com
www.reliance-foundry.com

TITLE			
BOLLARD 8401-43DC			
SIZE	DWG NO	REV	
C	8401358-00	A00	
NOT TO SCALE		SHEET 1 OF 1	