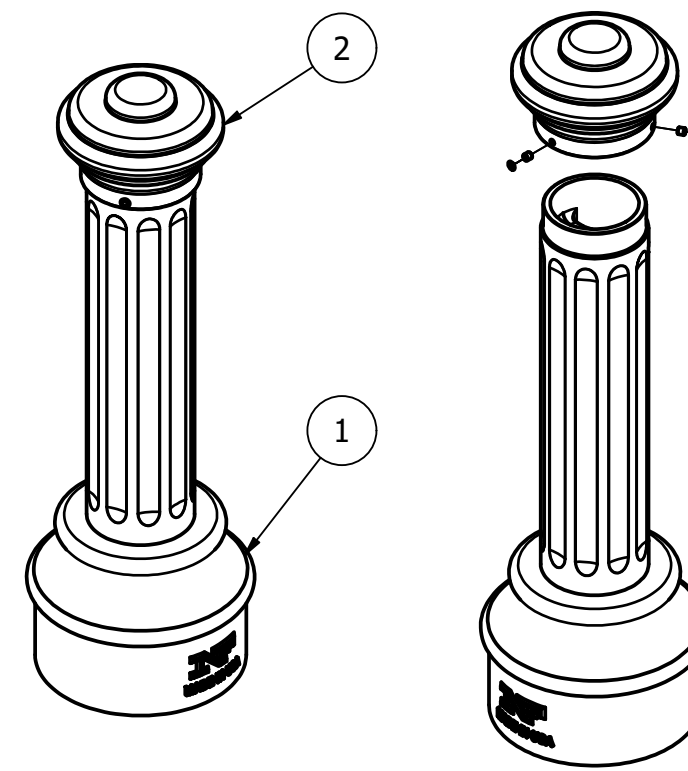
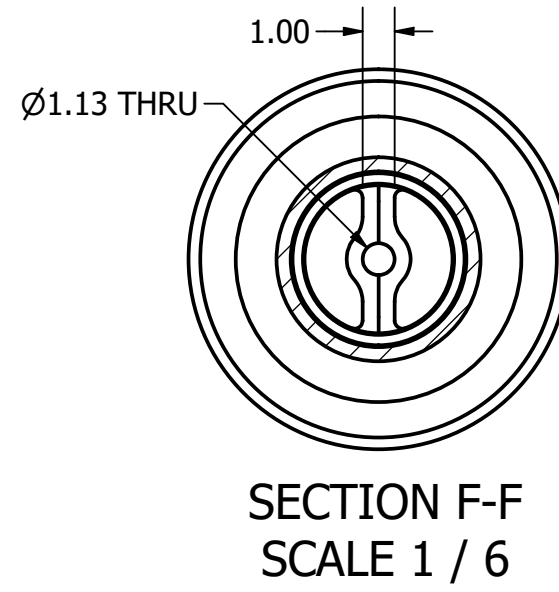


BOLLARD 8401-43DA



ISOMETRIC VIEW

ISOMETRIC VIEW

General Description:

8401-43DA decorative bollards are American-made, meeting Buy America and Buy American Acts requirements. Made from robust cast iron and features decorative fluting and corniced top casting for an elegant look. Reliable black powder-coating offers protection from outdoor climates. Use to beautify impact-resistant security pipes or use as fixed, stand-alone bollards. These bollards can be made removable with premium removable mountings (contact us for more information).

Specifications:

Height : 36"
 Base Diameter : 11"
 Weight : 122 lbs (Bollard only)
 Material : ASTM A-48, CLASS 35B

Finish Options:

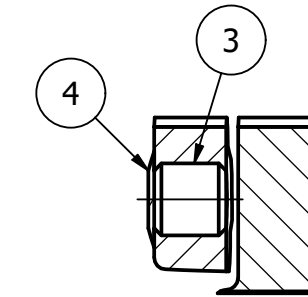
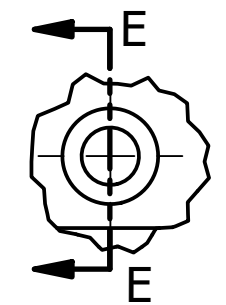
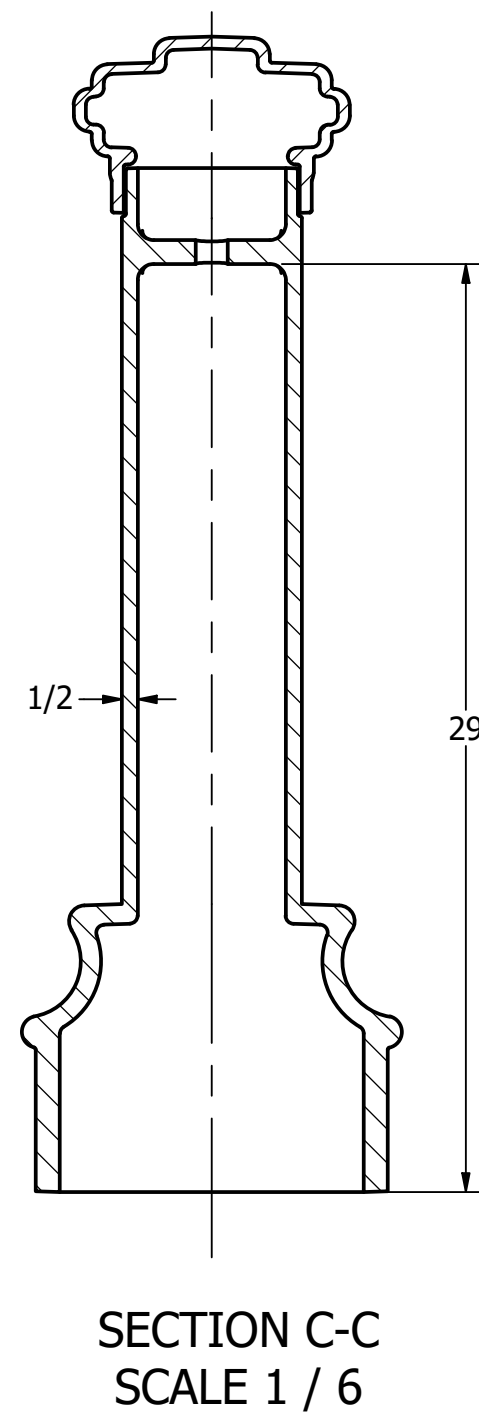
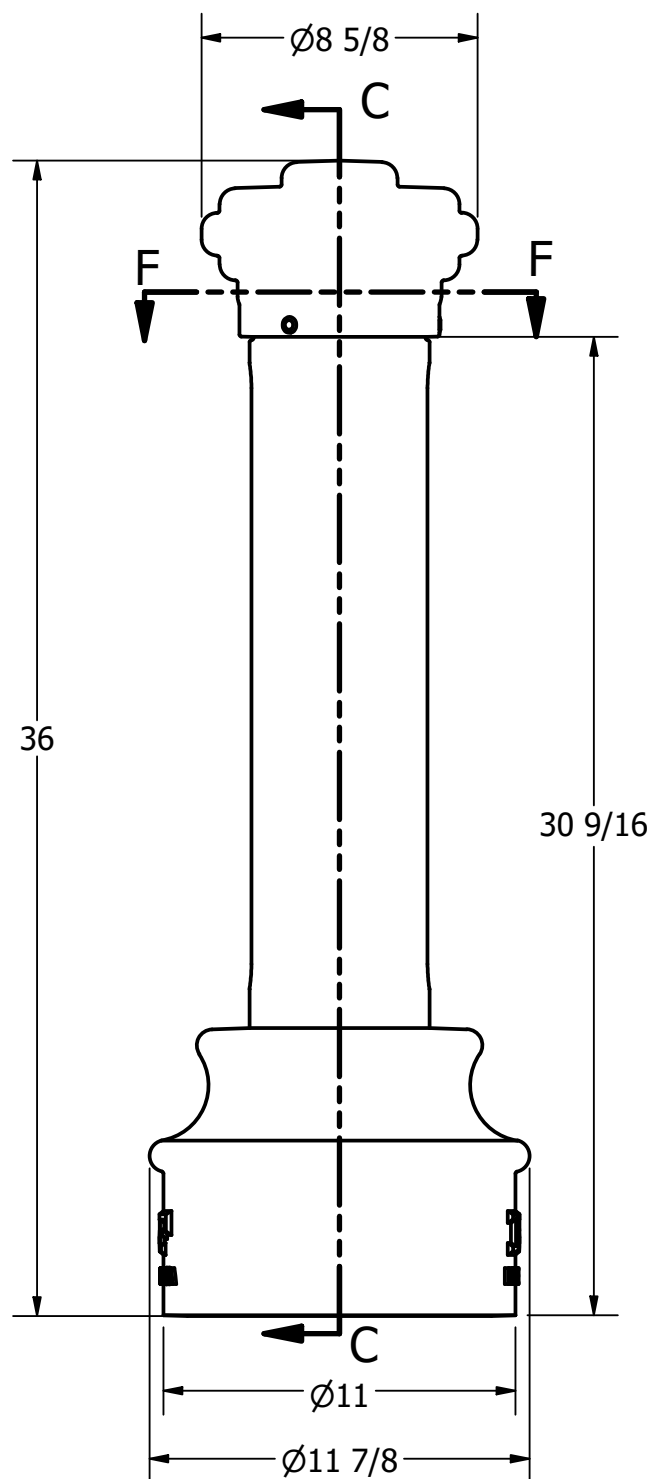
☉ Polyester Powdercoated

See Reliance Foundry's standard color options at:
www.reliance-foundry.com/bollard/colors-bollards

Care and Maintenance:

Reliance's line of bollards are finished with a long-lasting powder-coating. Proper care and maintenance are required. Regularly-performed inspections and routine cleaning will ensure that a bollard retains its aesthetic appeal and does not become damaged by the elements.

See Reliance Foundry's maintenance guide at:
www.reliance-foundry.com/bollard/maintenance-bollards



- Notes:
- 1) Bollard post is provided as shown. Concrete, foundation and/or installation ordered separately or provided by others.
 - 2) Minimum foundation sizes depend on local soil conditions, weather conditions, and engineering requirements.
 - 3) Dimensions provided herein is for reference only. Please consult Reliance Foundry sales professionals if any dimension is critical to your particular installation.
 - 4) Reliance Foundry reserves the right to amend design and specifications without prior notice for product improvement.

PARTS LIST			
ITEM	QTY	PART NUMBER	DESCRIPTION
1	1	84014301	BASE
2	1	84004004	CAP
3	3	C00005	SET SCREW, FLAT-3/8 X 3/8
4	3	C00006	PLUG, FLAT TIP-3/8 SET SCREW



Unit 207, 6450 - 148 Street, Surrey, BC V3S 7G7, Canada
 1-877-789-3245 info@reliance-foundry.com
www.reliance-foundry.com

TITLE			
BOLLARD 8401-43DA			
SIZE	DWG NO	REV	
C	8401350-00	A00	
NOT TO SCALE		SHEET 1 OF 1	