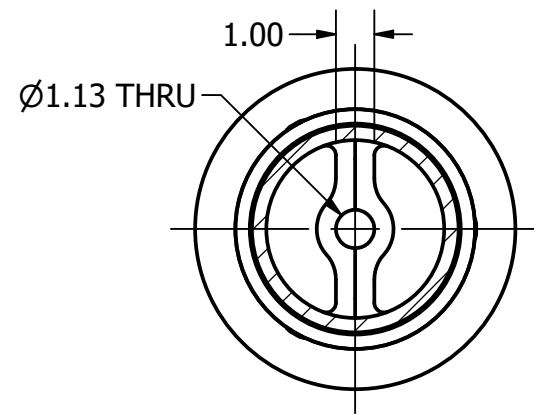
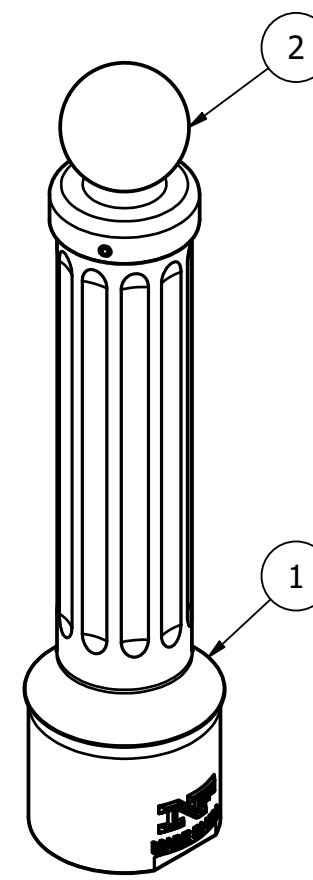


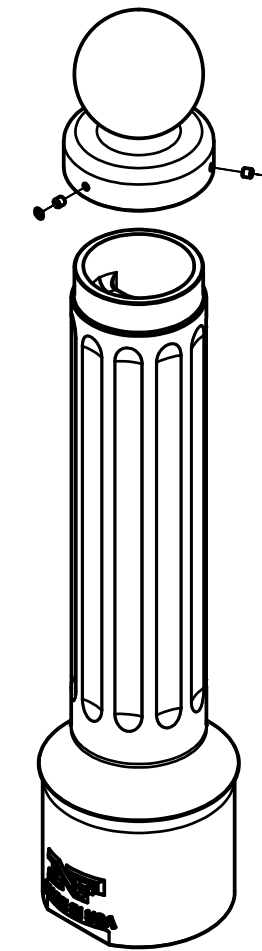
# BOLLARD 8401-43BB



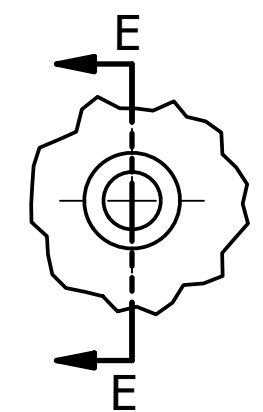
SECTION F-F  
SCALE 1/5



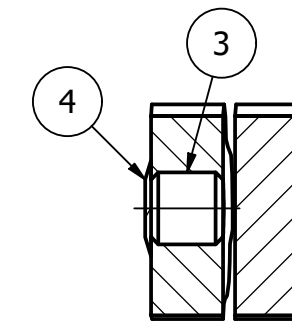
ISOMETRIC VIEW



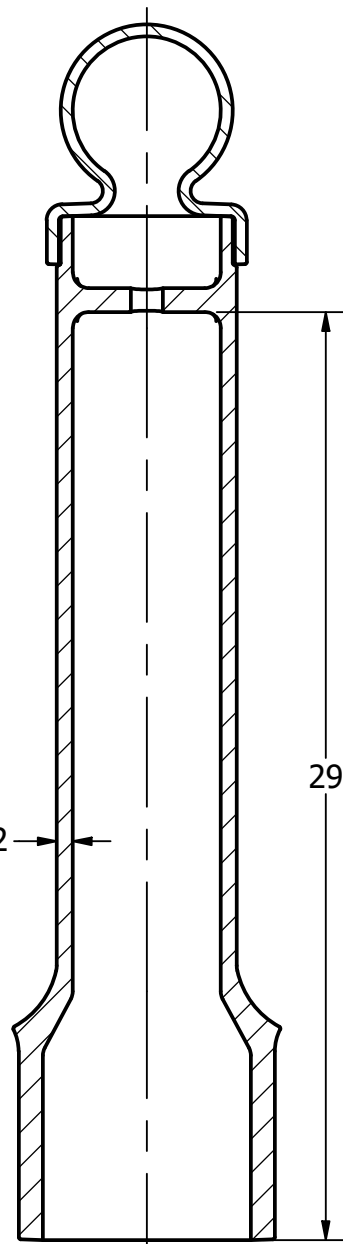
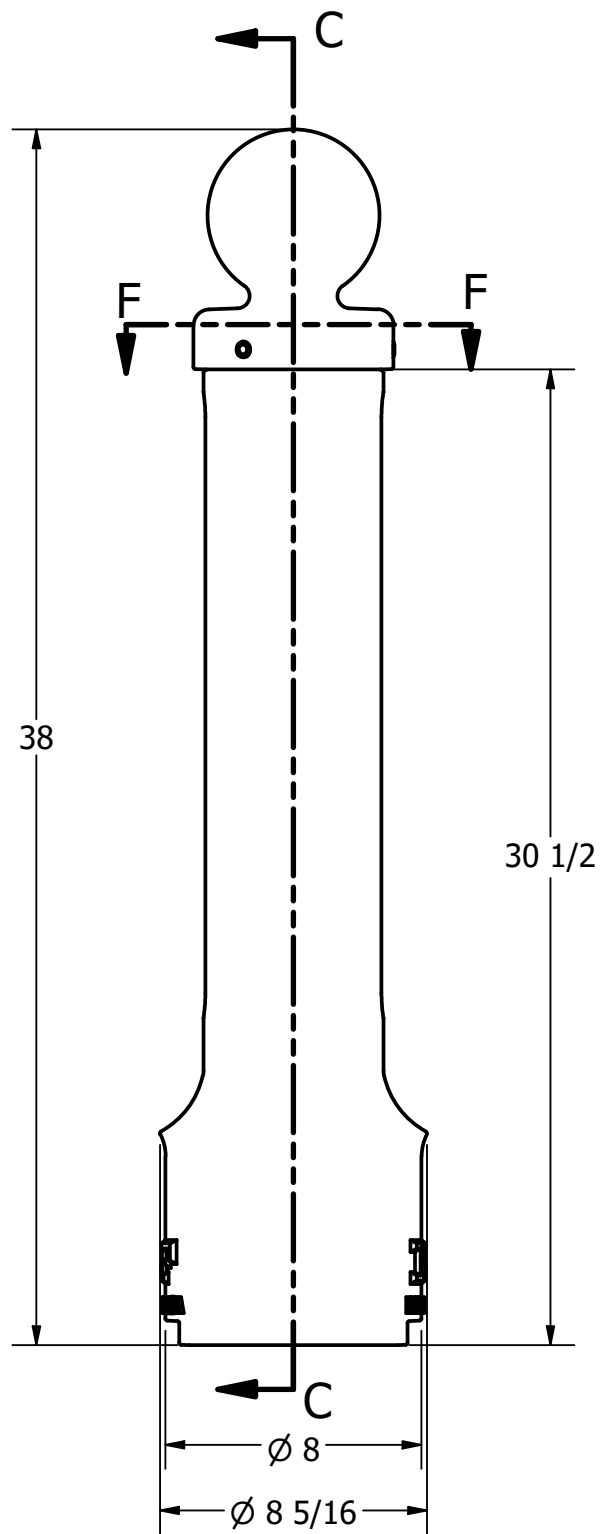
ISOMETRIC VIEW



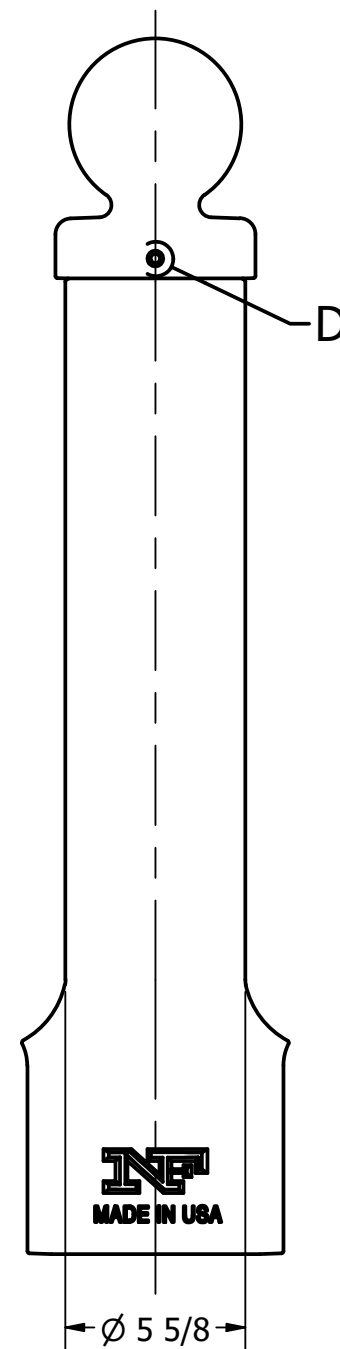
DETAIL D  
SCALE 1 / 1  
3 PLACES



SECTION E-E  
SCALE 1 / 1



SECTION C-C  
SCALE 1 / 6



SECTION C-C  
SCALE 1 / 6

## General Description:

Reliance Foundry's 8401-43BB decorative bollard is made of cast iron with a clean finish and spherical top casting. Black powder-coating provides bollard surfaces with extra protection against weathering. Use these decorative bollards as fixed, stand-alone bollards or to cover impact-resistant security posts. Removable options also offered using premium retractable mountings (contact us for more details). The 8401-43BB is made in America, meeting Buy America and Buy American Acts requirements.

## Specifications:

Height : 38  
Base Diameter : 8"  
Weight : 97.5 lbs (Bollard only)  
Material : ASTM A-48, CLASS 35B

## Finish Options:

☐ Polyester Powdercoated

See Reliance Foundry's standard color options at:  
[www.reliance-foundry.com/bollard/colors-bollards](http://www.reliance-foundry.com/bollard/colors-bollards)

## Care and Maintenance:

Reliance's line of bollards are finished with a long-lasting powder-coating. Proper care and maintenance are required. Regularly-performed inspections and routine cleaning will ensure that a bollard retains its aesthetic appeal and does not become damaged by the elements.

See Reliance Foundry's maintenance guide at:  
[www.reliance-foundry.com/bollard/maintenance-bollards](http://www.reliance-foundry.com/bollard/maintenance-bollards)

## Notes:

- 1) Bollard post is provided as shown. Concrete, foundation and/or installation ordered separately or provided by others.
- 2) Minimum foundation sizes depend on local soil conditions, weather conditions, and engineering requirements.
- 3) Dimensions provided herein is for reference only. Please consult Reliance Foundry sales professionals if any dimension is critical to your particular installation.
- 4) Reliance Foundry reserves the right to amend design and specifications without prior notice for product improvement.

PARTS LIST			
ITEM	QTY	PART NUMBER	DESCRIPTION
1	1	84014302	BASE
2	1	84004002	CAP
3	3	C00005	SET SCREW, FLAT-3/8 X 3/8
4	3	C00006	PLUG, FLAT TIP-3/8 SET SCREW

**RELIANCE FOUNDRY**  
SINCE 1925

Unit 207, 6450 - 148 Street, Surrey, BC V3S 7G7, Canada  
1-877-789-3245 info@reliance-foundry.com  
[www.reliance-foundry.com](http://www.reliance-foundry.com)

TITLE

**BOLLARD  
8401-43BB**

SIZE  
C

DWG NO  
8401254-00

REV  
A00