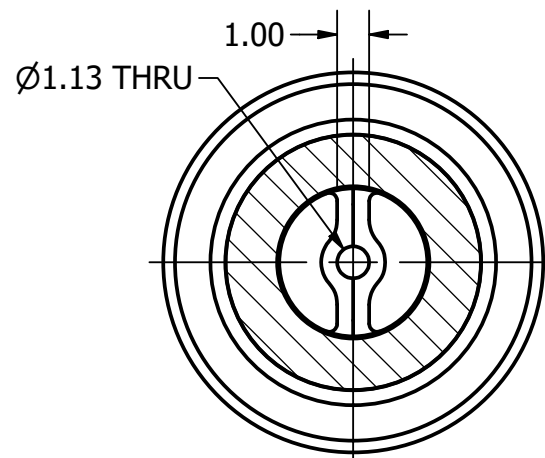
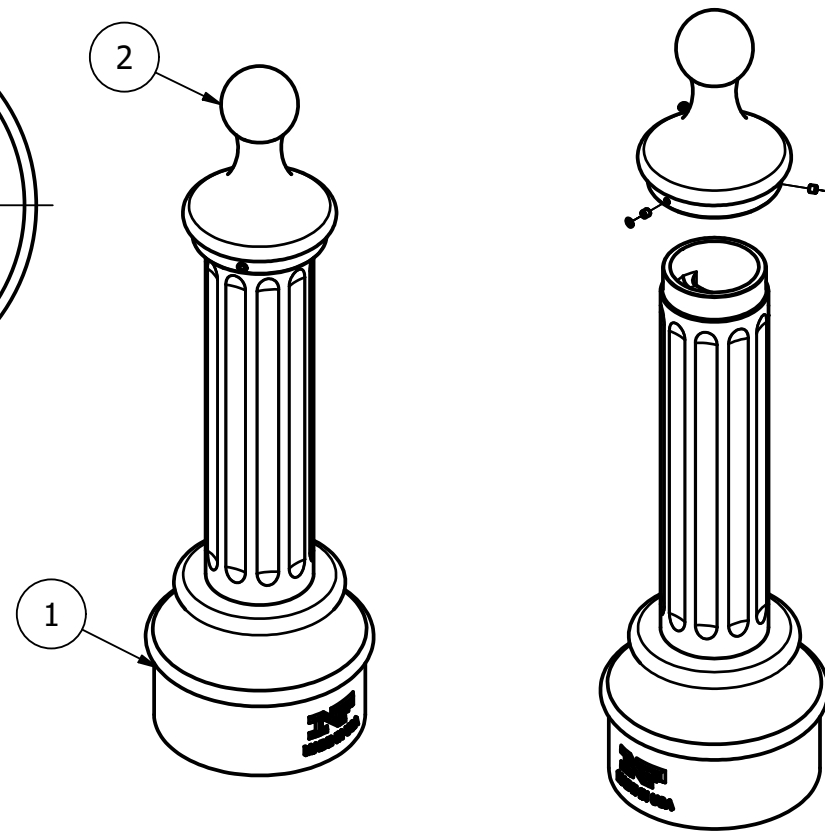


BOLLARD 8401-43AA

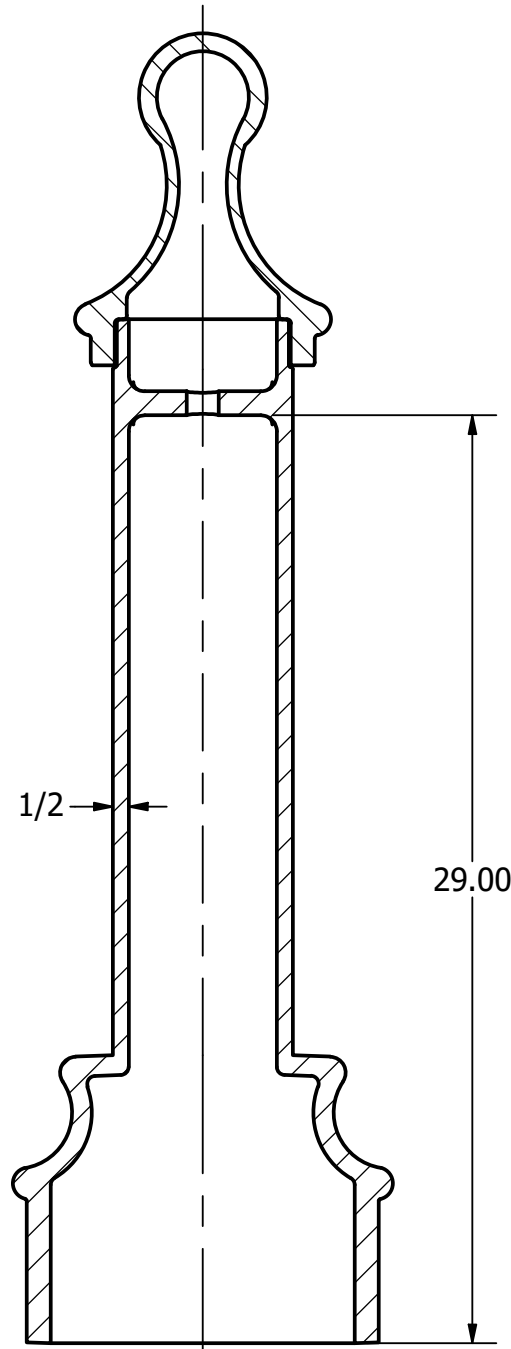
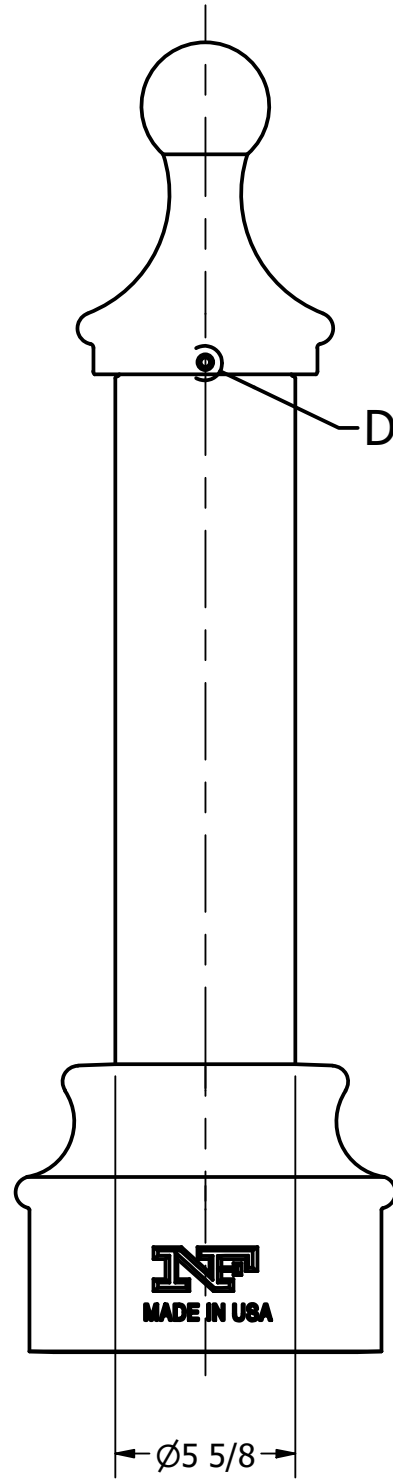
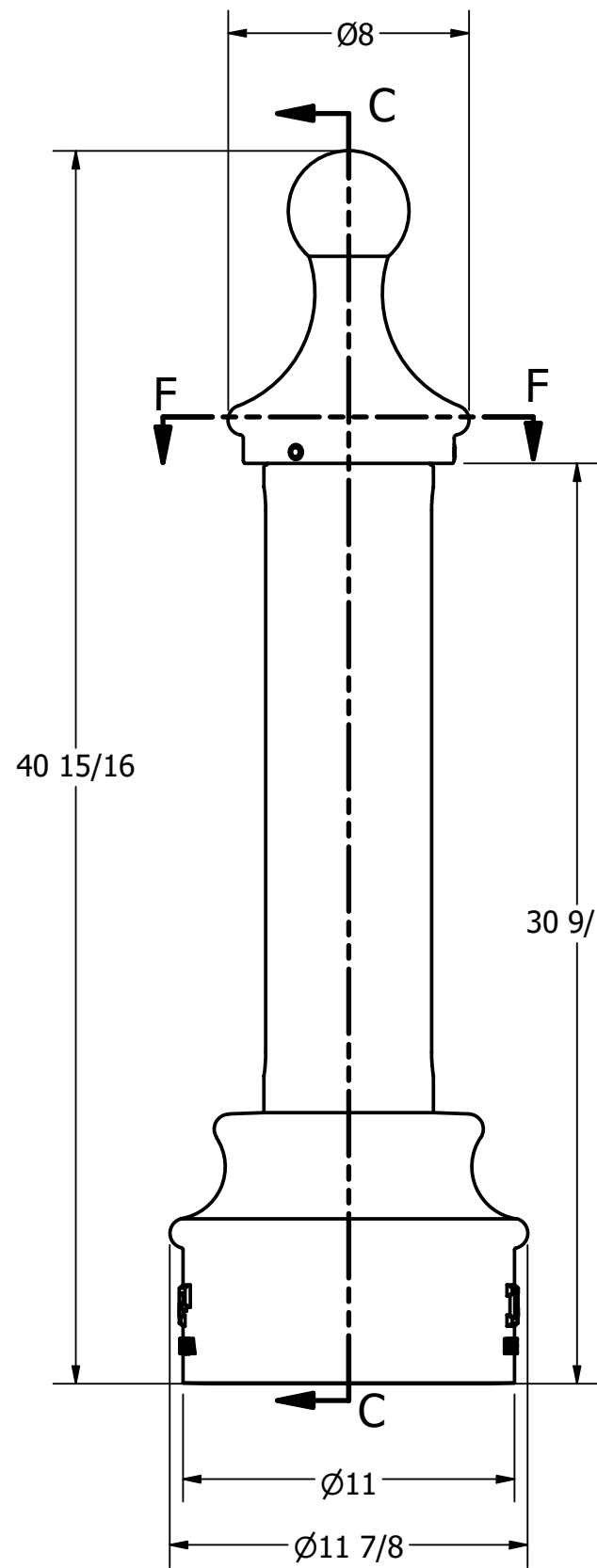


SECTION F-F
SCALE 1 / 6

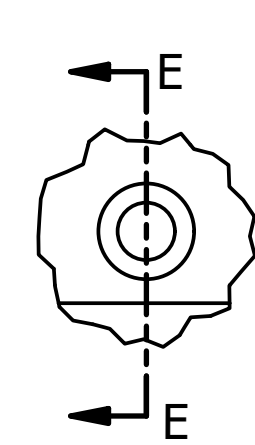


ISOMETRIC VIEW

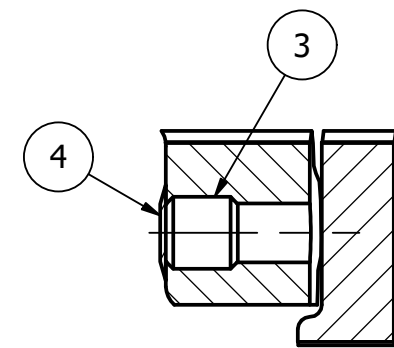
ISOMETRIC VIEW



SECTION C-C
SCALE 1 / 6



DETAIL D
SCALE 1 / 1
3 PLACES



SECTION E-E
SCALE 1 / 1

General Description:

The 8401-43AA decorative bollard offers plenty of visual interest with a refined spherical top casting. This bollard is made from tough cast iron and finished with durable powder coating. Use as aesthetic covers for security pipes, or as stand-alone bollards. Manufactured in America, these bollards qualify for the Buy America and Buy American Acts requirements. Both fixed and removable options offered.

Specifications:

Height : 40 15/16
 Base Diameter : 11"
 Weight : 128 lbs (Bollard only)
 Material : ASTM A-48, CLASS 35B

Finish Options:

☉ Polyester Powdercoated

See Reliance Foundry's standard color options at:
www.reliance-foundry.com/bollard/colors-bollards

Care and Maintenance:

Reliance's line of bollards are finished with a long-lasting powder-coating. Proper care and maintenance are required. Regularly-performed inspections and routine cleaning will ensure that a bollard retains its aesthetic appeal and does not become damaged by the elements.

See Reliance Foundry's maintenance guide at:
www.reliance-foundry.com/bollard/maintenance-bollards

Notes:

- 1) Bollard post is provided as shown. Concrete, foundation and/or installation ordered separately or provided by others.
- 2) Minimum foundation sizes depend on local soil conditions, weather conditions, and engineering requirements.
- 3) Dimensions provided herein is for reference only. Please consult Reliance Foundry sales professionals if any dimension is critical to your particular installation.
- 4) Reliance Foundry reserves the right to amend design and specifications without prior notice for product improvement.

PARTS LIST			
ITEM	QTY	PART NUMBER	DESCRIPTION
1	1	84014301	BASE
2	1	84004001	CAP
3	3	C00005	SET SCREW, FLAT-3/8 X 3/8
4	3	C00006	PLUG, FLAT TIP-3/8 SET SCREW



Unit 207, 6450 - 148 Street, Surrey, BC V3S 7G7, Canada
 1-877-789-3245 info@reliance-foundry.com
www.reliance-foundry.com

TITLE			
BOLLARD 8401-43AA			
SIZE	DWG NO	REV	
C	8401200-00	A00	
NOT TO SCALE		SHEET 1 OF 1	