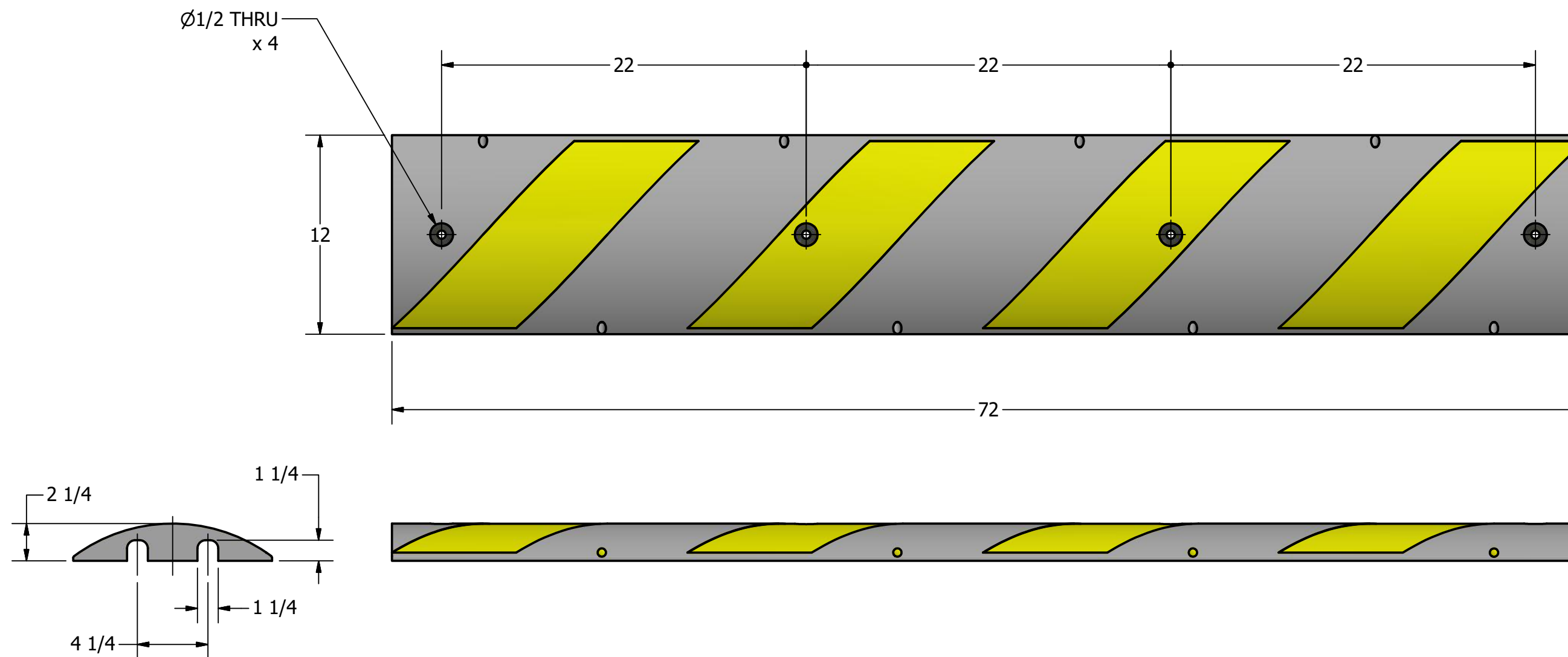


6' Speed Bump R-2036



General Description:

Speed bumps are the most effective means for slowing vehicles to 5 mph or less. Made from 100-percent recycled rubber, they feature reflective yellow stripes for optimal visibility in all weather and lighting conditions. Rubber is highly durable, form-fitting and won't crack, chip or peel with extended use—even under heavy commercial and industrial use. Speed bumps feature simple bolt-down or rebar spike installation and require minimal labor and equipment. Assemblies feature internal channeling to accommodate cables and/or drainage. Select from 4-foot and 6-foot lengths and use in tandem for large areas. Finish your assembly with tapered end caps.

Specifications:

Length: 72"
 Width: 12"
 Height: 2-1/4"
 Weight: 51 lbs

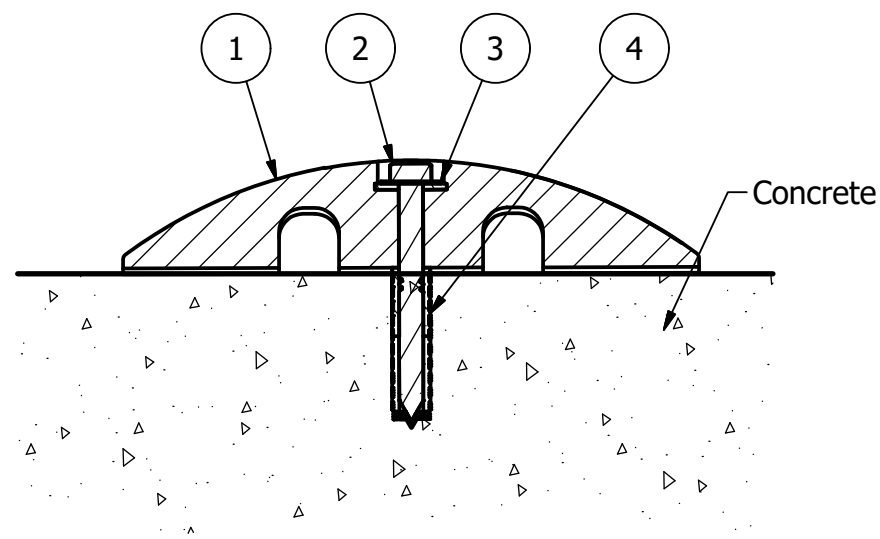
Material: Recycled Rubber Composite

Color Selections:

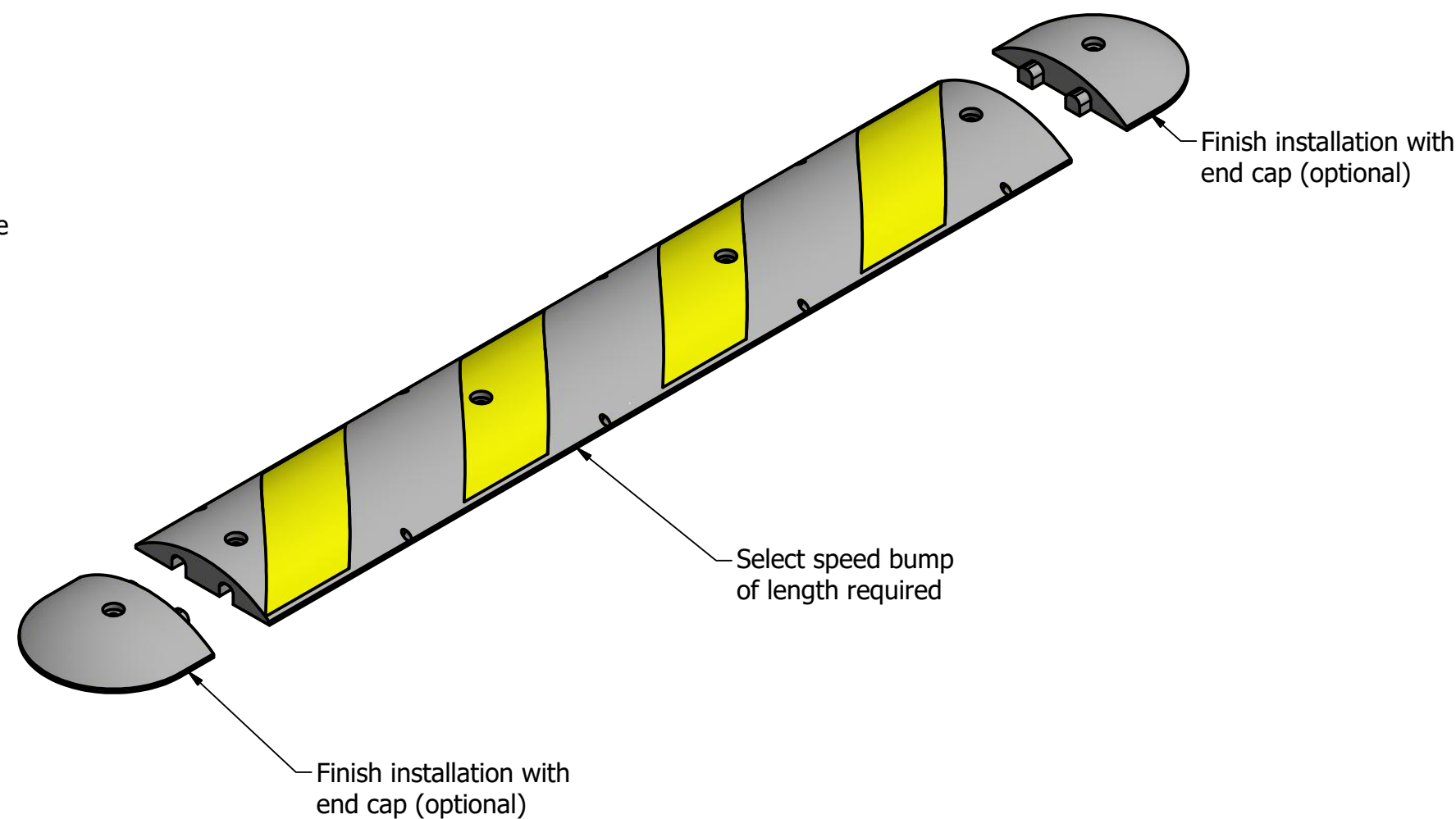
- ⊙ Yellow Stripe on Black: R-2036-YEL-BLK

Installation Options:

- ⊙ Concrete Installation w/ Lag Bolt (see sheet 1 of 2)
- Asphalt Installation w/ Rebar Spike (see sheet 2 of 2)



Concrete Installation w/ Lag Bolt and Lag Shield



PARTS LIST					
ITEM	QTY	PART NUMBER	DESCRIPTION	MATERIAL	WEIGHT
1	1	R2036	R2036 6' Rubber Speed Bump	Compression Molded Recycled Rubber Composite	51 lbs
2	4	Hex Lag Bolt 1/2" x 5"	Hex Lag Bolt 1/2" x 5" - requires 3/4" wrench (socket)	Steel HDG	1/4 lbs
3	4	Washer 1/2"	Washer 1/2" OD 1 1/4" Thick .05"	Steel Plated	
4	4	Lag Bolt Shield 1/2" x 3"	Lag Bolt Shield 1/2" x 3" - requires 3/4" x 3" hole (dia. x depth)	Steel HDG	1/8 lbs

RELIANCE FOUNDRY
 SINCE 1925

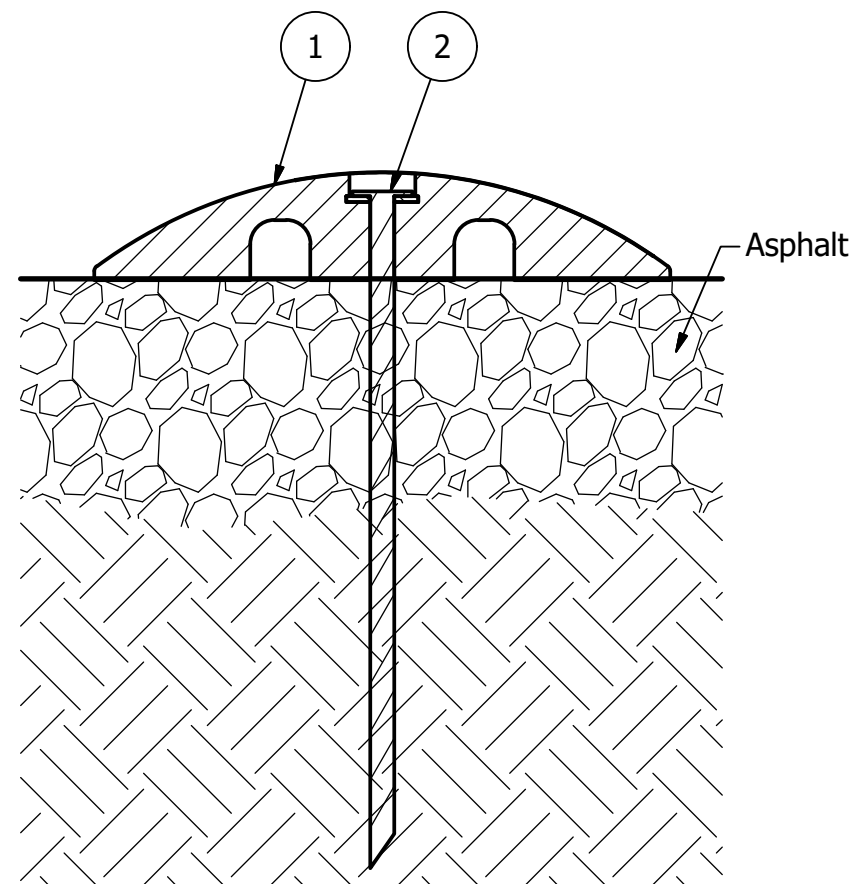
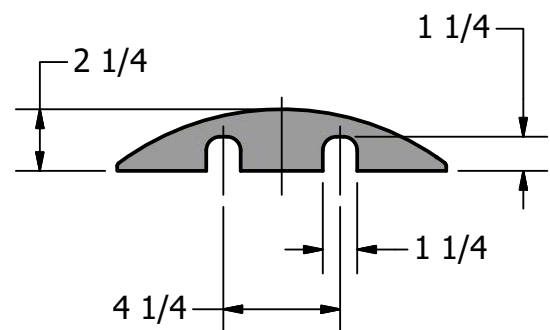
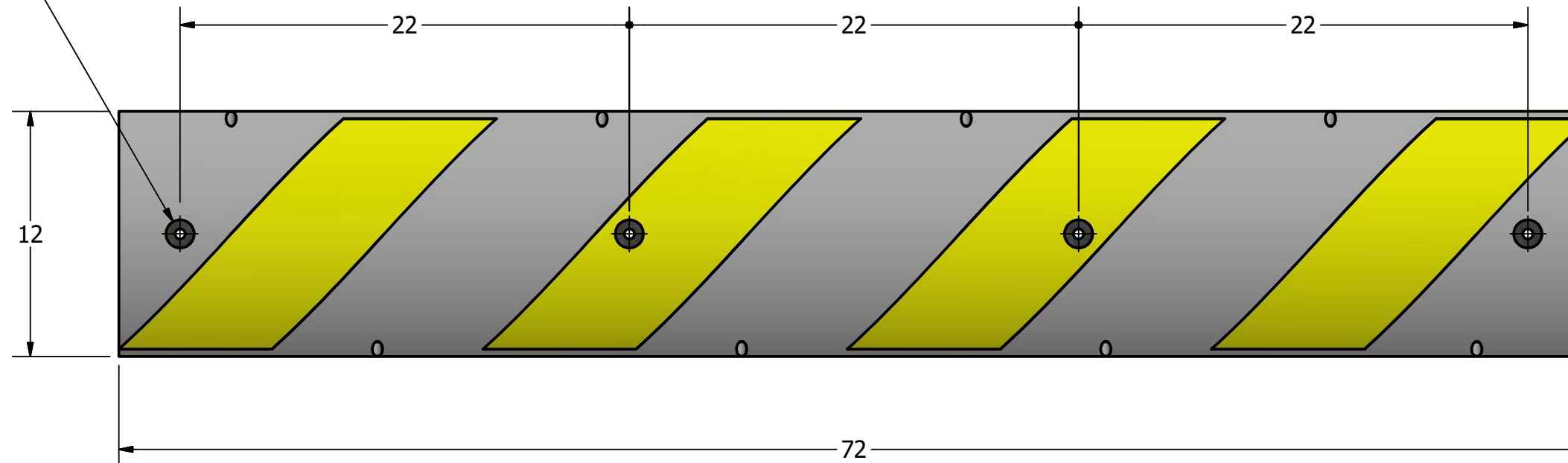
Unit 207, 6450 - 148 Street, Surrey, BC V3S 7G7, Canada
 1-888-735-5680 info@reliance-foundry.com
 www.reliance-foundry.com

6' Speed Bump R-2036

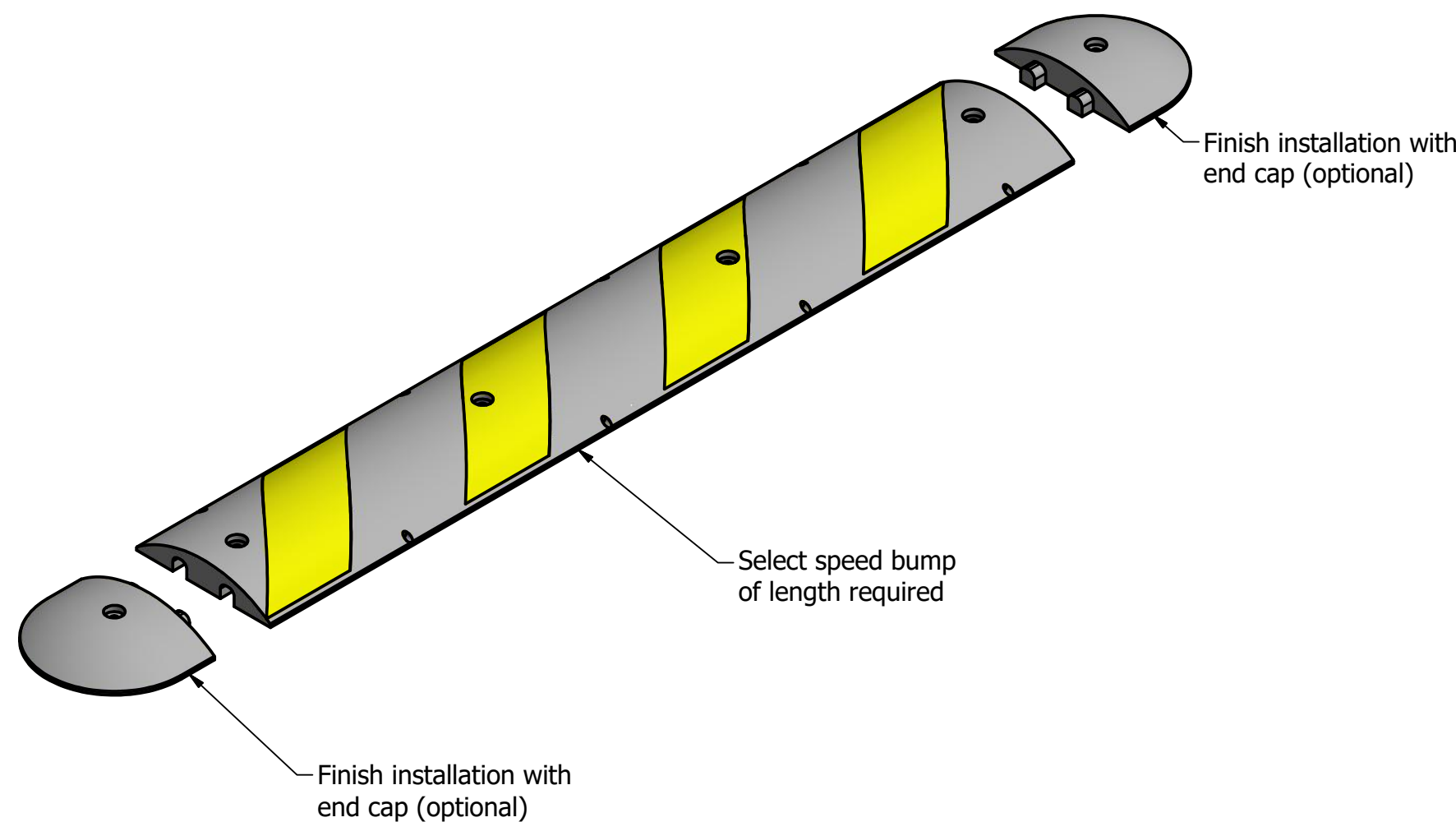
SIZE	DWG NO	REV
C	R2036	C2

6' Speed Bump R-2036

Ø1/2 THRU
x 4



Asphalt Installation
w/ Rebar Spike



General Description:

Speed bumps are the most effective means for slowing vehicles to 5 mph or less. Made from 100-percent recycled rubber, they feature reflective yellow stripes for optimal visibility in all weather and lighting conditions. Rubber is highly durable, form-fitting and won't crack, chip or peel with extended use—even under heavy commercial and industrial use. Speed bumps feature simple bolt-down or rebar spike installation and require minimal labor and equipment. Assemblies feature internal channeling to accommodate cables and/or drainage. Select from 4-foot and 6-foot lengths and use in tandem for large areas. Finish your assembly with tapered end caps.

Specifications:

Length: 72"

Width: 12"

Height: 2-1/4"

Weight: 51 lbs

Material: Recycled Rubber Composite

Color Selections:

- ⊙ Yellow Stripe on Black: R-2036-YEL-BLK

Installation Options:

- Concrete Installation w/ Lag Bolt (see sheet 1 of 2)
- ⊙ Asphalt Installation w/ Rebar Spike (see sheet 2 of 2)

RELIANCE FOUNDRY
SINCE 1925

Unit 207, 6450 - 148 Street, Surrey, BC V3S 7G7, Canada
1-888-735-5680 info@reliance-foundry.com
www.reliance-foundry.com

TITLE

**6' Speed Bump
R-2036**

SIZE
C

DWG NO
R2036

REV
C2

PARTS LIST						
ITEM	QTY	PART NUMBER	DESCRIPTION	MATERIAL	WEIGHT	
1	1	R2036	R2036 6' Rubber Speed Bump	Compression Molded Recycled Rubber Composite	51 lbs	
2	4	Rebar Spike 1/2" - 14"	Rebar Spike 1/2" - 14"	Steel HDG	3/4 lbs	