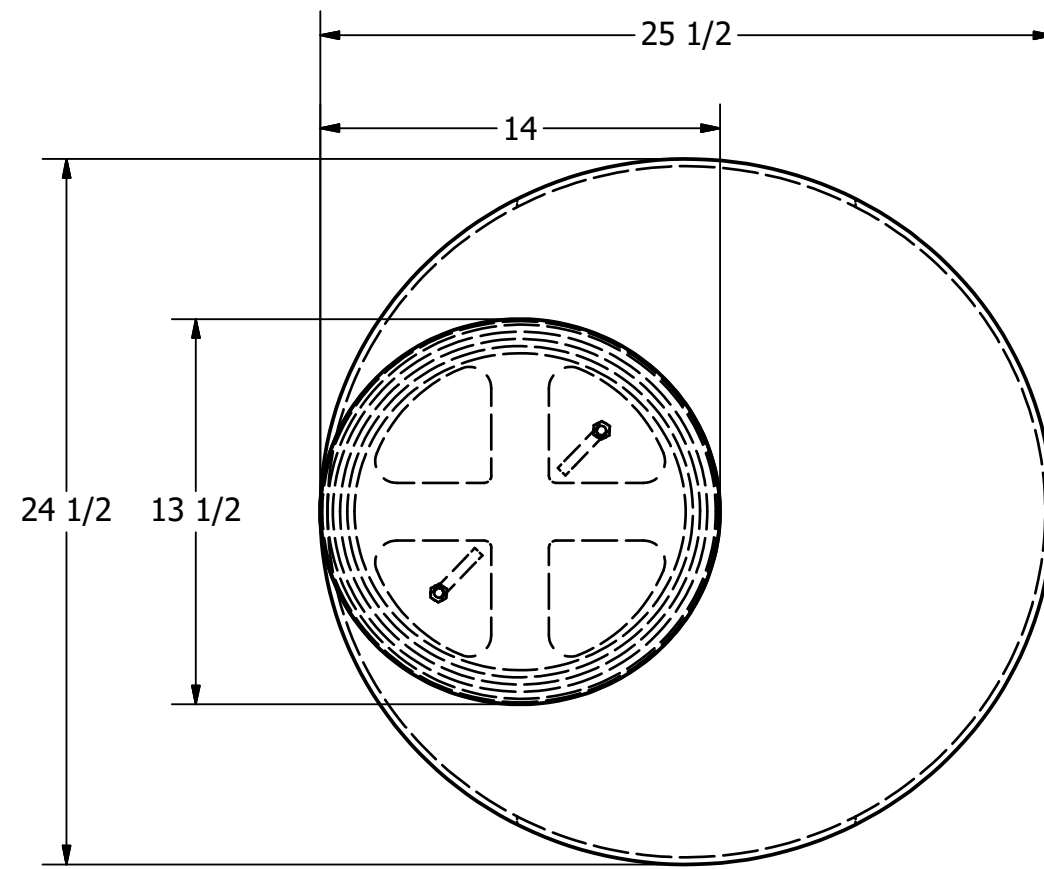


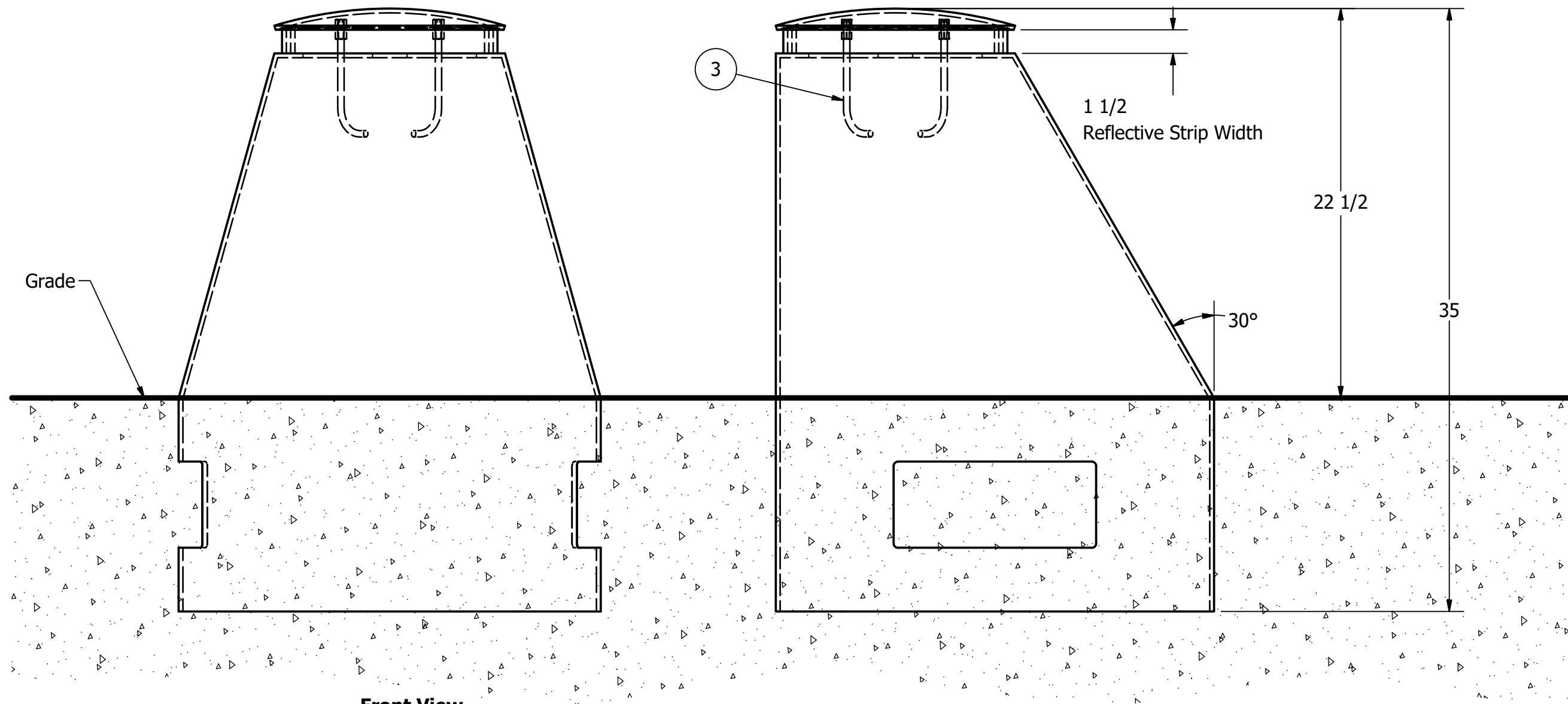
Isometric Top View Without Cover



Top View

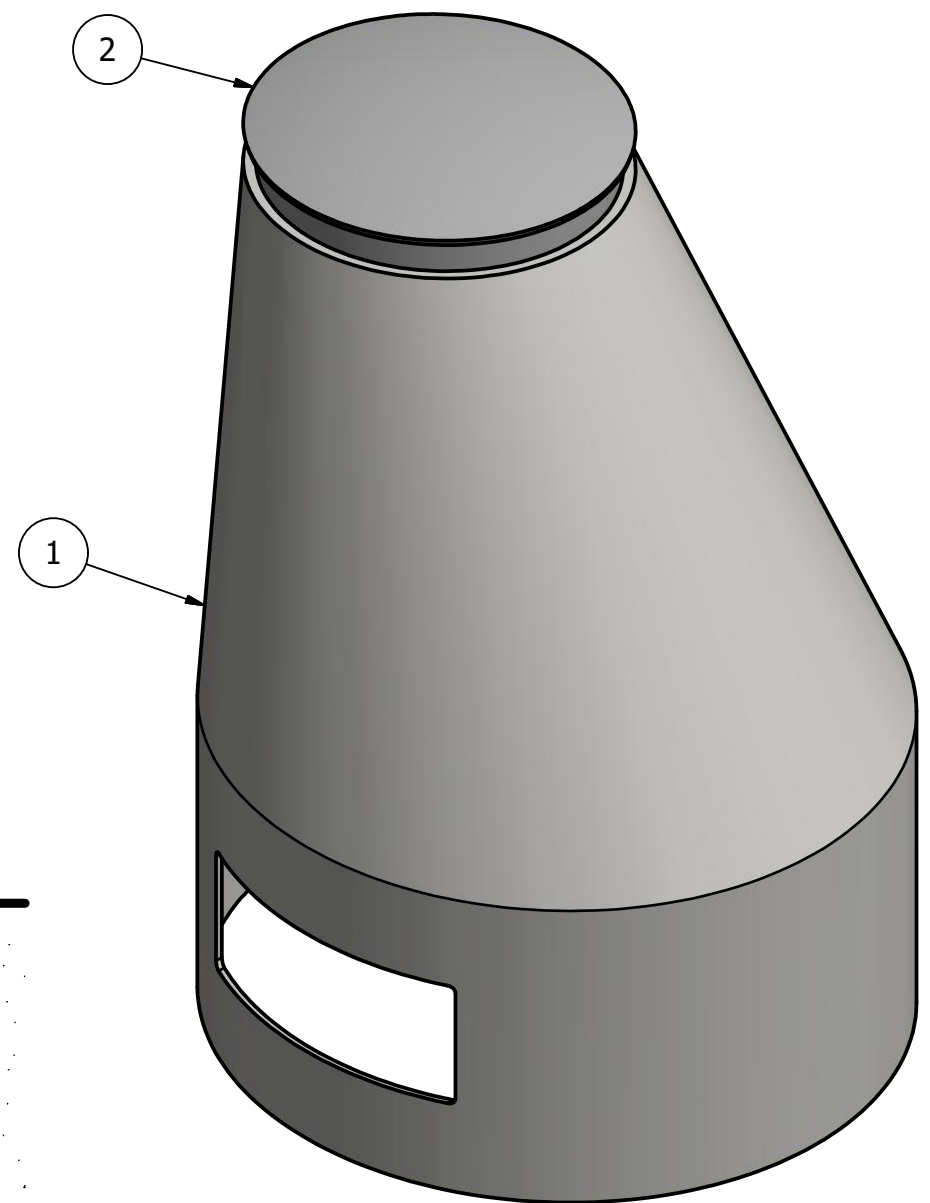
### R-7651-EM Embedded Mount Martello Bollard

The R-7651-EM Martello Bollard offers a unique blend of functionality and aesthetics--designed to draw vehicle attention and protect pedestrian areas. Conceptualized by Billings Jackson Design, its obtuse shape is modelled after historic Martello towers once prized as defensive outposts due to their solid form and construction. R-7651-EM bollards are embedded in ground to ensure a high level of impact protection. Steel construction comes powder coated in 1 of 6 standard colors. Copyright Billings Jackson Design.



Front View

Side View



Isometric View

**How to install:**

- 1) Attach concrete anchor to bollard cover
- 2) Fill bollard with concrete
- 3) Fit bollard cover onto bollard body and set anchor in wet concrete

PARTS LIST					
ITEM	QTY	PART NUMBER	DESCRIPTION	MATERIAL	WEIGHT (lb)
1	1	R7651EMB	Bollard Body	Steel A36	160
2	1	R7651EMC	Bollard Cover with Reflective Strip	Steel A36	20
3	2	R7651EMAN	Concrete Anchor	Steel A36	2

**RELIANCE FOUNDRY**  
SINCE 1925

Unit 207, 6450 - 148 Street, Surrey, BC V3S 7G7, Canada  
1-888-735-5680 info@reliance-foundry.com  
www.reliance-foundry.com

TITLE  
**Martello Bollard R-7651-EM**

SIZE <b>C</b>	DWG NO <b>0215-5-0</b>	REV Db
------------------	---------------------------	-----------

SHEET 1 OF 1