

Fixed

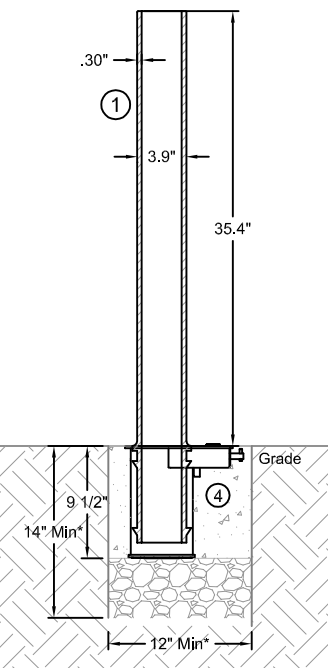
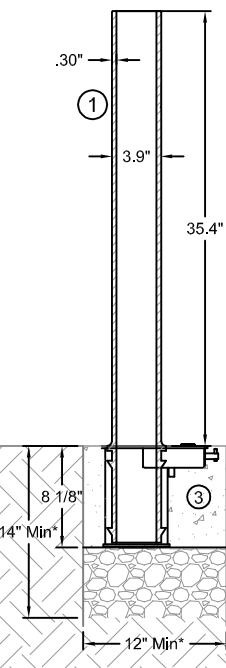
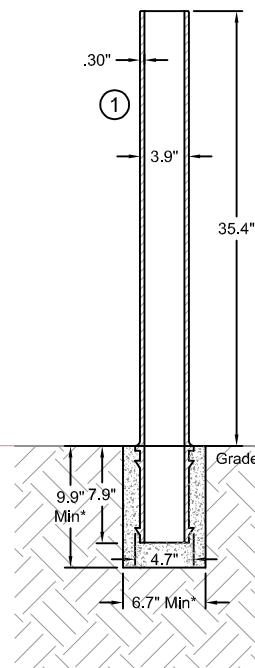
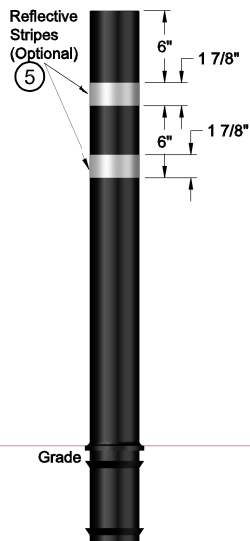
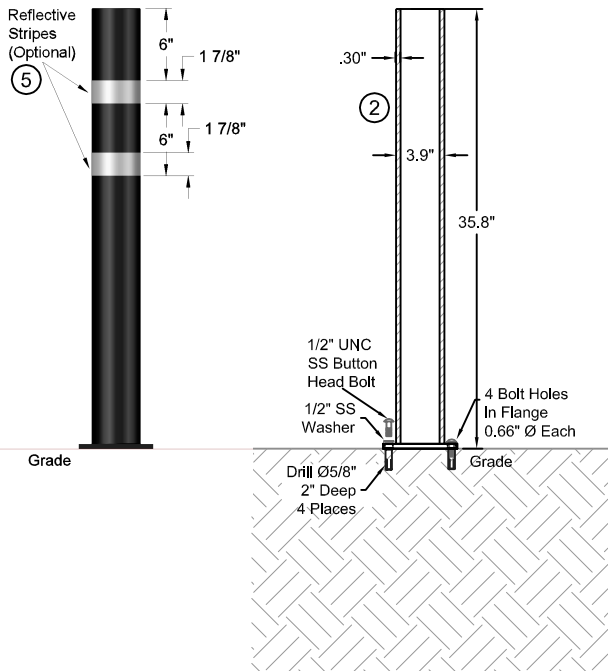
Removable

Surface Mount

Embedded

**Light Duty Mount
Keyed Lock/Unlock**

**Heavy Duty Mount
Quick Lock,
Keyed Unlock**



At Bottom Of Receiver, Threaded Holes Must Be Protected From Concrete During Installation Pour.

* Minimum foundation size depends on local soil conditions, weather conditions & engineering requirements

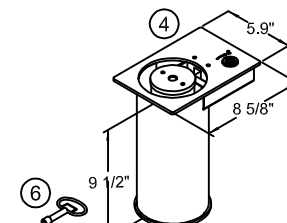
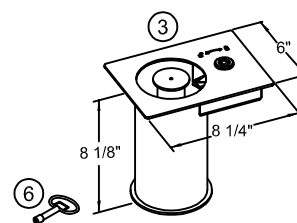
Thermal Stability: Good, +/-10 SHORE D (medium hard, flexibility similar to tire tread)

Working Temperature: -40/+60 Degree C (-104/+140 Degree F)

Fire Resistance: Class E, as per UNE-EN-ISO 11925-2:2002, suitable for use as bollard in the street

Impact Resistance: Test of 50 impacts, bending the bollard through 90 degree, simulating a 1500kg(3307lb) vehicle at 15 km/h (9.3 mph)

Fatigue Resistance: Test of 500 impacts, bending the bollard through 45 degree, at interval of 30 seconds



Bollard				
Item	Part Number	Description	Material	Weight
1	R-8302	Flexible Bollard, Embedded/Removable Mount	Composite Polymer	8 lbs.
2	R-8302 - Flanged	Flexible Bollard, Surface Mount	Composite Polymer	8 lbs

Mount Options & Accessories				
Item	Part Number	Description	Material	Weight
3		Removable Mount, Light Duty, 100 mm	Steel	6.2 lbs
4		Removable Mount, Heavy Duty, 100 mm	Steel	8.8 lbs
5		Reflective Tape - White, Yellow Or Blue		
6		Removable Mount Key (1 Key included Per Mount, Optional Additional Keys Available)		



Unit 207, 6450 - 148 Street, Surrey, BC, Canada V3S-7G7
 1-888-735-5680 - info@reliance-foundry.com
www.reliance-foundry.com | www.bollards.ca | www.bike-parking.ca

Flexible Bollard, Model R-8302

SCALE	NTS	DRAWING NUMBER	SIZE	REV.
DESIGN		R-8302	A	1
DATE	01/25/2012			