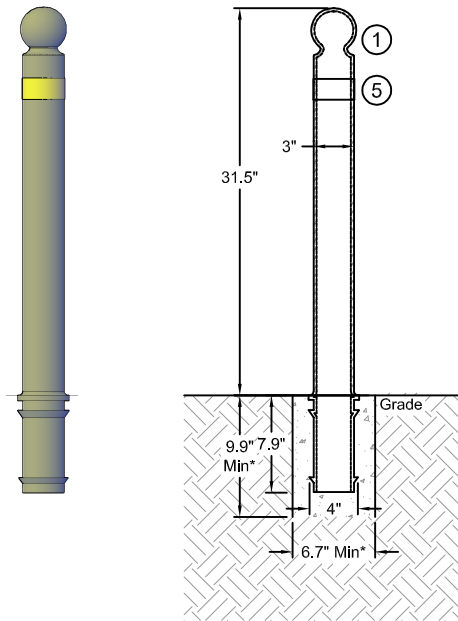


**Fixed**

**Embedded**



\* Minimum foundation size depends on local soil conditions, weather conditions & engineering requirements

**Thermal Stability:** Good, +/-10 SHORE D (medium hard, flexibility similar to tire thread)

**Working Temperature:** -40/+60 Degree C (-104/+140 Degree F)

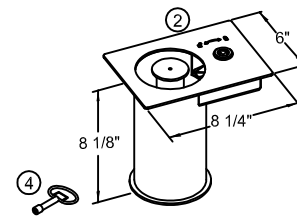
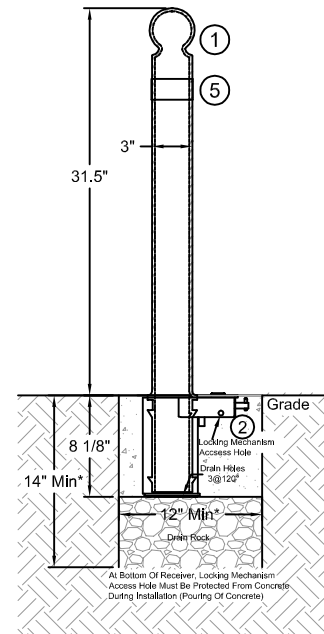
**Fire Resistance:** Class E, as per UNE-EN-ISO 11925-2:2002, suitable for use as bollard in the street

**Impact Resistance:** Test of 50 impacts, bending the bollard through 90 degree, simulating a 1500kg(3307lb) vehicle at 15 km/h (9.3 mph)

**Fatigue Resistance:** Test of 500 impacts, bending the bollard through 45 degree, at interval of 30 seconds

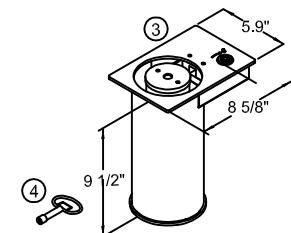
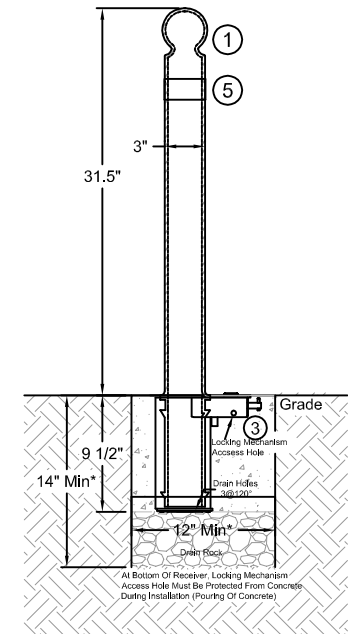
**Removable**

**Light Duty Mount  
Keyed Lock/Unlock**



Light Duty Removable Mount

**Heavy Duty Mount  
Quick Lock  
Keyed Unlock**



Heavy Duty Removable Mount

**Mount Options & Accessories**

Item	Part Number	Description	Material	Weight
2		Removable Mount, Light Duty	Steel	6.0 lbs
3		Removable Mount, Heavy Duty	Steel	6.6 lbs
4		Removable Mount Key (1 Key included Per Mount, Optional Additional Keys Available)	Steel	
5		Reflective Tape - White, Yellow Or Blue (Optional)	Plastic	

**Flexible Bollard**

Item	Part Number	Description	Material	Weight
1	R-8301	Flexible Bollard, Embedded/Removable Mount	Polyurethane	8 lbs.

REV	DATE	DESCRIPTION	DR

**RELIANCE FOUNDRY**  
CO. LTD.

Unit 207, 6450 - 148 Street, Surrey, BC, Canada V3S-7G7  
1-888-735-5680 - [info@reliance-foundry.com](mailto:info@reliance-foundry.com)  
[www.reliance-foundry.com](http://www.reliance-foundry.com) | [www.bollards.ca](http://www.bollards.ca) | [www.bike-parking.ca](http://www.bike-parking.ca)

**Boule Flexible Bollard, Model R-8301**

SCALE	NTS	DRAWING NUMBER	SIZE	REV.
DESIGN		R-8301	A	A
DATE	01/30/2014			