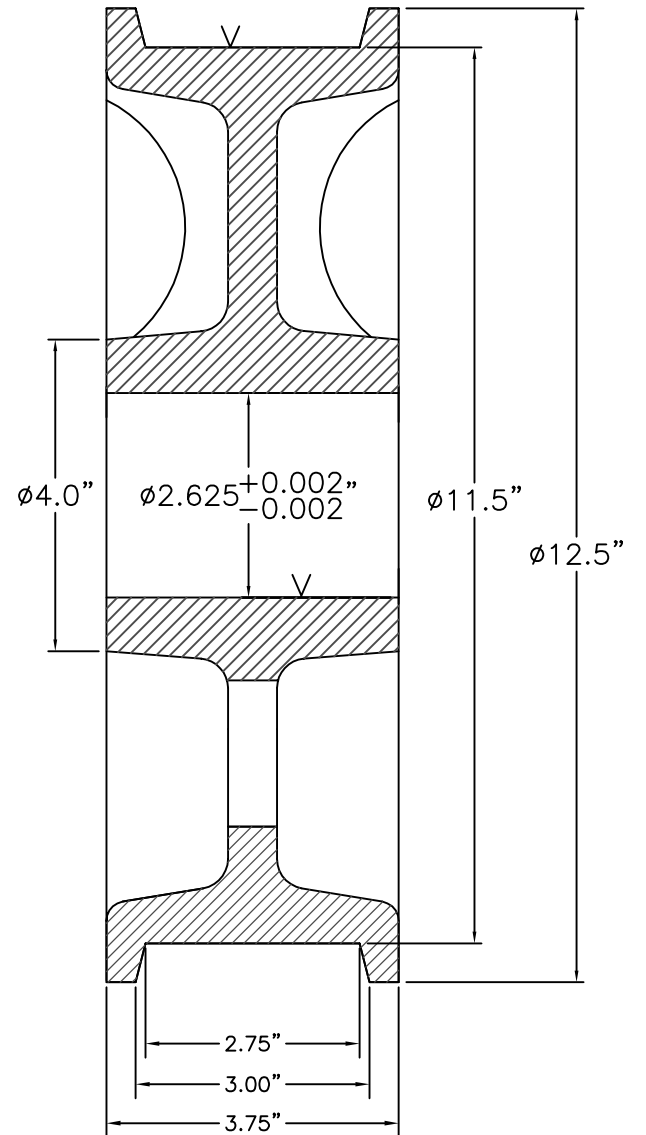


Material: CAST STEEL



RELIANCE FOUNDRY Co. Ltd.

#207 - 6450 148TH ST. SURREY BC V3S 7G7
 1-888-735-5680 WWW.RELIANCE-FOUNDRY.COM

DF WHEEL

COPYRIGHT RESERVED
 THIS PLAN AND DESIGN ARE, AND AT ALL TIMES, REMAIN THE EXCLUSIVE
 PROPERTY OF RELIANCE FOUNDRY CO. LTD. AND
 CANNOT BE USED OR REPRODUCED WITHOUT WRITTEN CONSENT.

FABRICATOR TO VERIFY ALL DIMENSIONS BEFORE PROCEEDING.
 DIMENSIONS ALWAYS TAKE PRECEDENCE OVER SCALE DIMENSIONS.
 ALL CONSTRUCTION SHALL COMPLY WITH THESE APPROVED
 DRAWINGS AND THE OWNER'S REPRESENTATIVE.

ISSUE NO.		D M Y DATE		DESCRIPTION		DR	CH	APP	FILE	DATE JAN. 21/10	SCALE	APPR. BY.	SIZE	REV.
									DRAWN					
									CHKD					
									DESIGN					
											DRAWING NUMBER R-3688H			