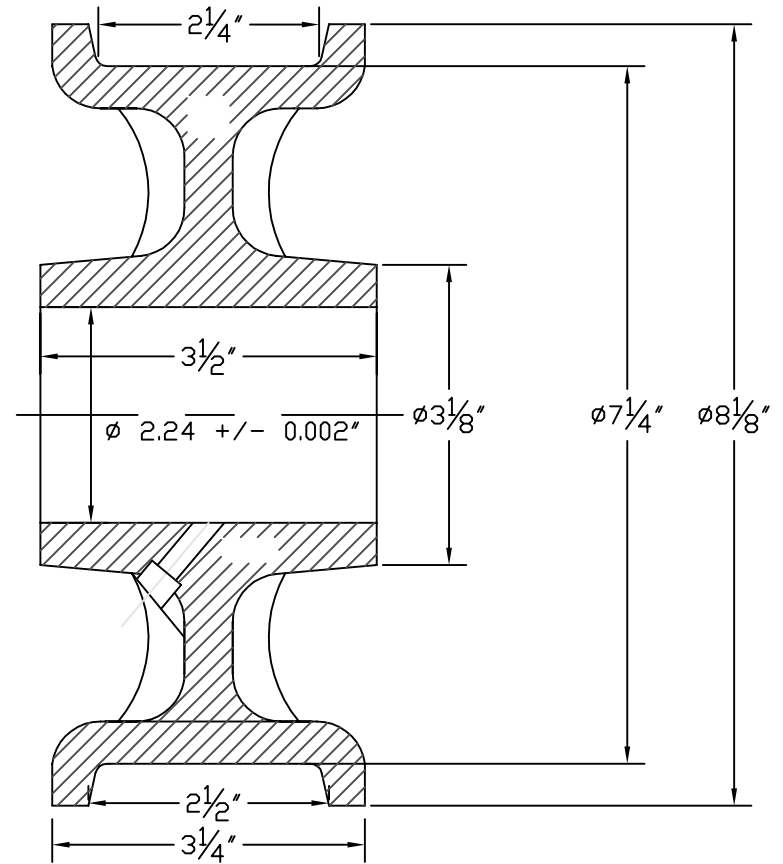


DRILLED AND TAPPED FOR  
GREASE FITTING 1/8" PIPE  
THREAD



Material: CAST STEEL

RELIANCE FOUNDRY Co, Ltd.  
#207 - 6450 148TH ST. SURREY BC V3S 7G7  
1-888-735-5680 WWW.RELIANCE-FOUNDRY.COM

					FILE: JAN. 21/10			
					DATE	SCALE	APPR. BY.	
					DRAWN	DRAWING NUMBER R-3547W		
					CHKD	SIZE	REV.	
ISSUE NO.	D M Y DATE	DESCRIPTION	DR	CH	APP			

COPYRIGHT RESERVED  
THIS PLAN AND DESIGN ARE, AND AT ALL TIMES, REMAIN THE EXCLUSIVE  
PROPERTY OF RELIANCE FOUNDRY CO. LTD. AND  
CANNOT BE USED OR REPRODUCED WITHOUT WRITTEN CONSENT.

FABRICATOR TO VERIFY ALL DIMENSIONS BEFORE PROCEEDING.  
DIMENSIONS ALWAYS TAKE PRECEDENCE OVER SCALE DIMENSIONS.  
ALL CONSTRUCTION SHALL COMPLY WITH THESE APPROVED  
DRAWINGS AND THE OWNER'S REPRESENTATIVE.