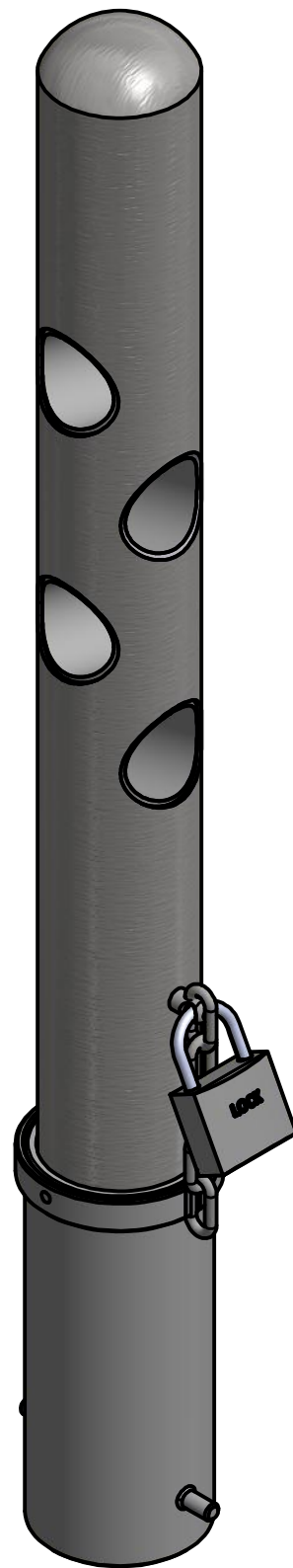


# Bike Bollard, Model R-7972

Removable Receiver with Lid  
(for detail, see sheet 2 of 6)



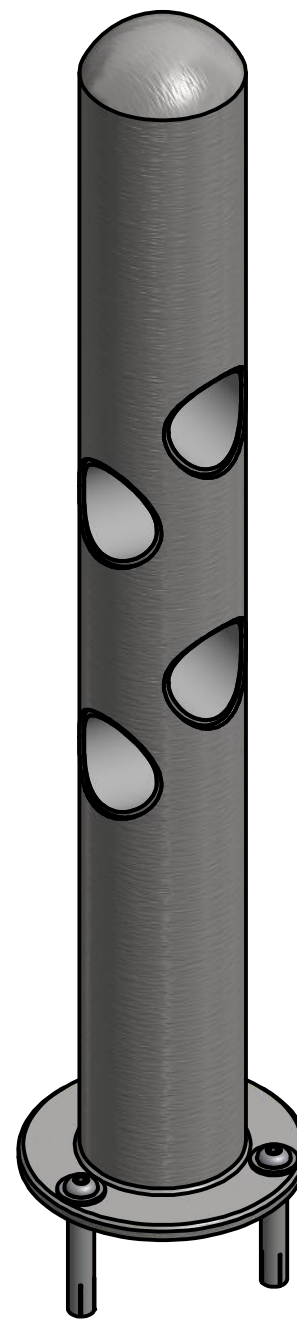
Removable Receiver with Chain  
(for detail, see sheet 3 of 6)



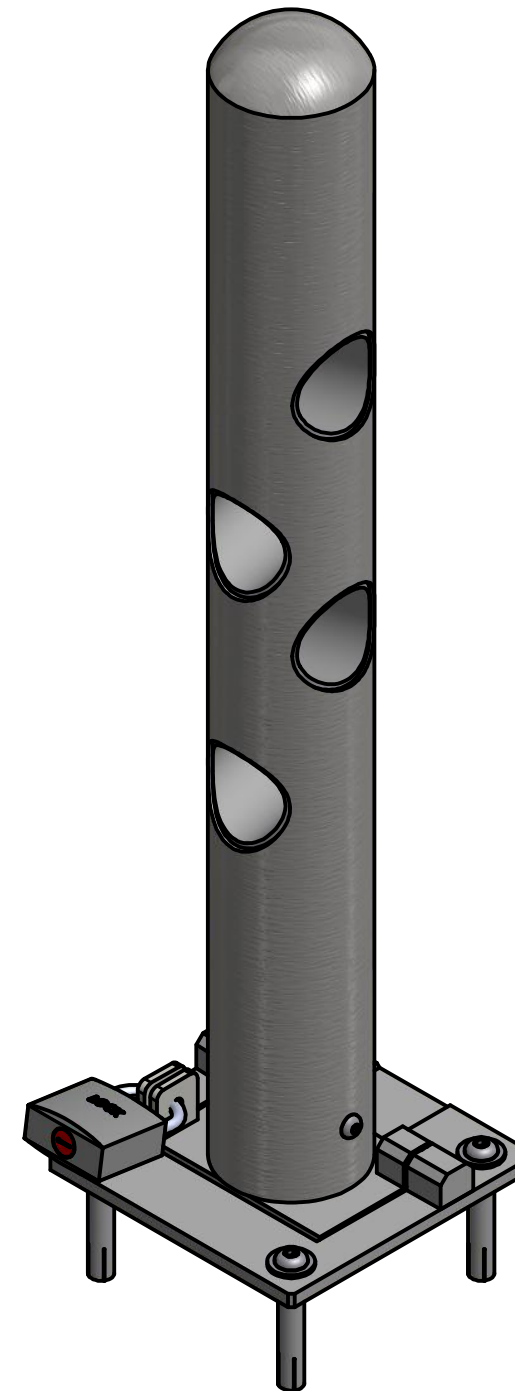
Fixed Embedded Mount  
(for detail, see sheet 4 of 6)



Flanged Surface Mount  
(for detail, see sheet 5 of 6)



Fold Down Mount  
(for detail, see sheet 6 of 6)



5 Available Mounting Options

## General Description:

The R-7972 Bike Bollard features a slim, eclectic design free of protruding locking arms--suitable for dense urban areas. It balances the standard functionality of a pedestrian bollard, segregating vehicles from unobstructed foot traffic, while offering unique and secure bicycle storage. Cylindrical cavities pass through the vertical shaft to accommodate chains and U-locks to secure up to 2 bikes at a time. Cylindrical holes are angled to prevent collection of dust/debris and are spaced to accommodate bikes of varying sizes. R-7972 Bike Bollards are made from carbon steel and powder coated in 1 of 6 custom colors. Select from a range of mounting options: bolt-down flange, in-ground embed, fold-down and removable mountings.

For more information on bollard post installation, please visit:  
<http://www.reliance-foundry.com/bollard/installation-bollards>

## Specifications:

Height: 36"

Base Diameter: 4 5/16"

Weight: 32 lbs ( Bollard Post )

Material: Steel ( ASTM A36 )

### Finish Options:

✓ Polyester Powdercoated

See Reliance Foundry's standard color options at

<http://www.reliance-foundry.com/bollard/colors-bollards>

**RELIANCE FOUNDRY**  
SINCE 1925

Unit 207, 6450 - 148 Street, Surrey, BC V3S 7G7, Canada

1-888-735-5680 info@reliance-foundry.com

<http://www.reliance-foundry.com>

TITLE

**Bike Bollard, Model R-7972**

SIZE

C

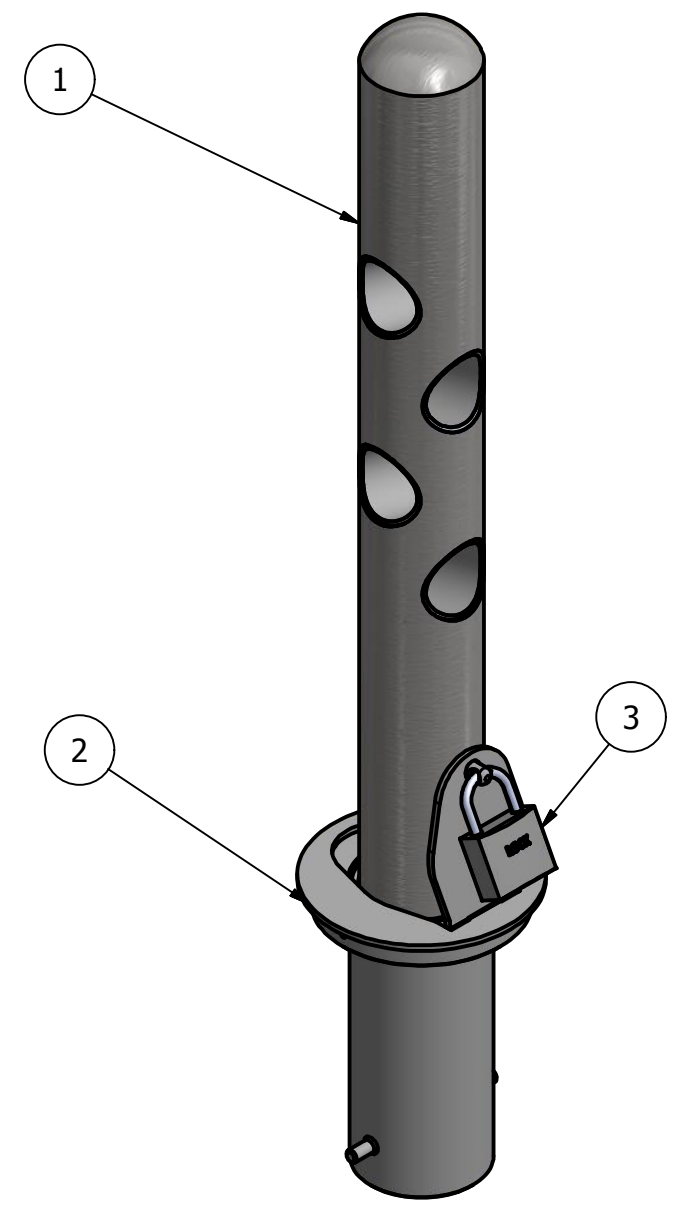
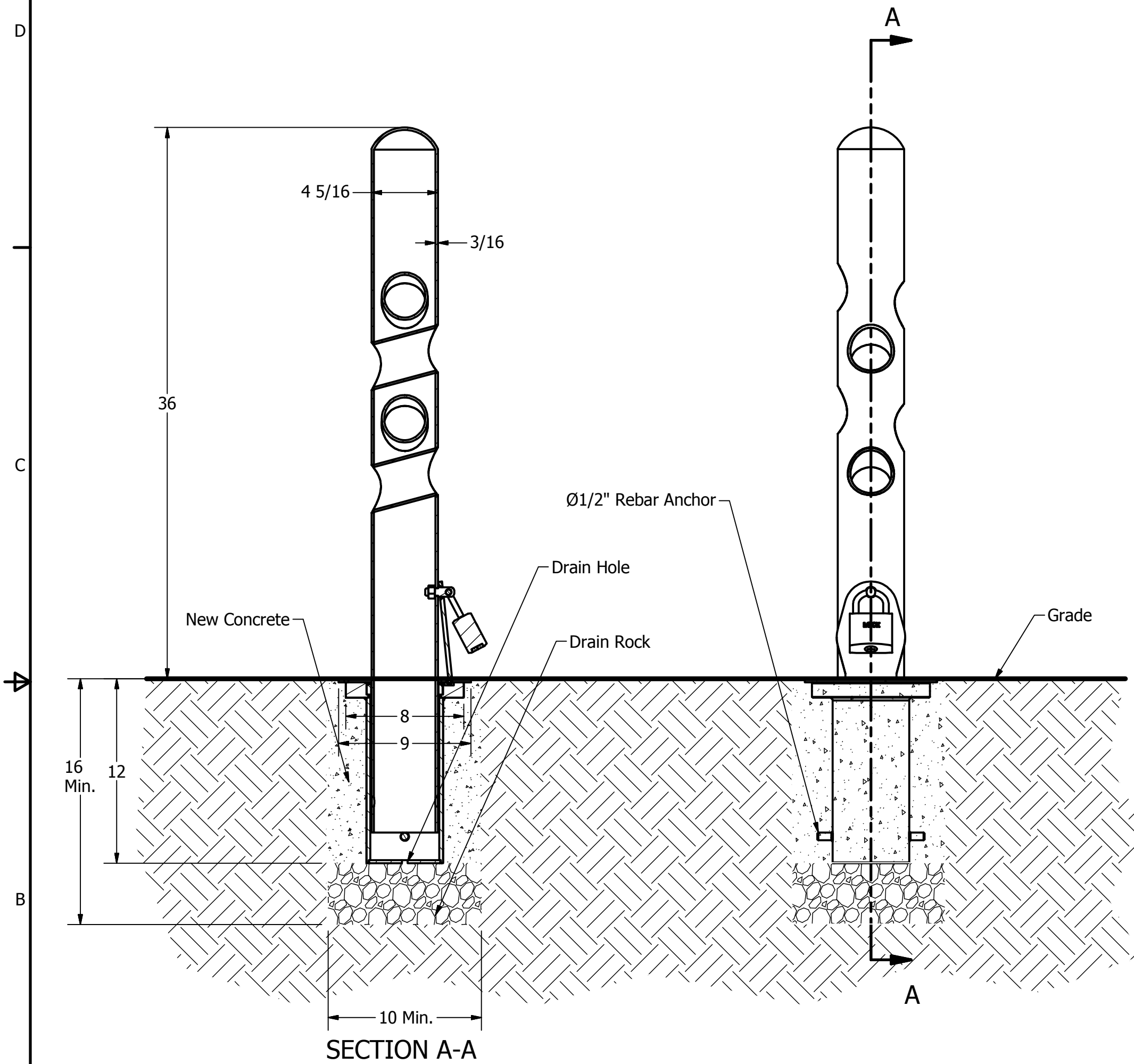
DWG NO

R-7972

REV

A

# Bike Bollard, Model R-7972



## General Description:

The R-7972 Bike Bollard features a slim, eclectic design free of protruding locking arms--suitable for dense urban areas. It balances the standard functionality of a pedestrian bollard, segregating vehicles from unobstructed foot traffic, while offering unique and secure bicycle storage. Cylindrical cavities pass through the vertical shaft to accommodate chains and U-locks to secure up to 2 bikes at a time. Cylindrical holes are angled to prevent collection of dust/debris and are spaced to accommodate bikes of varying sizes. R-7972 Bike Bollards are made from carbon steel and powder coated in 1 of 6 custom colors. Select from a range of mounting options: bolt-down flange, in-ground embed, fold-down and removable mountings.

For more information on bollard post installation, please visit: <http://www.reliance-foundry.com/bollard/installation-bollards>

## Specifications:

- Height: 36"
- Base Diameter: 4 5/16"
- Weight: 32 lbs ( Bollard Post )
- Material: Steel ( ASTM A36 )

### Finish Options:

- ✓ Polyester Powdercoated
- See Reliance Foundry's standard color options at <http://www.reliance-foundry.com/bollard/colors-bollards>

## Mount Options:

- ✓ Removable Receiver with Lid (see sheet 2 of 6)
- Removable Receiver with Chain (see sheet 3 of 6)
- Fixed Embedded Mount (see sheet 4 of 6)
- Flanged Surface Mount (see sheet 5 of 6)
- Fold Down Mount (see sheet 6 of 6)

## Removable Receiver with Lid

### Notes:

- Embedment details are for reference illustration only. Minimum foundation sizes depend on local soil conditions, weather conditions, and engineering requirements.
- Bollard post is provided as shown, with material detailed in legend below. Concrete, foundation and/or installation ordered separately or provided by others.
- This drawing is not drawn to scale. Dimensions provided herein is for reference only. Please consult Reliance Foundry sales professionals if any dimension is critical to your particular installation.
- Reliance Foundry reserves the right to amend design and specifications without prior notice for product improvement.

PARTS LIST					
ITEM	QTY	PART NUMBER	DESCRIPTION	MATERIAL	WEIGHT
1	1	R-7972	Bollard Post	Steel (ASTM A36)	32 lbs
2	1	R-7901-R	Removable Receiver with Lid	Galvanized Steel, c/w SAE 304 Stainless Steel Cover	22 lbs
3	1	Padlock (Optional)	Optional Padlock ( Regular or Marine Grade )	Regular=Brass, Marine=Brass w/ Chrome Plating	

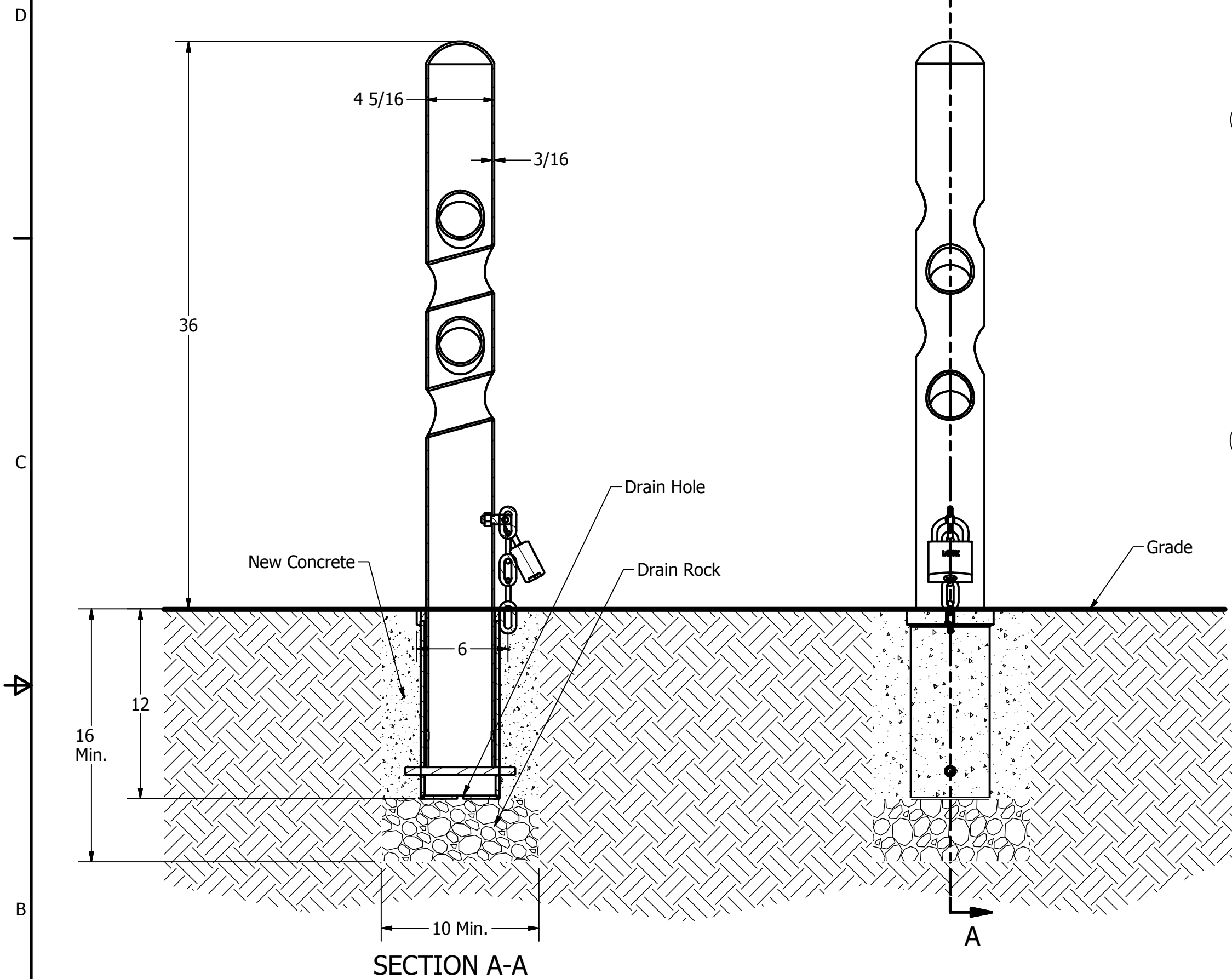


Unit 207, 6450 - 148 Street, Surrey, BC V3S 7G7, Canada  
 1-888-735-5680 info@reliance-foundry.com  
<http://www.reliance-foundry.com>

TITLE			
<b>Bike Bollard, Model R-7972</b>			
SIZE	DWG NO	REV	
C	R-7972	A	



# Bike Bollard, Model R-7972



## Removable Receiver with Chain

### General Description:

The R-7972 Bike Bollard features a slim, eclectic design free of protruding locking arms--suitable for dense urban areas. It balances the standard functionality of a pedestrian bollard, segregating vehicles from unobstructed foot traffic, while offering unique and secure bicycle storage. Cylindrical cavities pass through the vertical shaft to accommodate chains and U-locks to secure up to 2 bikes at a time. Cylindrical holes are angled to prevent collection of dust/debris and are spaced to accommodate bikes of varying sizes. R-7972 Bike Bollards are made from carbon steel and powder coated in 1 of 6 custom colors. Select from a range of mounting options: bolt-down flange, in-ground embed, fold-down and removable mountings.

For more information on bollard post installation, please visit: <http://www.reliance-foundry.com/bollard/installation-bollards>

### Specifications:

Height: 36"  
 Base Diameter: 4 5/16"  
 Weight: 32 lbs ( Bollard Post )  
 Material: Steel ( ASTM A36 )

### Finish Options:

- ✓ Polyester Powdercoated
- See Reliance Foundry's standard color options at <http://www.reliance-foundry.com/bollard/colors-bollards>

### Mount Options:

- Removable Receiver with Lid (see sheet 2 of 6)
- ✓ Removable Receiver with Chain (see sheet 3 of 6)
- Fixed Embedded Mount (see sheet 4 of 6)
- Flanged Surface Mount (see sheet 5 of 6)
- Fold Down Mount (see sheet 6 of 6)

### Notes:

- Embedment details are for reference illustration only. Minimum foundation sizes depend on local soil conditions, weather conditions, and engineering requirements.
- Bollard post is provided as shown, with material detailed in legend below. Concrete, foundation and/or installation ordered separately or provided by others.
- This drawing is not drawn to scale. Dimensions provided herein is for reference only. Please consult Reliance Foundry sales professionals if any dimension is critical to your particular installation.
- Reliance Foundry reserves the right to amend design and specifications without prior notice for product improvement.

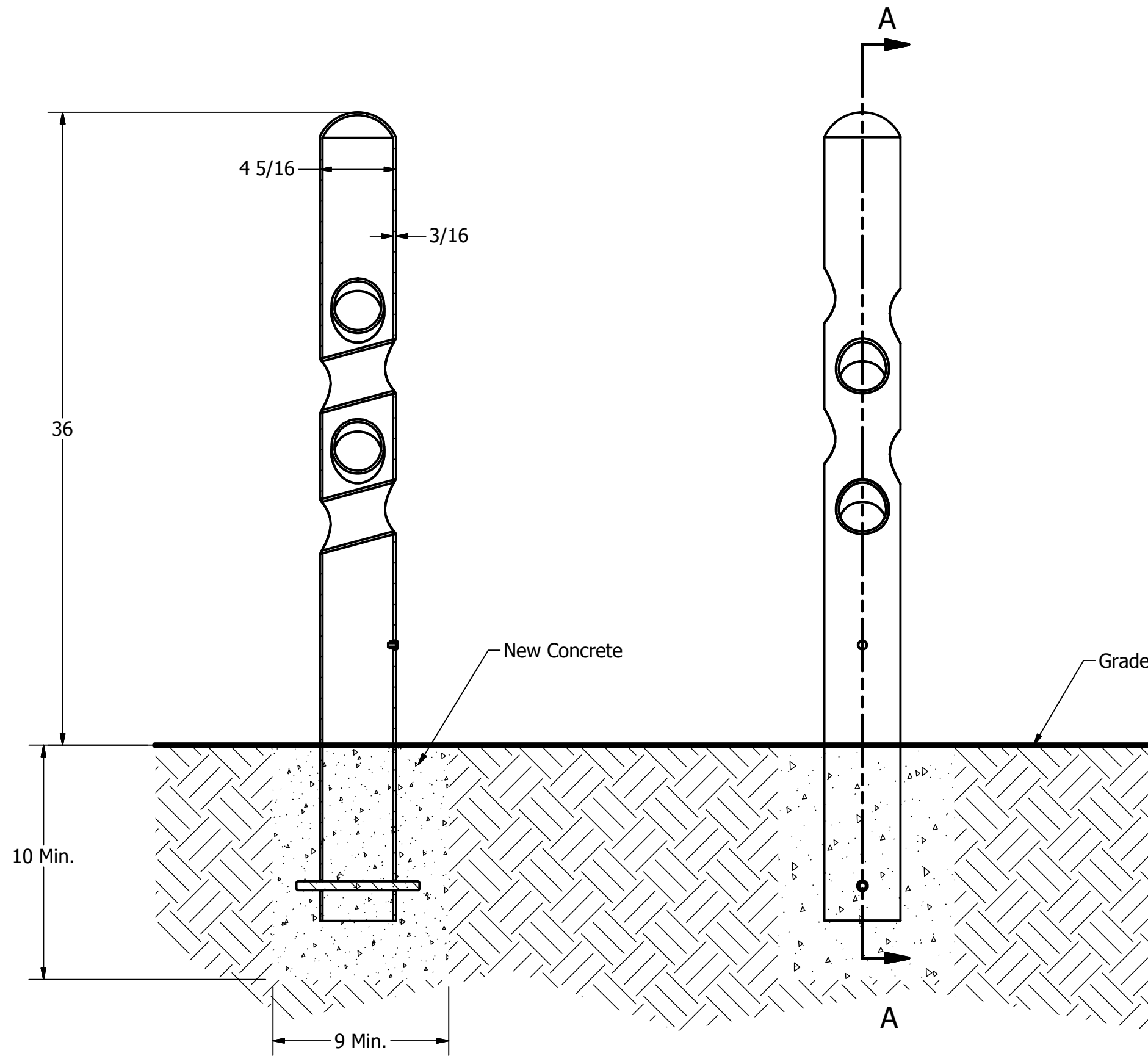
PARTS LIST					
ITEM	QTY	PART NUMBER	DESCRIPTION	MATERIAL	WEIGHT
1	1	R-7972	Bollard Post	Steel (ASTM A36)	32 lbs
2	1	R-7902-R	Removable Receiver with Chain (chain approx. 12" in length)	Galvanized Steel, c/w SAE 304 Stainless Steel Chain	16 lbs
3	1	Padlock (Optional)	Optional Padlock ( Regular or Marine Grade )	Regular=Brass, Marine=Brass w/ Chrome Plating	
4	1	Cover (Optional)	Cover for Removable Receiver with Chain ( Welded to Chain Optional )	Stainless Steel SAE 304	2 lbs

**RELIANCE FOUNDRY**  
SINCE 1925

Unit 207, 6450 - 148 Street, Surrey, BC V3S 7G7, Canada  
 1-888-735-5680 info@reliance-foundry.com  
<http://www.reliance-foundry.com>

TITLE			
<b>Bike Bollard, Model R-7972</b>			
SIZE	DWG NO	REV	
C	R-7972	A	

# Bike Bollard, Model R-7972



SECTION A-A

## Fixed Installation in New Concrete

### Notes:

- Embedment details are for reference illustration only. Minimum foundation sizes depend on local soil conditions, weather conditions, and engineering requirements.
- Bollard post is provided as shown, with material detailed in legend below. Concrete, foundation and/or installation ordered separately or provided by others.
- This drawing is not drawn to scale. Dimensions provided herein is for reference only. Please consult Reliance Foundry sales professionals if any dimension is critical to your particular installation.
- Reliance Foundry reserves the right to amend design and specifications without prior notice for product improvement.

PARTS LIST					
ITEM	QTY	PART NUMBER	DESCRIPTION	MATERIAL	WEIGHT
1	1	R-7972	Bollard Post	Steel (ASTM A36)	32 lbs
2	1	Plug	Plastic Hole Plug	Plastic	
3	1	Rebar	Concrete Rebar Anchor	Steel	

### General Description:

The R-7972 Bike Bollard features a slim, eclectic design free of protruding locking arms--suitable for dense urban areas. It balances the standard functionality of a pedestrian bollard, segregating vehicles from unobstructed foot traffic, while offering unique and secure bicycle storage. Cylindrical cavities pass through the vertical shaft to accommodate chains and U-locks to secure up to 2 bikes at a time. Cylindrical holes are angled to prevent collection of dust/debris and are spaced to accommodate bikes of varying sizes. R-7972 Bike Bollards are made from carbon steel and powder coated in 1 of 6 custom colors. Select from a range of mounting options: bolt-down flange, in-ground embed, fold-down and removable mountings.

For more information on bollard post installation, please visit: <http://www.reliance-foundry.com/bollard/installation-bollards>

### Specifications:

Height: 36"

Base Diameter: 4 5/16"

Weight: 32 lbs ( Bollard Post )

Material: Steel ( ASTM A36 )

#### Finish Options:

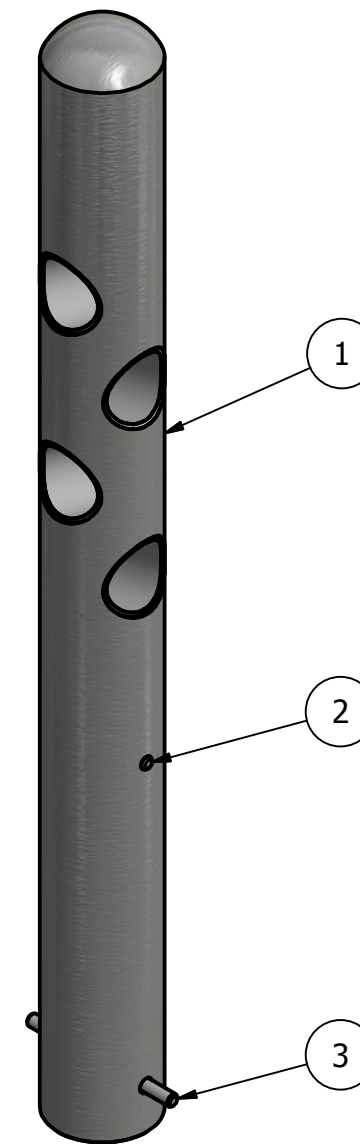
✓ Polyester Powdercoated

See Reliance Foundry's standard color options at

<http://www.reliance-foundry.com/bollard/colors-bollards>

### Mount Options:

- Removable Receiver with Lid (see sheet 2 of 6)
- Removable Receiver with Chain (see sheet 3 of 6)
- ✓ Fixed Embedded Mount (see sheet 4 of 6)
- Flanged Surface Mount (see sheet 5 of 6)
- Fold Down Mount (see sheet 6 of 6)



**RELIANCE FOUNDRY**  
SINCE 1925

Unit 207, 6450 - 148 Street, Surrey, BC V3S 7G7, Canada  
1-888-735-5680 info@reliance-foundry.com  
<http://www.reliance-foundry.com>

TITLE

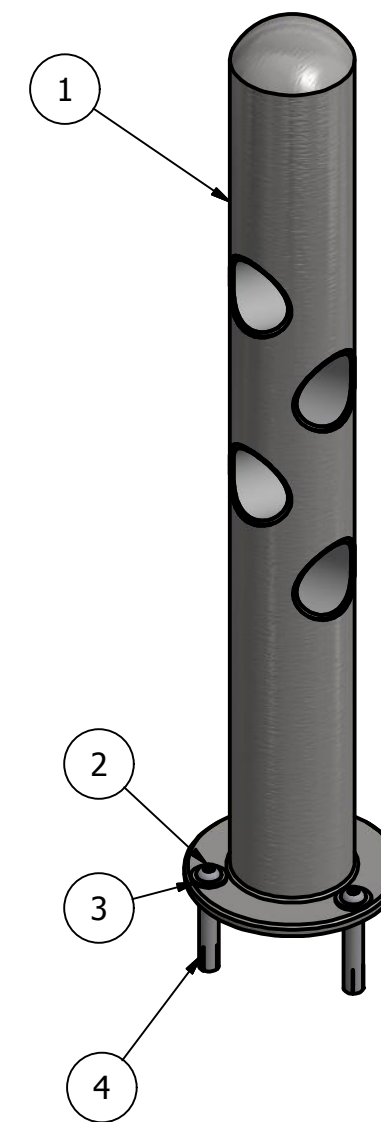
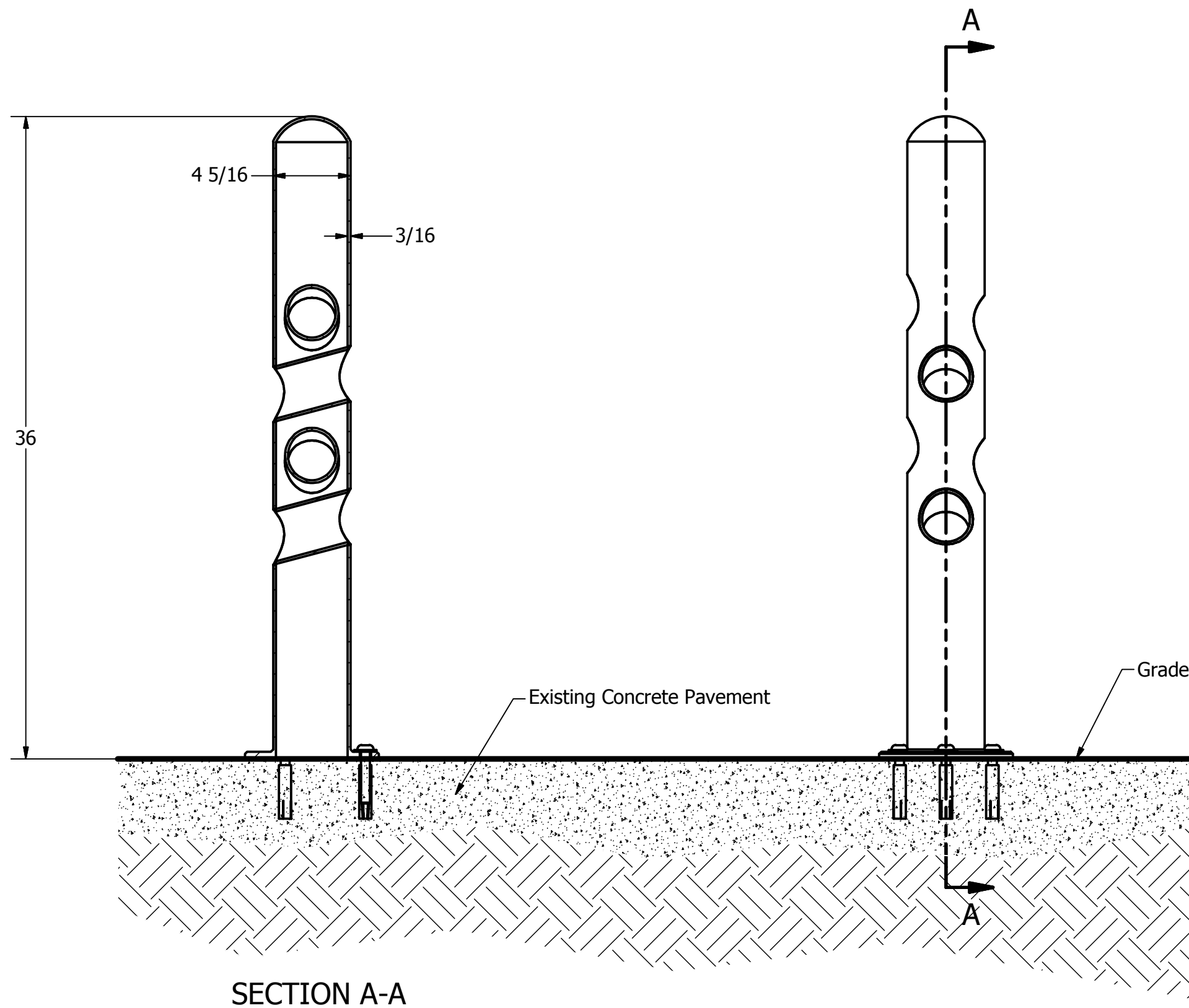
**Bike Bollard, Model R-7972**

SIZE  
**C**

DWG NO  
**R-7972**

REV  
**A**

# Bike Bollard, Model R-7972



## General Description:

The R-7972 Bike Bollard features a slim, eclectic design free of protruding locking arms--suitable for dense urban areas. It balances the standard functionality of a pedestrian bollard, segregating vehicles from unobstructed foot traffic, while offering unique and secure bicycle storage. Cylindrical cavities pass through the vertical shaft to accommodate chains and U-locks to secure up to 2 bikes at a time. Cylindrical holes are angled to prevent collection of dust/debris and are spaced to accommodate bikes of varying sizes. R-7972 Bike Bollards are made from carbon steel and powder coated in 1 of 6 custom colors. Select from a range of mounting options: bolt-down flange, in-ground embed, fold-down and removable mountings.

For more information on bollard post installation, please visit:  
<http://www.reliance-foundry.com/bollard/installation-bollards>

## Specifications:

Height: 36"  
 Base Diameter: 4 5/16"  
 Weight: 32 lbs ( Bollard Post )  
 Material: Steel ( ASTM A36 )

### Finish Options:

- ✓ Polyester Powdercoated
- See Reliance Foundry's standard color options at  
<http://www.reliance-foundry.com/bollard/colors-bollards>

## Mount Options:

- Removable Receiver with Lid (see sheet 2 of 6)
- Removable Receiver with Chain (see sheet 3 of 6)
- Fixed Embedded Mount (see sheet 4 of 6)
- ✓ Flanged Surface Mount (see sheet 5 of 6)
- Fold Down Mount (see sheet 6 of 6)

## Flanged / Surface Mount

### Notes:

- Embedment details are for reference illustration only. Minimum foundation sizes depend on local soil conditions, weather conditions, and engineering requirements.
- Bollard post is provided as shown, with material detailed in legend below. Concrete, foundation and/or installation ordered separately or provided by others.
- This drawing is not drawn to scale. Dimensions provided herein is for reference only. Please consult Reliance Foundry sales professionals if any dimension is critical to your particular installation.
- Reliance Foundry reserves the right to amend design and specifications without prior notice for product improvement.

PARTS LIST					
ITEM	QTY	PART NUMBER	DESCRIPTION	MATERIAL	WEIGHT
1	1	R-7972-F	Bollard Post Flanged	Steel (ASTM A36)	32 lbs
2	3	1/2" Screw	Hexagon Socket Button Head Cap Screw	Stainless Steel	
3	3	1/2" Washer	Plain Washer	Stainless Steel	
4	3	1/2" Anchor	Drop in Concrete Anchor	Steel	

**RELIANCE FOUNDRY**  
 SINCE 1925

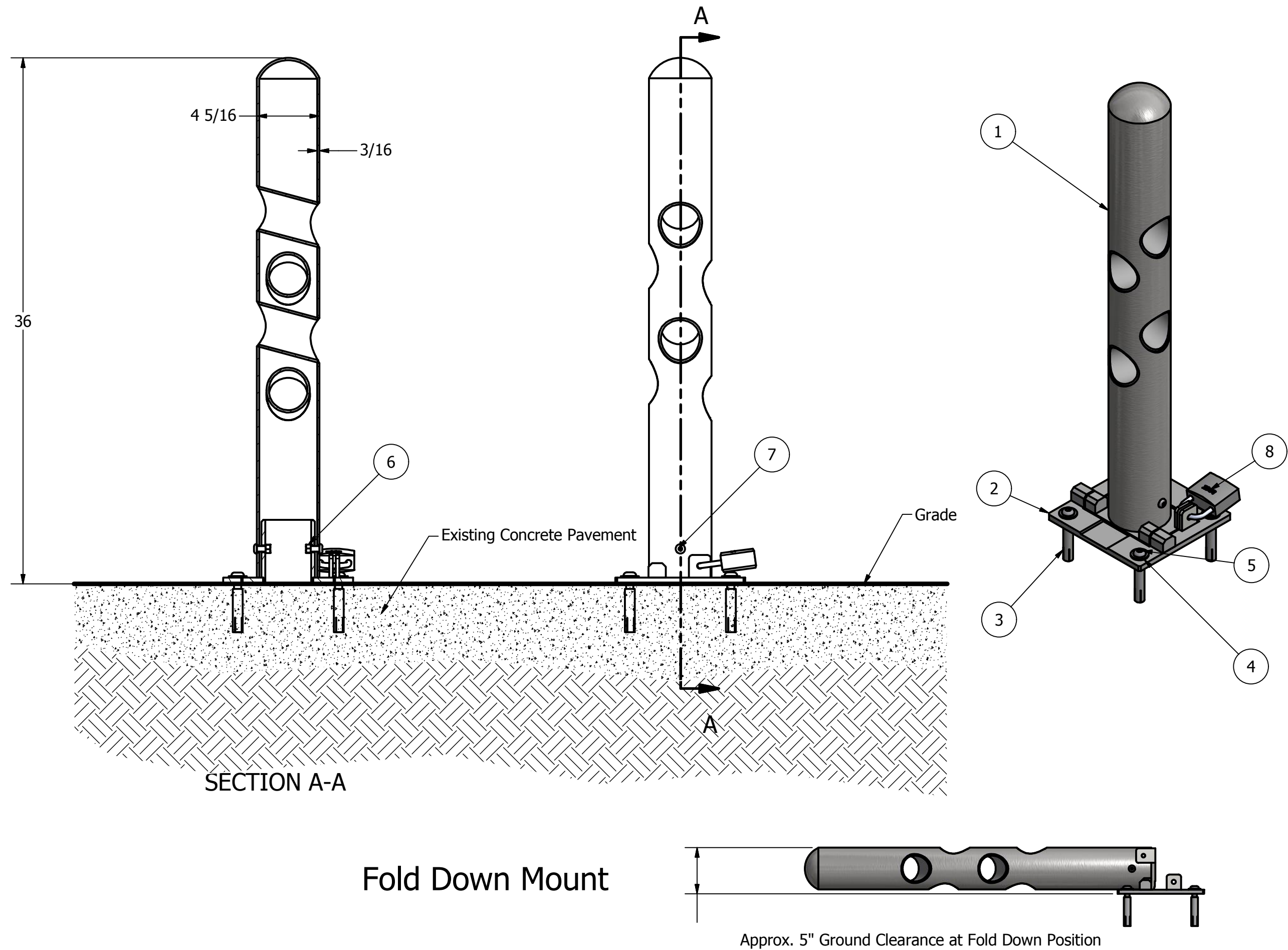
Unit 207, 6450 - 148 Street, Surrey, BC V3S 7G7, Canada  
 1-888-735-5680 info@reliance-foundry.com  
<http://www.reliance-foundry.com>

TITLE  
**Bike Bollard, Model R-7972**

SIZE <b>C</b>	DWG NO <b>R-7972</b>	REV <b>A</b>
------------------	-------------------------	-----------------



# Bike Bollard, Model R-7972



## General Description:

The R-7972 Bike Bollard features a slim, eclectic design free of protruding locking arms--suitable for dense urban areas. It balances the standard functionality of a pedestrian bollard, segregating vehicles from unobstructed foot traffic, while offering unique and secure bicycle storage. Cylindrical cavities pass through the vertical shaft to accommodate chains and U-locks to secure up to 2 bikes at a time. Cylindrical holes are angled to prevent collection of dust/debris and are spaced to accommodate bikes of varying sizes. R-7972 Bike Bollards are made from carbon steel and powder coated in 1 of 6 custom colors. Select from a range of mounting options: bolt-down flange, in-ground embed, fold-down and removable mountings.

For more information on bollard post installation, please visit: <http://www.reliance-foundry.com/bollard/installation-bollards>

## Specifications:

Height: 36"  
 Base Diameter: 4 5/16"  
 Weight: 32 lbs ( Bollard Post )  
 Material: Steel ( ASTM A36 )

## Finish Options:

- ✓ Polyester Powdercoated
- See Reliance Foundry's standard color options at <http://www.reliance-foundry.com/bollard/colors-bollards>

## Mount Options:

- Removable Receiver with Lid (see sheet 2 of 6)
- Removable Receiver with Chain (see sheet 3 of 6)
- Fixed Embedded Mount (see sheet 4 of 6)
- Flanged Surface Mount (see sheet 5 of 6)
- ✓ Fold Down Mount (see sheet 6 of 6)

## Notes:

- Embedment details are for reference illustration only. Minimum foundation sizes depend on local soil conditions, weather conditions, and engineering requirements.
- Bollard post is provided as shown, with material detailed in legend below. Concrete, foundation and/or installation ordered separately or provided by others.
- This drawing is not drawn to scale. Dimensions provided herein is for reference only. Please consult Reliance Foundry sales professionals if any dimension is critical to your particular installation.
- Reliance Foundry reserves the right to amend design and specifications without prior notice for product improvement.

PARTS LIST						
ITEM	QTY	PART NUMBER	DESCRIPTION	MATERIAL	WEIGHT	
1	1	R-7972	Bollard Post	Steel (ASTM A36)	32 lbs	
2	1	R-7950	Fold Down Base	Steel (ASTM A360)	18 lbs	
3	4	1/2" Anchor	Drop in Concrete Anchor	Steel		
4	4	1/2" Washer	Plain Washer	Stainless Steel		
5	4	1/2" Screw	Hexagon Socket Button Head Cap Screw	Stainless Steel		
6	2	3/8" Nut	Hex Nut	Stainless Steel		
7	2	3/8" Screw	Hexagon Socket Button Head Cap Screw	Stainless Steel		
8	1	Padlock ( Optional )	Optional Padlock ( Regular or Marine Grade )	Regular=Brass, Marine=Brass w/ Chrome Plating		

**RELIANCE FOUNDRY**  
 SINCE 1925

Unit 207, 6450 - 148 Street, Surrey, BC V3S 7G7, Canada  
 1-888-735-5680 info@reliance-foundry.com  
<http://www.reliance-foundry.com>

TITLE  
**Bike Bollard, Model R-7972**

SIZE: C DWG NO: R-7972 REV: A