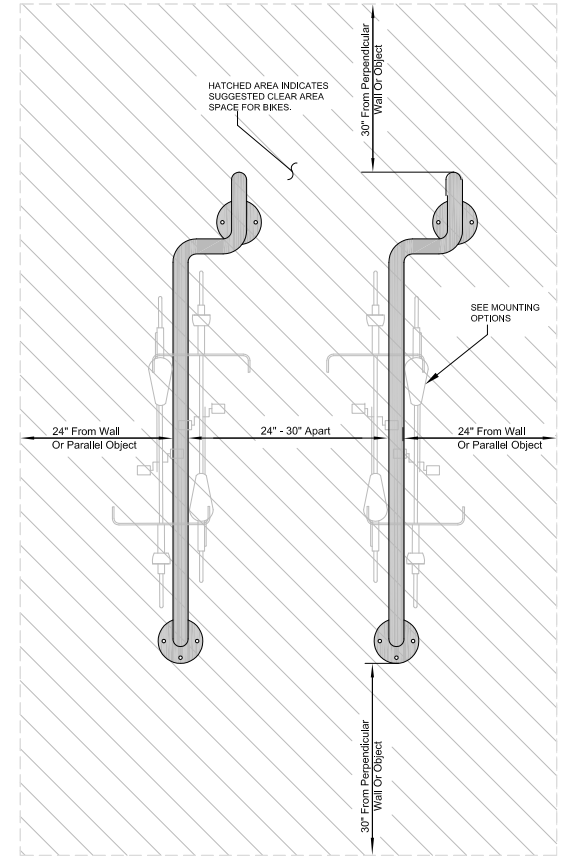
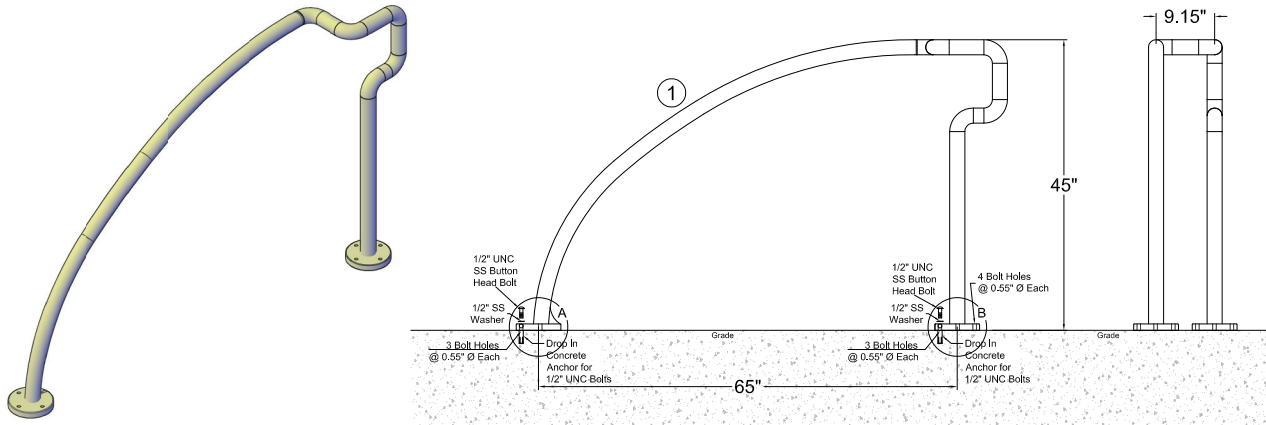
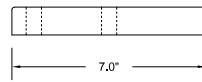
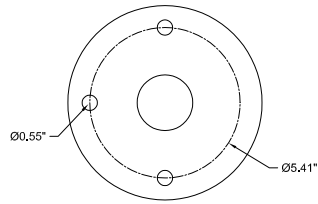
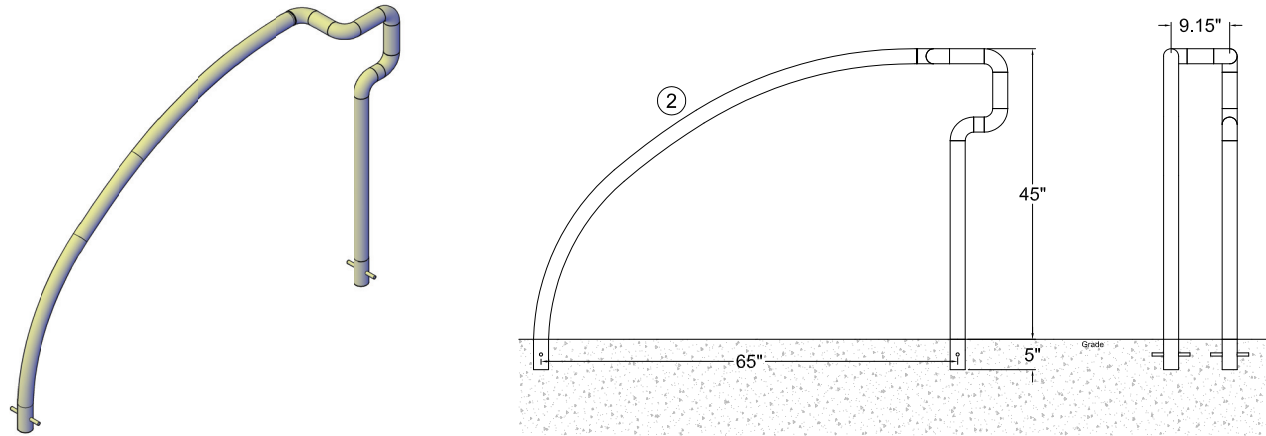


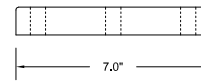
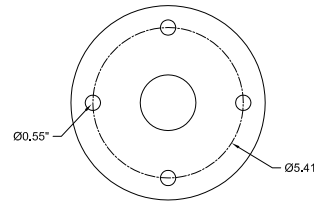
Bike Rack - Flanged/Surface Mount



Bike Rack - Embedded Mount



DETAIL A



DETAIL B

Bike Rack				
Item	Part Number	Description	Material	Weight
1	R-8247 R-8247-SS	Bike Rack - Flanged/Surface Mount	Steel (ASTM A36) Stainless Steel (SAE 316)	57 lbs 57 lbs
2	R-8247-EM R-8247-EM-SS	Bike Rack - Embedded Mount	Steel (ASTM A36) Stainless Steel (SAE 316)	60 lbs 60 lbs

RELIANCE FOUNDRY
CO. LTD.

Unit 207, 6450 - 148 Street, Surrey, BC, Canada V3S-7G7
1-888-735-5680 • info@reliance-foundry.com
www.reliance-foundry.com | www.bollards.ca | www.bike-parking.ca

Bike Rack, Model R-8247

SCALE	NTS	DRAWING NUMBER	SIZE	REV.
DESIGN	LC	R-8247 / R-8247-EM	A	
DATE	12/14/2012			