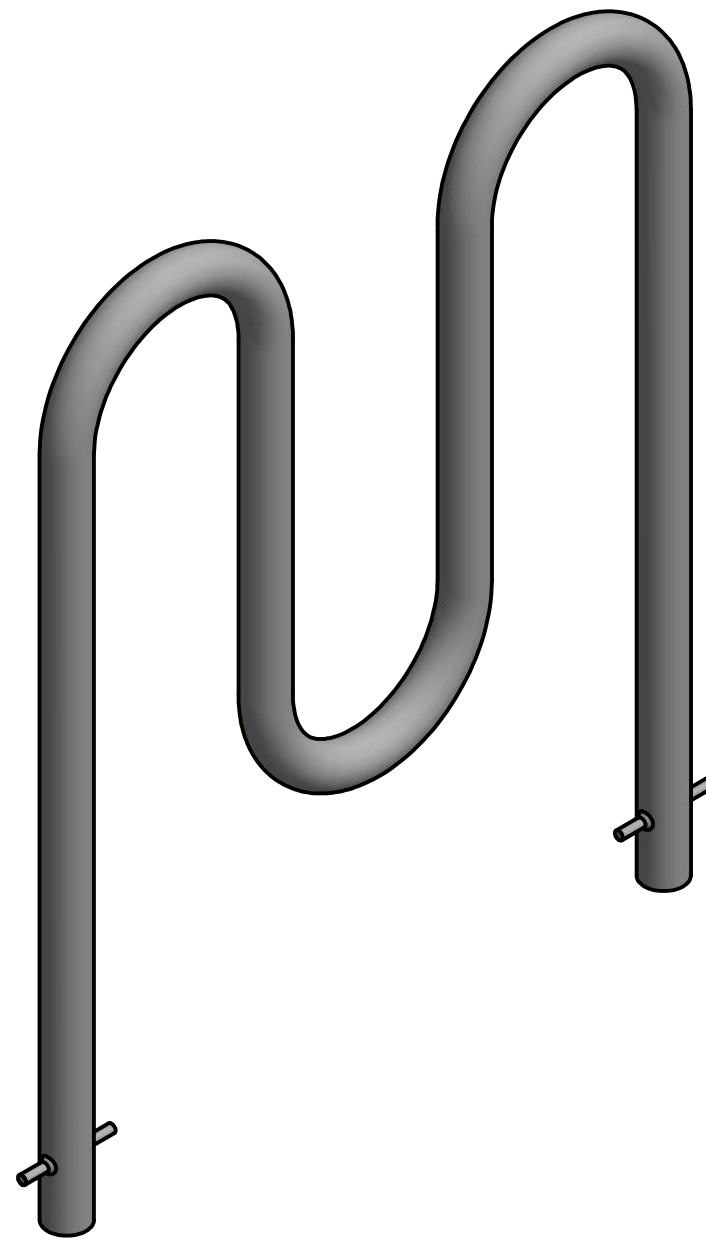
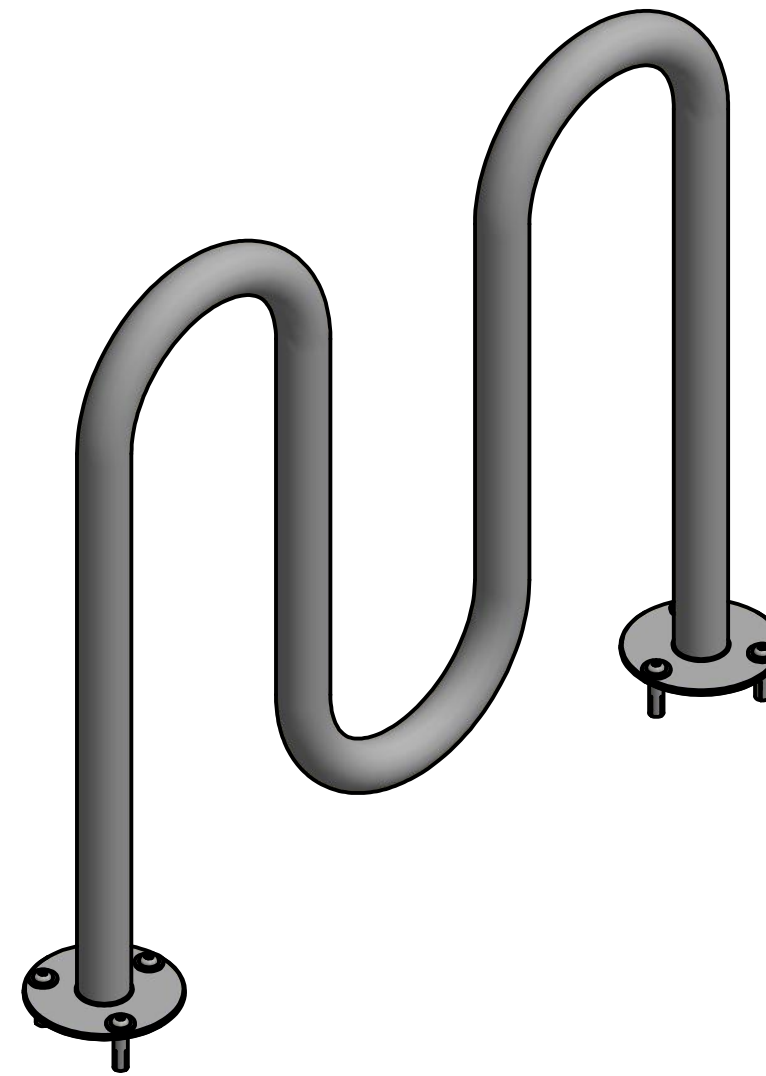


Bike Rack, Model R-8239



Embedded Mounting
(see sheet 2 of 3)



Flanged Mounting
(see sheet 3 of 3)

General Description:

The R-8239 Wave Bike Rack is a high-capacity, corral-style bike stand that accommodates up to 5 bikes at a time. Bikes can be secured using a U-lock or cable between the frame and front or rear wheel. Wave bike racks are made from carbon steel and feature durable powder coatings to prevent corrosion and wear. Select from 1 of 6 custom colors. Two mounting types are available: Bolt-down flanges for existing concrete surfaces or embedded in-ground mountings for new concrete installations.

For more information on bollard post installation, please visit: www.reliance-foundry.com/bollard/installation-bollards

Specifications:

Height: 36"

Cross Span: 39"

Weight: 49 lbs

Material: Steel

Finish Options:

- Polyester Powdercoated

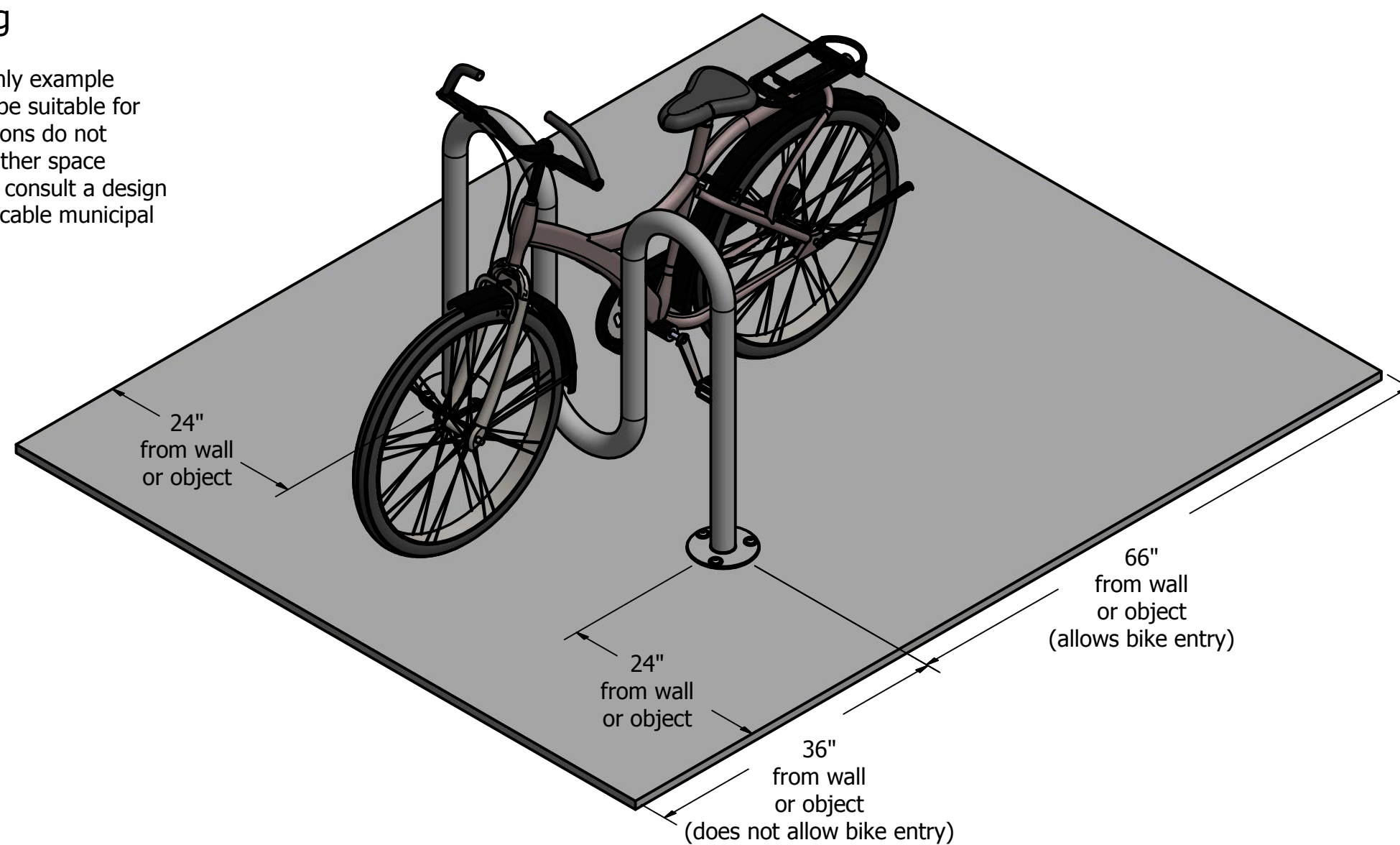
See Reliance Foundry's standard color options at www.reliance-foundry.com/bollard/colors-bollards

Mount Options:

- Embedded Mounting
(see sheet 2 of 3)
- Flanged Mounting
(see sheet 3 of 3)

Bike Rack Spacing

Spacing dimensions are only example suggestions and may not be suitable for specific locations. Dimensions do not account for walkways or other space considerations. Be sure to consult a design professional and any applicable municipal codes before installing.



RELIANCE FOUNDRY
SINCE 1925

Unit 207, 6450 - 148 Street, Surrey, BC V3S 7G7, Canada
1-888-735-5680 info@reliance-foundry.com
www.reliance-foundry.com

TITLE

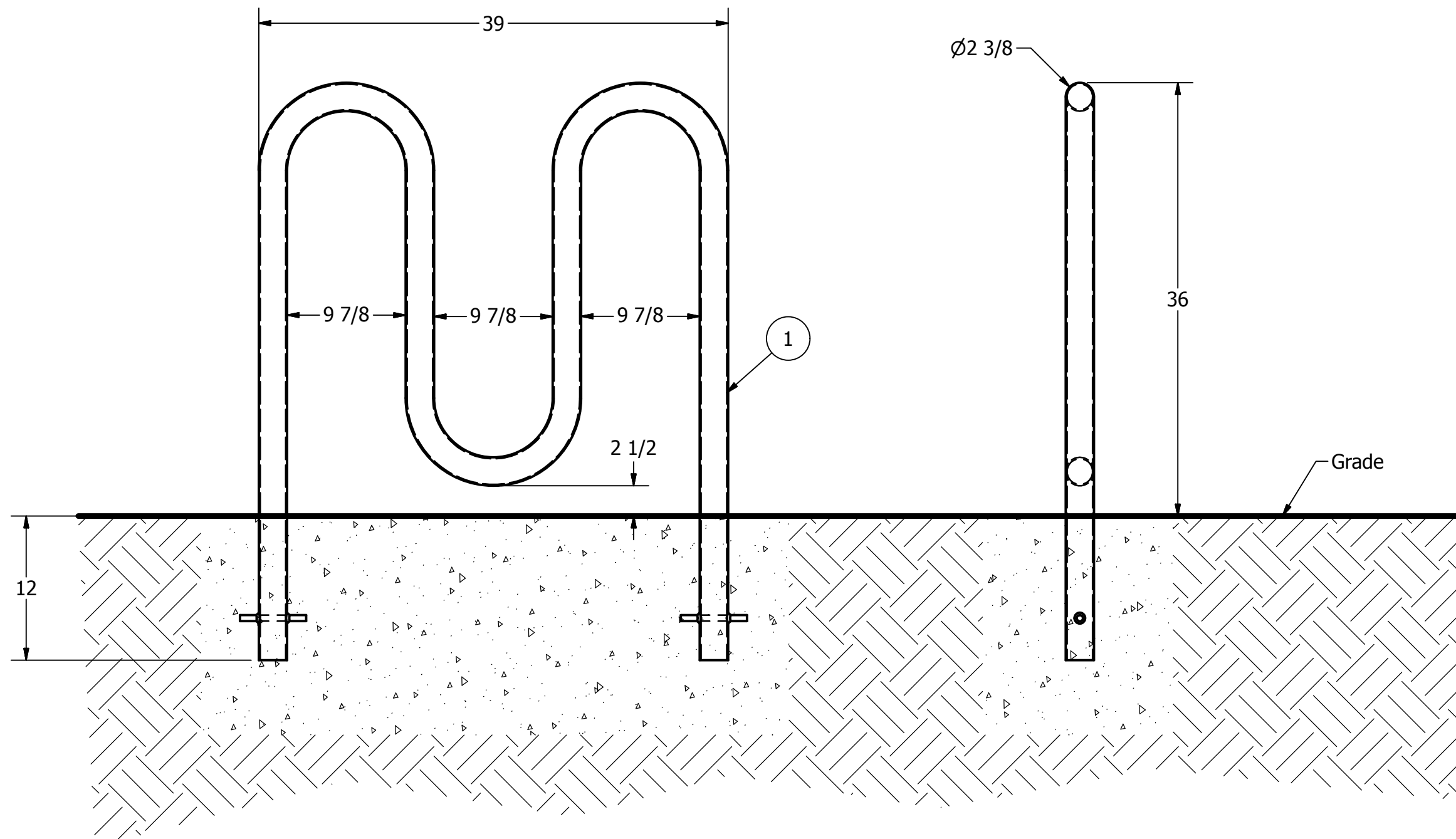
Bike Rack, Model R-8239

SIZE
C

DWG NO
R8239

REV
B2A

Bike Rack, Model R-8239



Embedded Mounting

General Description:

The R-8239 Wave Bike Rack is a high-capacity, corral-style bike stand that accommodates up to 5 bikes at a time. Bikes can be secured using a U-lock or cable between the frame and front or rear wheel. Wave bike racks are made from carbon steel and feature durable powder coatings to prevent corrosion and wear. Select from 1 of 6 custom colors. Two mounting types are available: Bolt-down flanges for existing concrete surfaces or embedded in-ground mountings for new concrete installations.

For more information on bollard post installation, please visit: www.reliance-foundry.com/bollard/installation-bollards

Specifications:

Height: 36"

Cross Span: 39"

Weight: 49 lbs

Material: Steel

Finish Options:

✓ Polyester Powdercoated

See Reliance Foundry's standard color options at www.reliance-foundry.com/bollard/colors-bollards

Mount Options:

- Embedded Mounting (see sheet 2 of 3)
- Flanged Mounting (see sheet 3 of 3)

Notes:

- Embedment details are for reference illustration only. Minimum foundation sizes depend on local soil conditions, weather conditions and engineering requirements.
- Bike rack is provided as shown with parts listed below. Concrete foundation and/or installation not provided by Reliance Foundry.
- This drawing is not drawn to scale. Dimensions provided herein are for reference only. Please consult Reliance Foundry sales professionals if any dimension is critical to your particular installation.
- Reliance Foundry reserves the right to amend design and specifications without prior notice for product improvement.

RELIANCE FOUNDRY
SINCE 1925

Unit 207, 6450 - 148 Street, Surrey, BC V3S 7G7, Canada
1-888-735-5680 info@reliance-foundry.com
www.reliance-foundry.com

TITLE

Bike Rack, Model R-8239

PARTS LIST					
ITEM	QTY	PART NUMBER	DESCRIPTION	MATERIAL	WEIGHT
1	1	R8239E	Bike Rack R8239E	Steel	49 lbs

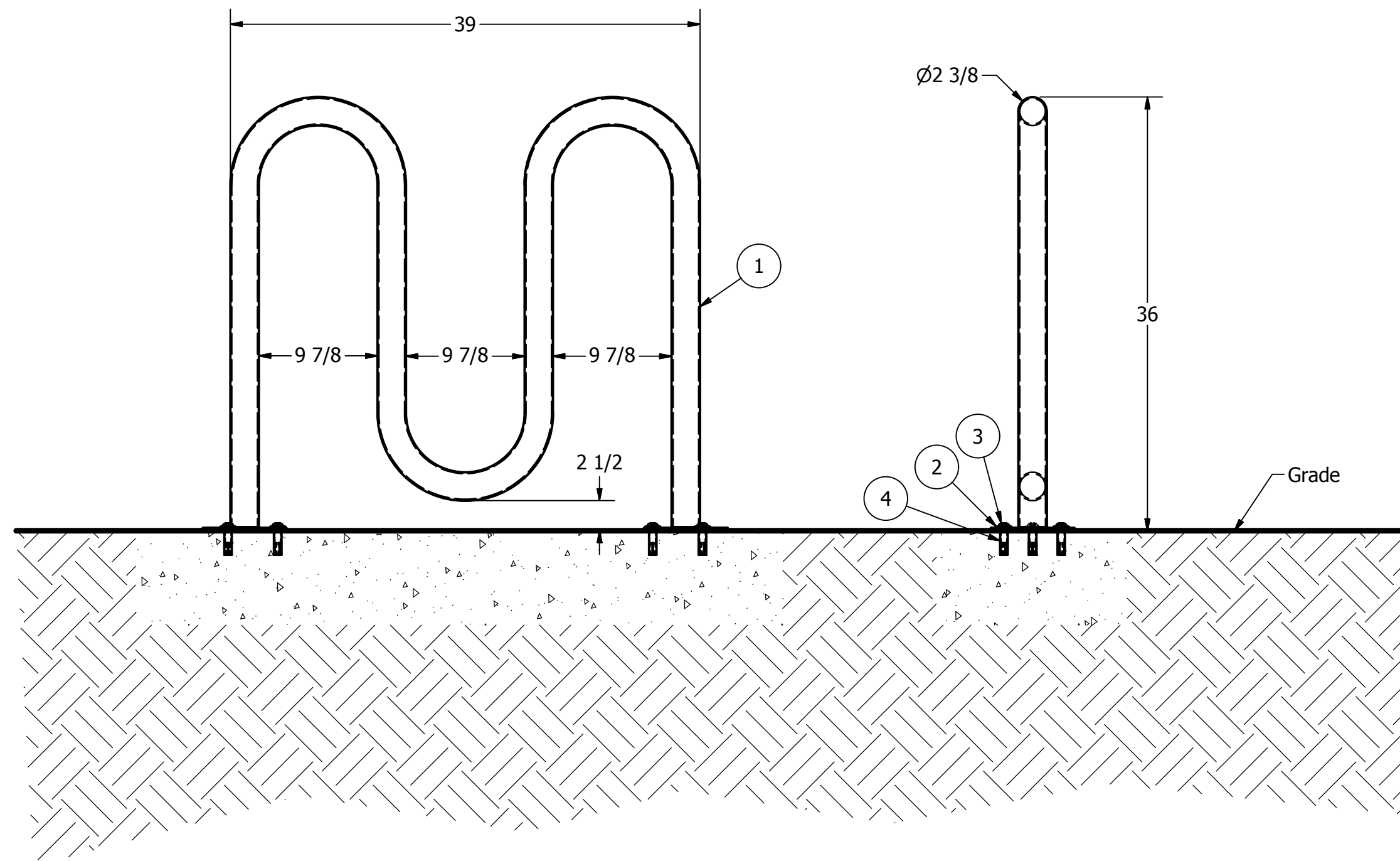
SIZE	DWG NO	REV
C	R8239	B2A

Bike Rack, Model R-8239

Drop-in Anchor Installation:

- 1) Use a carbide tip drill bit (conforming to ANSI B 212.15) to drill 1/2" x 1 1/2" hole (dia. x depth)
- 2) Clean drill hole of debris
- 3) Insert anchor into drill hole
- 4) Use hammer and proper setting tool* (for 3/8" Drop-In Anchor from UCAN) to drive plug down
- 5) Fasten button head screw (Maximum torque 10 ft x lbf)

* Substitute a narrow punch tool at installer's risk



Flanged Mounting

Notes:

- Embedment details are for reference illustration only. Minimum foundation sizes depend on local soil conditions, weather conditions and engineering requirements.
- Bike rack is provided as shown with parts listed below. Concrete foundation and/or installation not provided by Reliance Foundry.
- This drawing is not drawn to scale. Dimensions provided herein are for reference only. Please consult Reliance Foundry sales professionals if any dimension is critical to your particular installation.
- Reliance Foundry reserves the right to amend design and specifications without prior notice for product improvement.

General Description:

The R-8239 Wave Bike Rack is a high-capacity, corral-style bike stand that accommodates up to 5 bikes at a time. Bikes can be secured using a U-lock or cable between the frame and front or rear wheel. Wave bike racks are made from carbon steel and feature durable powder coatings to prevent corrosion and wear. Select from 1 of 6 custom colors. Two mounting types are available: Bolt-down flanges for existing concrete surfaces or embedded in-ground mountings for new concrete installations.

For more information on bollard post installation, please visit: www.reliance-foundry.com/bollard/installation-bollards

Specifications:

Height: 36"

Cross Span: 39"

Weight: 49 lbs

Material: Steel

Finish Options:

- ✓ Polyester Powdercoated

See Reliance Foundry's standard color options at www.reliance-foundry.com/bollard/colors-bollards

Mount Options:

- Embedded Mounting (see sheet 2 of 3)
- Flanged Mounting (see sheet 3 of 3)

RELIANCE FOUNDRY
SINCE 1925

Unit 207, 6450 - 148 Street, Surrey, BC V3S 7G7, Canada
1-888-735-5680 info@reliance-foundry.com
www.reliance-foundry.com

TITLE

Bike Rack, Model R-8239

SIZE
C

DWG NO
R8239

REV
B2A

PARTS LIST					
ITEM	QTY	PART NUMBER	DESCRIPTION	MATERIAL	WEIGHT
1	1	R8239F	Bike Rack R8239F	Steel	49 lbs
2	8	Plain Washer 3/8" Regular	Plain Washer 3/8" Regular	Stainless Steel	
3	8	Button Head Screw 3/8" x 1 1/4"	Hexagon Socket Button Head Cap Screw 3/8" x 1 1/4"	Stainless Steel	
4	8	Drop-in Concrete Anchor 3/8"	Drop-in Concrete Anchor 3/8" - requires 1/2" x 1 1/2" hole (dia. x depth)	Steel	

COPYRIGHT RESERVED THIS PLAN DRAWING AND DESIGN ARE, AND AT ALL TIMES REMAIN, THE EXCLUSIVE PROPERTY OF RELIANCE FOUNDRY CO. LTD.

NOT TO SCALE

SHEET 3 OF 3