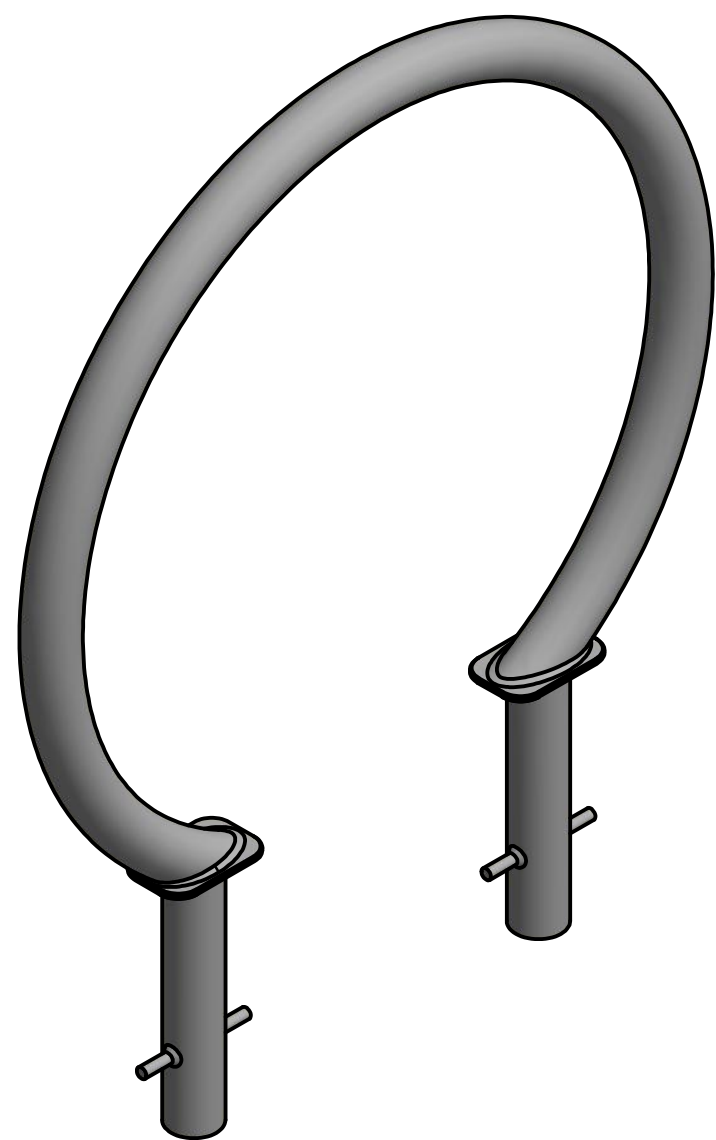
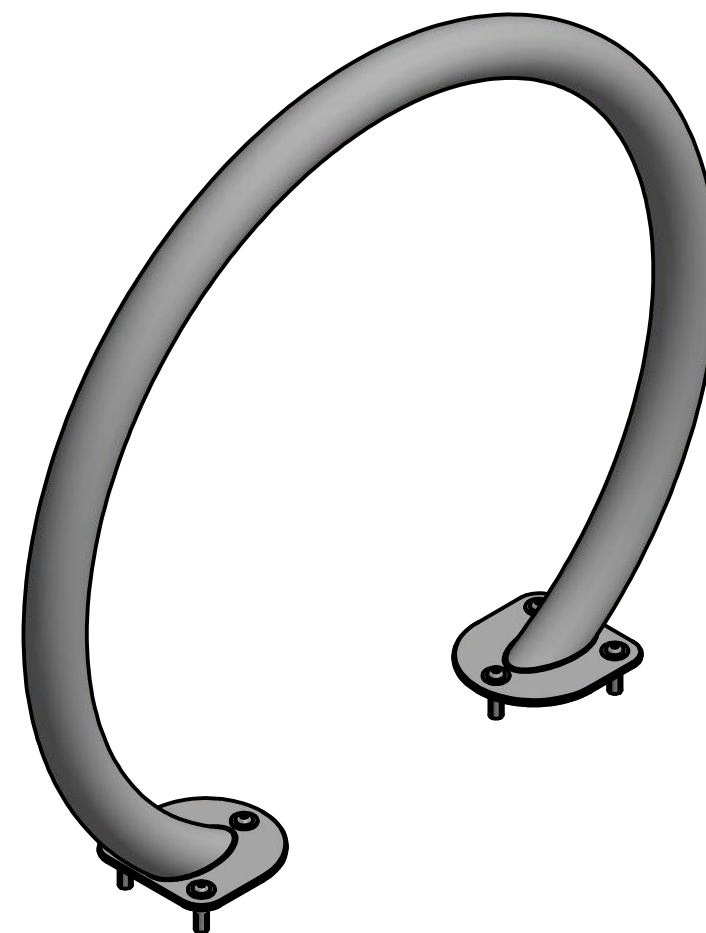


Bike Rack, Model R-8224-SS



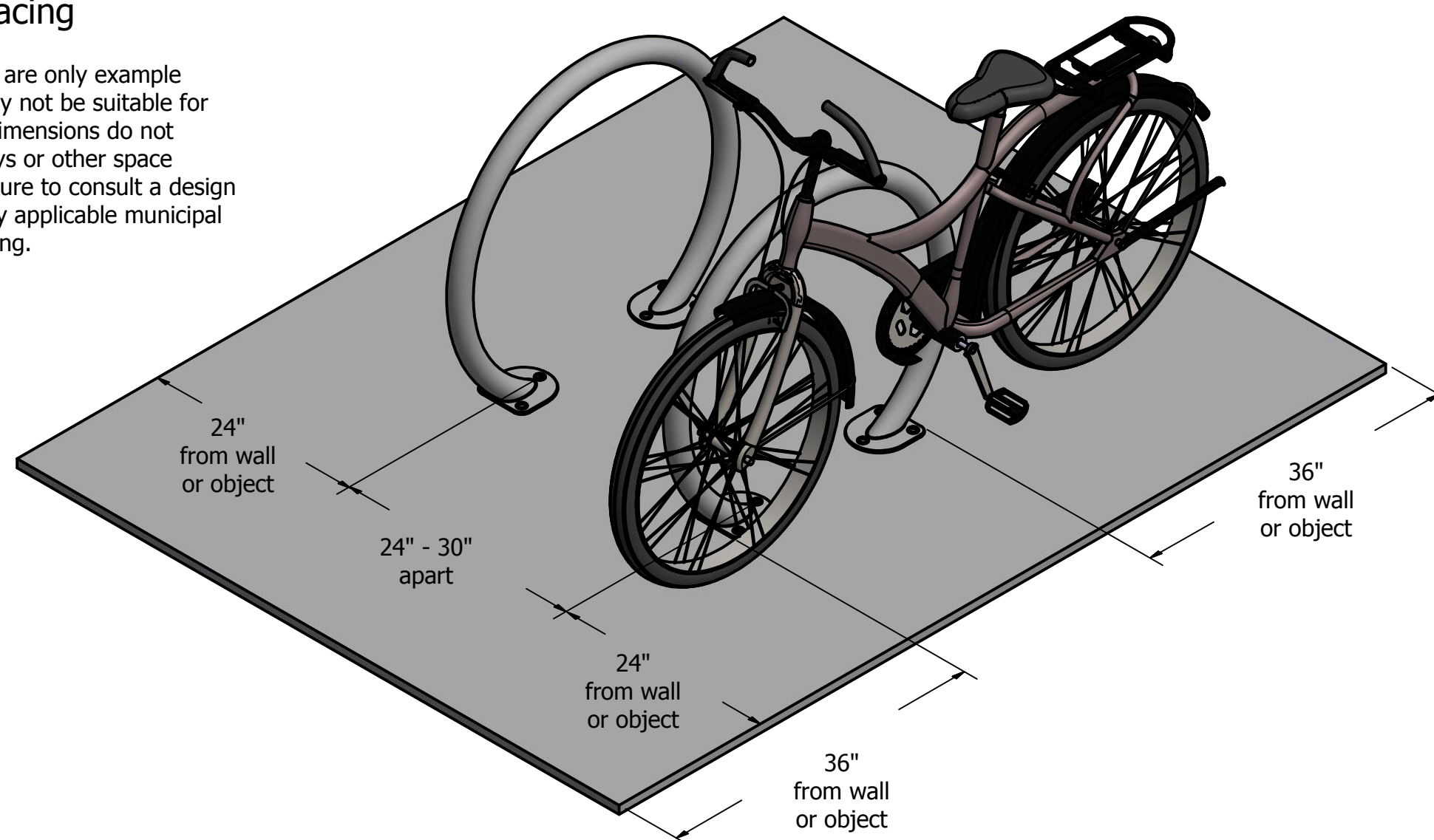
Embedded Mounting
(see sheet 2 of 3)



Flanged Mounting
(see sheet 3 of 3)

Bike Rack Spacing

Spacing dimensions are only example suggestions and may not be suitable for specific locations. Dimensions do not account for walkways or other space considerations. Be sure to consult a design professional and any applicable municipal codes before installing.



General Description:

The R-8224-SS Stainless Steel Circular Bike Rack offers a narrow design, making it suitable for sidewalks and other pedestrian areas. The round, ring-shape offers 2-point contact with bike frames to avoid tipping-and is long enough to accommodate a U-lock or cable around each tire and the frame. Install circular bike racks in series for custom, high-capacity bike corrals. Stainless steel bike racks are made from 316-grade stainless steel for premium aesthetics and high resistance to corrosion and wear. Choose from 2 mounting types: Bolt-down flanges for existing concrete surfaces or embedded in-ground mountings for new concrete installations.

For more information on bollard post installation, please visit: www.reliance-foundry.com/bollard/installation-bollards

Specifications:

Height: 31 1/2"

Cross Span: 35 1/2"

Weight: 33 lbs

Material: Stainless Steel AISI 316

Finish Options:

- Polished with a satin surface finish
 - Available polyester powdercoated option
- See Reliance Foundry's standard color options at www.reliance-foundry.com/bollard/colors-bollards

Mount Options:

- Embedded Mounting (see sheet 2 of 3)
- Flanged Mounting (see sheet 3 of 3)

RELIANCE FOUNDRY
SINCE 1925

Unit 207, 6450 - 148 Street, Surrey, BC V3S 7G7, Canada
1-888-735-5680 info@reliance-foundry.com
www.reliance-foundry.com

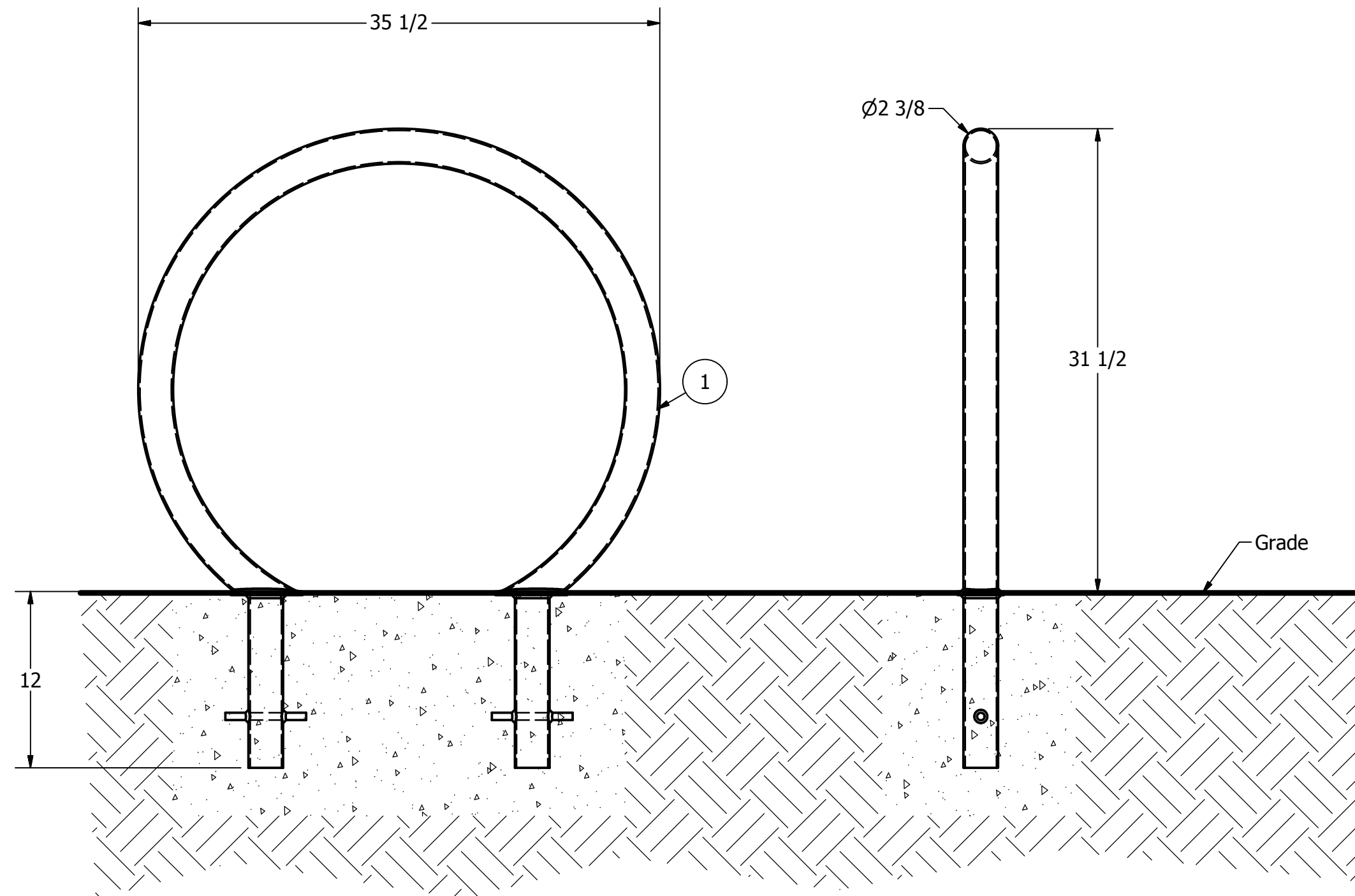
TITLE

Bike Rack, Model R-8224-SS

SIZE	DWG NO	REV
C	R8224SS	B2A

NOT TO SCALE SHEET 1 OF 3

Bike Rack, Model R-8224-SS



Embedded Mounting

Notes:

- Embedment details are for reference illustration only. Minimum foundation sizes depend on local soil conditions, weather conditions and engineering requirements.
- Bike rack is provided as shown with parts listed below. Concrete foundation and/or installation not provided by Reliance Foundry.
- This drawing is not drawn to scale. Dimensions provided herein are for reference only. Please consult Reliance Foundry sales professionals if any dimension is critical to your particular installation.
- Reliance Foundry reserves the right to amend design and specifications without prior notice for product improvement.

General Description:

The R-8224-SS Stainless Steel Circular Bike Rack offers a narrow design, making it suitable for sidewalks and other pedestrian areas. The round, ring-shape offers 2-point contact with bike frames to avoid tipping-and is long enough to accommodate a U-lock or cable around each tire and the frame. Install circular bike racks in series for custom, high-capacity bike corrals. Stainless steel bike racks are made from 316-grade stainless steel for premium aesthetics and high resistance to corrosion and wear. Choose from 2 mounting types: Bolt-down flanges for existing concrete surfaces or embedded in-ground mountings for new concrete installations.

For more information on bollard post installation, please visit: www.reliance-foundry.com/bollard/installation-bollards

Specifications:

Height: 31 1/2"

Cross Span: 35 1/2"

Weight: 33 lbs

Material: Stainless Steel AISI 316

Finish Options:

- Polished with a satin surface finish
 - Available polyester powdercoated option
- See Reliance Foundry's standard color options at www.reliance-foundry.com/bollard/colors-bollards

Mount Options:

- Embedded Mounting (see sheet 2 of 3)
- Flanged Mounting (see sheet 3 of 3)

RELIANCE FOUNDRY
SINCE 1925

Unit 207, 6450 - 148 Street, Surrey, BC V3S 7G7, Canada
1-888-735-5680 info@reliance-foundry.com
www.reliance-foundry.com

TITLE

Bike Rack, Model R-8224-SS

PARTS LIST					
ITEM	QTY	PART NUMBER	DESCRIPTION	MATERIAL	WEIGHT
1	1	R8224ESS	Bike Rack R8224ESS	Stainless Steel 316	33 lbs

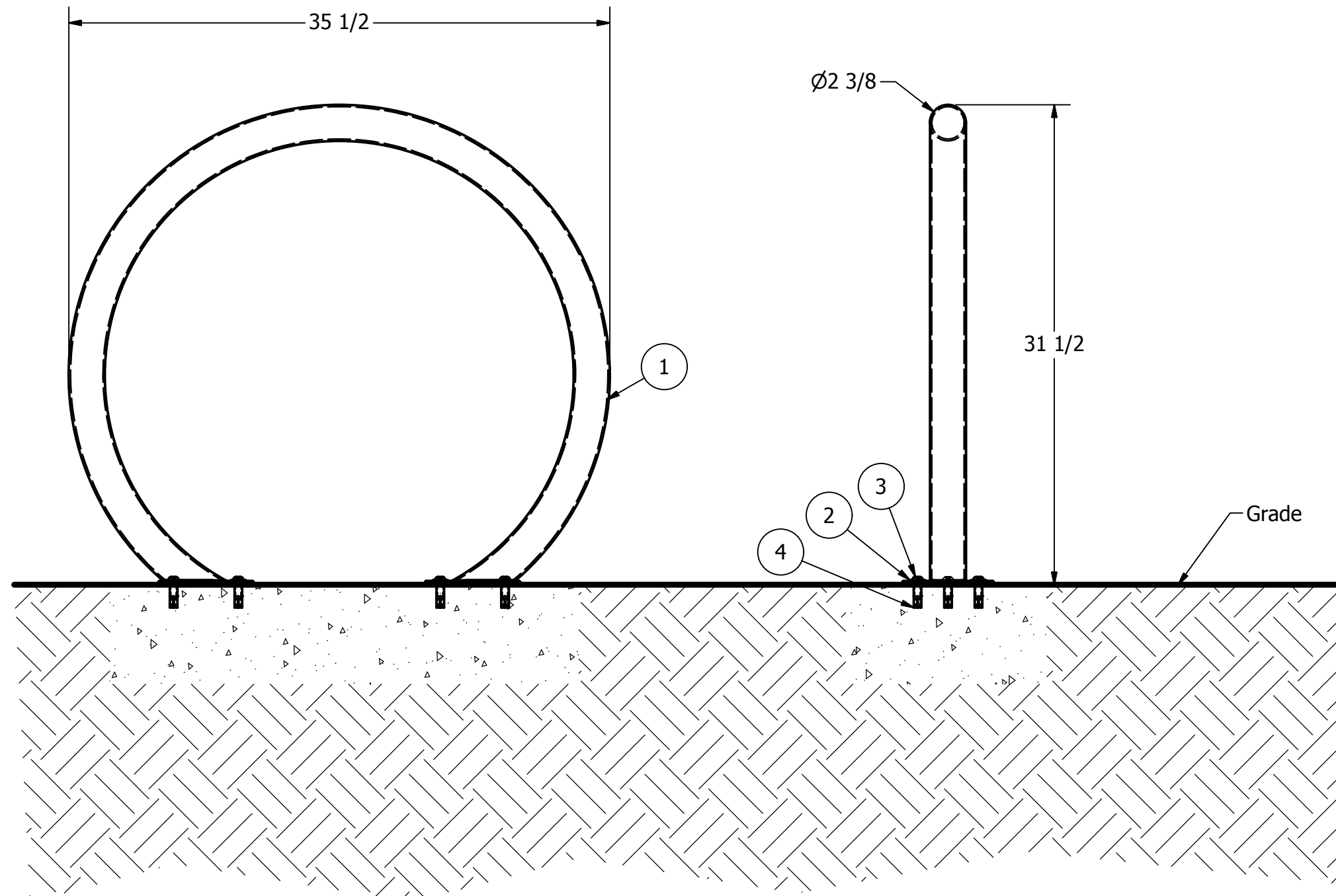
SIZE	DWG NO	REV
C	R8224SS	B2A

Bike Rack, Model R-8224-SS

Drop-in Anchor Installation:

- 1) Use a carbide tip drill bit (conforming to ANSI B 212.15) to drill 1/2" x 1 1/2" hole (dia. x depth)
- 2) Clean drill hole of debris
- 3) Insert anchor into drill hole
- 4) Use hammer and proper setting tool* (for 3/8" Drop-In Anchor from UCAN) to drive plug down
- 5) Fasten button head screw (Maximum torque 10 ft x lbf)

* Substitute a narrow punch tool at installer's risk



Flanged Mounting

Notes:

- Embedment details are for reference illustration only. Minimum foundation sizes depend on local soil conditions, weather conditions and engineering requirements.
- Bike rack is provided as shown with parts listed below. Concrete foundation and/or installation not provided by Reliance Foundry.
- This drawing is not drawn to scale. Dimensions provided herein are for reference only. Please consult Reliance Foundry sales professionals if any dimension is critical to your particular installation.
- Reliance Foundry reserves the right to amend design and specifications without prior notice for product improvement.

General Description:

The R-8224-SS Stainless Steel Circular Bike Rack offers a narrow design, making it suitable for sidewalks and other pedestrian areas. The round, ring-shape offers 2-point contact with bike frames to avoid tipping-and is long enough to accommodate a U-lock or cable around each tire and the frame. Install circular bike racks in series for custom, high-capacity bike corrals. Stainless steel bike racks are made from 316-grade stainless steel for premium aesthetics and high resistance to corrosion and wear. Choose from 2 mounting types: Bolt-down flanges for existing concrete surfaces or embedded in-ground mountings for new concrete installations.

For more information on bollard post installation, please visit: www.reliance-foundry.com/bollard/installation-bollards

Specifications:

Height: 31 1/2"

Cross Span: 35 1/2"

Weight: 33 lbs

Material: Stainless Steel AISI 316

Finish Options:

- Polished with a satin surface finish
 - Available polyester powdercoated option
- See Reliance Foundry's standard color options at www.reliance-foundry.com/bollard/colors-bollards

Mount Options:

- Embedded Mounting (see sheet 2 of 3)
- Flanged Mounting (see sheet 3 of 3)

RELIANCE FOUNDRY
SINCE 1925

Unit 207, 6450 - 148 Street, Surrey, BC V3S 7G7, Canada
1-888-735-5680 info@reliance-foundry.com
www.reliance-foundry.com

TITLE

Bike Rack, Model R-8224-SS

SIZE
C

DWG NO
R8224SS

REV
B2A

COPYRIGHT RESERVED THIS PLAN DRAWING AND DESIGN ARE, AND AT ALL TIMES REMAIN, THE EXCLUSIVE PROPERTY OF RELIANCE FOUNDRY CO. LTD.

NOT TO SCALE

SHEET 3 OF 3

PARTS LIST					
ITEM	QTY	PART NUMBER	DESCRIPTION	MATERIAL	WEIGHT
1	1	R8224FSS	Bike Rack R8224FSS	Stainless Steel 316	33 lbs
2	4	Plain Washer 3/8" Regular	Plain Washer 3/8" Regular	Stainless Steel	
3	4	Button Head Screw 3/8" x 1 1/4"	Hexagon Socket Button Head Cap Screw 3/8" x 1 1/4"	Stainless Steel	
4	4	Drop-in Concrete Anchor 3/8"	Drop-in Concrete Anchor 3/8" - requires 1/2" x 1 1/2" hole (dia. x depth)	Steel	