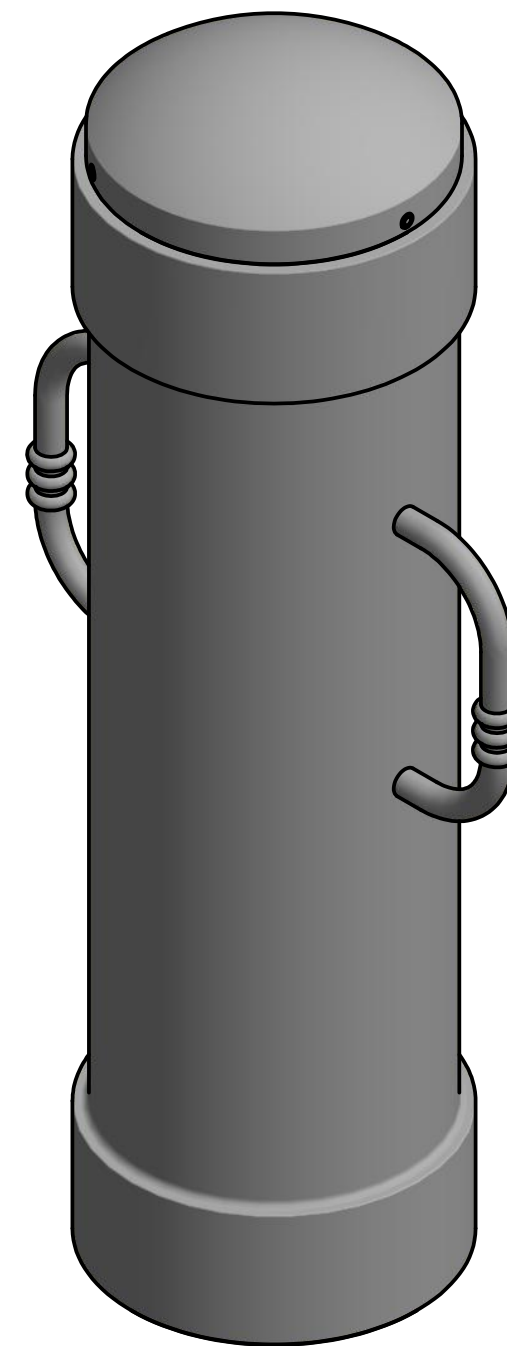
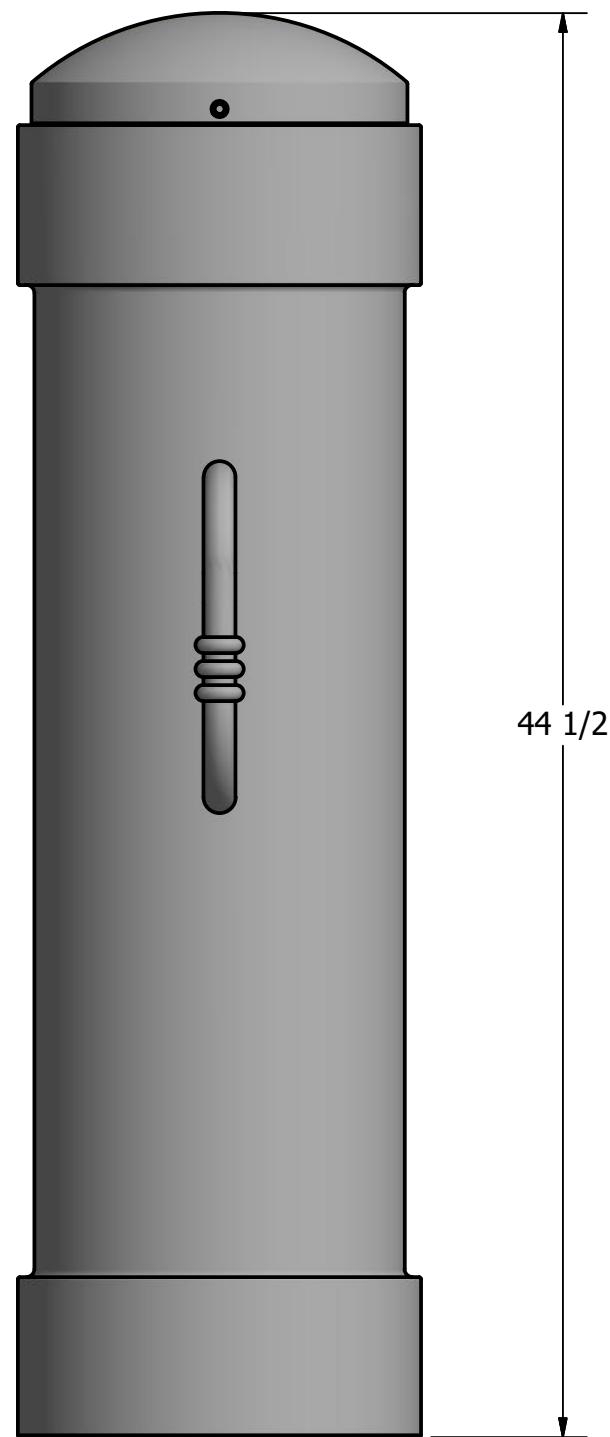
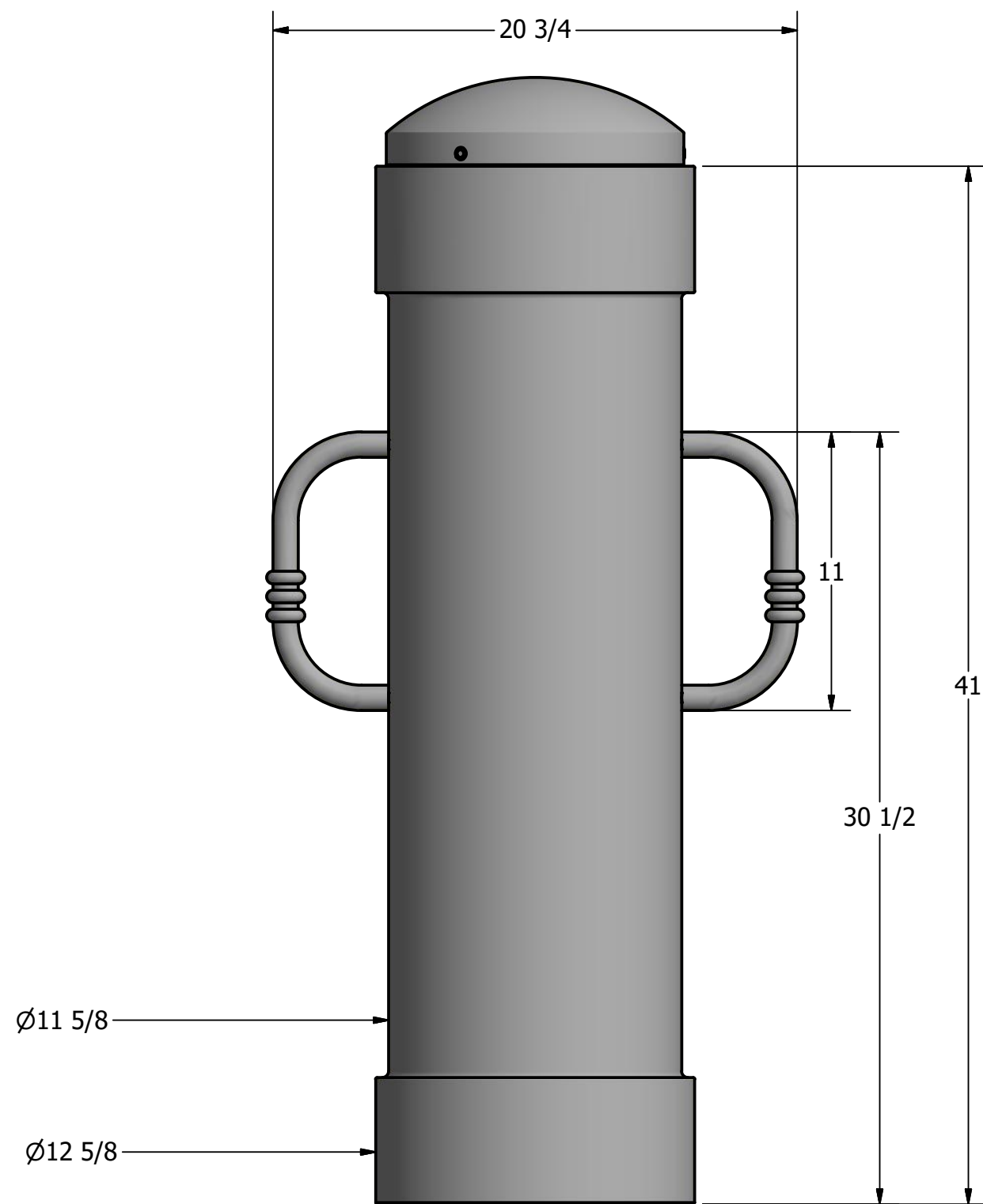


Bollard R-7744-B



General Description:

The R-7744-B Bike Bollard offers premium decorative aesthetics with added functionality. Bike-locking arms are bolted internally to ensure secure storage for cyclists. Locking arms can also be used to assist in removal and transport for removable applications. R-7744-B Bike bollards feature a decorative steel assembly, powder coated in 1 of 6 custom colors for exceptional durability and corrosion resistance. Reinforce bollards with embedded steel pipes or select from a range of mounting options: surface or embedded anchors.

Specifications:

Height: 44 1/2"
 Base Diameter: 12 5/8"
 Weight: 163 lbs (Bollard Only)
 Material: Steel Body, Ductile Iron Cap
 Stainless Steel Bike Arms
 Max. Interior Security Post Size:
 9 3/4" x 40" (Diameter x Height)

Finish Options:

⊙ Polyester Powdercoated

See Reliance Foundry's standard color options at:
www.reliance-foundry.com/bollard/colors-bollards

Installation Options:

- Fixed - Anchor Casting in New Concrete (see sheet 2 of 6)
- Fixed - Concrete Insert Anchor in Existing Concrete (see sheet 3 of 6)
- Fixed - Adhesive Anchor in Existing Concrete (see sheet 4 of 6)
- Post Cover - New Post in New Concrete (see sheet 5 of 6)
- Post Cover - Existing Post with Adhesive Anchor (see sheet 6 of 6)

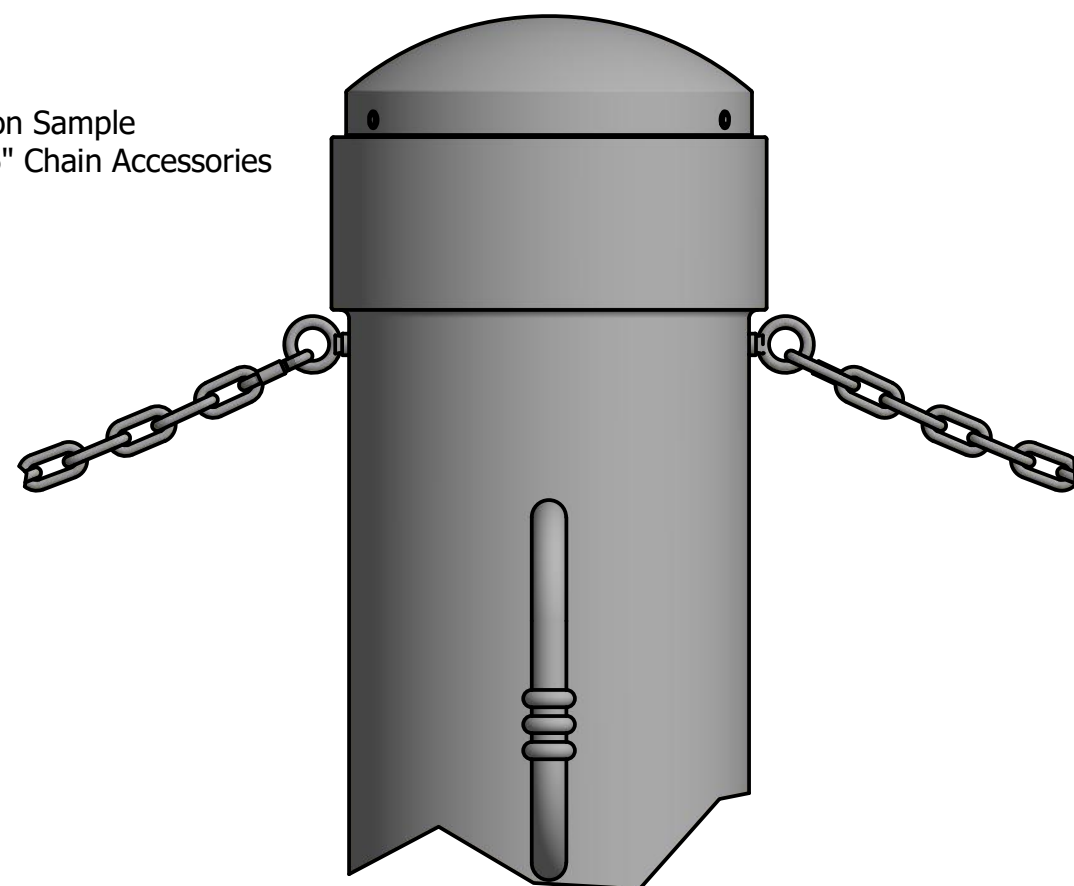
For more information on bollard post installation, please visit:
www.reliance-foundry.com/bollard/installation-bollards

Care and Maintenance:

Reliance's line of bollards are finished with a long-lasting powder-coating. Proper care and maintenance are required. Regularly-performed inspections and routine cleaning will ensure that a bollard retains its aesthetic appeal and does not become damaged by the elements.

See Reliance Foundry's maintenance guide at:
www.reliance-foundry.com/bollard/maintenance-bollards

Installation Sample with 5/16" Chain Accessories



Bollard Chain Eye 3/8"
(Powder Coated)



Quick Link Connector 5/16"
(Powder Coated)



Bollard Chain 5/16"
(Powder Coated)

Optional Accessories:

- Chain Eye
- Quick link
- Chain (5/16")

See Reliance Foundry's optional accessories at:
www.reliance-foundry.com/bollard/accessories-bollards

RELIANCE FOUNDRY
 SINCE 1925

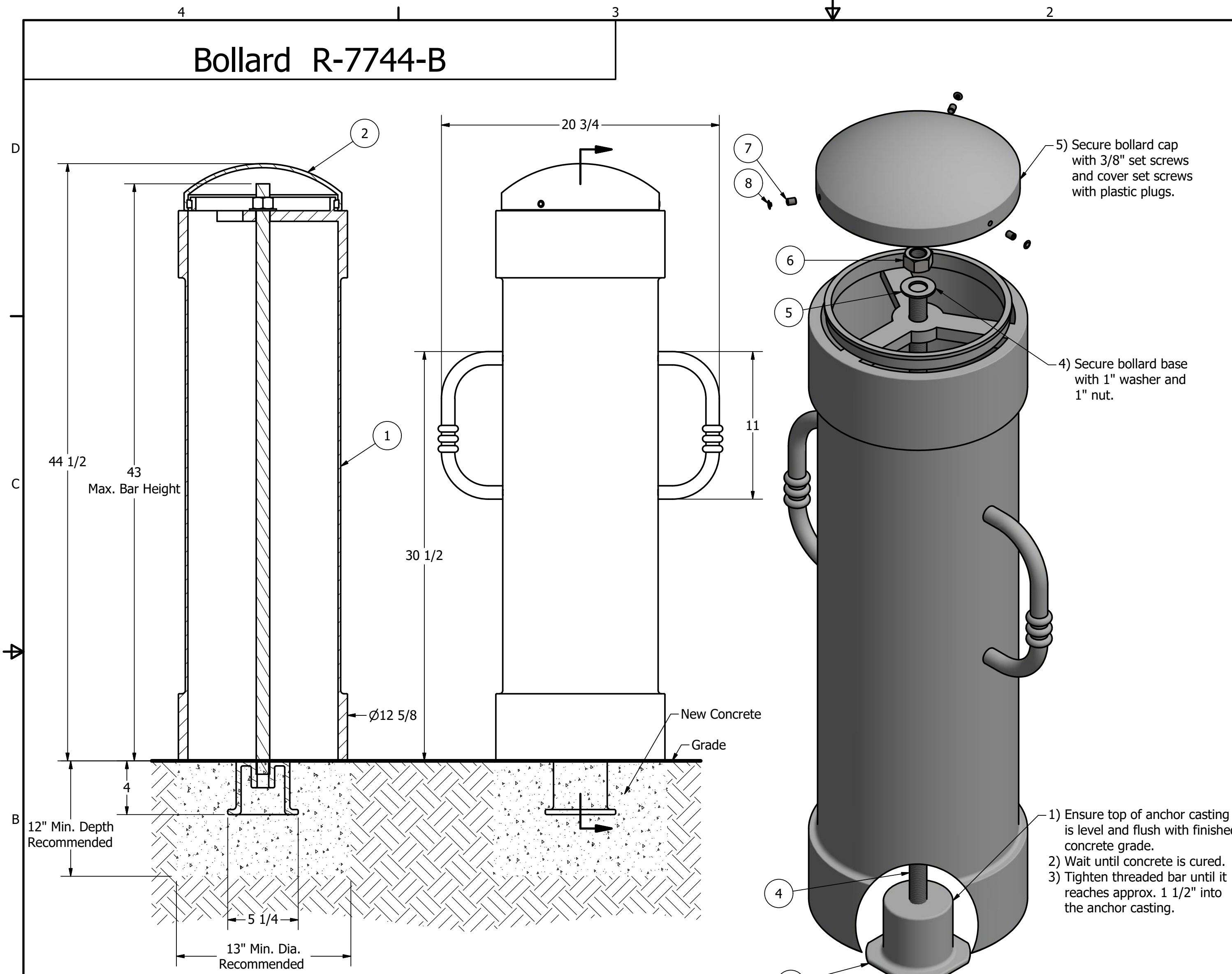
Unit 207, 6450 - 148 Street, Surrey, BC V3S 7G7, Canada
 1-888-735-5680 info@reliance-foundry.com
www.reliance-foundry.com

TITLE

Bollard R-7744-B

SIZE	DWG NO	REV
C	R7744B	C1

Bollard R-7744-B



General Description:

The R-7744-B Bike Bollard offers premium decorative aesthetics with added functionality. Bike-locking arms are bolted internally to ensure secure storage for cyclists. Locking arms can also be used to assist in removal and transport for removable applications. R-7744-B Bike bollards feature a decorative steel assembly, powder coated in 1 of 6 custom colors for exceptional durability and corrosion resistance. Reinforce bollards with embedded steel pipes or select from a range of mounting options: surface or embedded anchors.

Specifications:

Height: 44 1/2"
 Base Diameter: 12 5/8"
 Weight: 163 lbs (Bollard Only)
 Material: Steel Body, Ductile Iron Cap
 Stainless Steel Bike Arms
 Max. Interior Security Post Size:
 9 3/4" x 40" (Diameter x Height)

Finish Options:

○ Polyester Powdercoated

See Reliance Foundry's standard color options at:
www.reliance-foundry.com/bollard/colors-bollards

Installation Options:

- Fixed - Anchor Casting in New Concrete (see sheet 2 of 6)
- Fixed - Concrete Insert Anchor in Existing Concrete (see sheet 3 of 6)
- Fixed - Adhesive Anchor in Existing Concrete (see sheet 4 of 6)
- Post Cover - New Post in New Concrete (see sheet 5 of 6)
- Post Cover - Existing Post with Adhesive Anchor (see sheet 6 of 6)

For more information on bollard post installation, please visit:
www.reliance-foundry.com/bollard/installation-bollards

Care and Maintenance:

Reliance's line of bollards are finished with a long-lasting powder-coating. Proper care and maintenance are required. Regularly-performed inspections and routine cleaning will ensure that a bollard retains its aesthetic appeal and does not become damaged by the elements.

See Reliance Foundry's maintenance guide at:
www.reliance-foundry.com/bollard/maintenance-bollards

- Notes:
- 1) Bollard post is provided as shown. Concrete, foundation and/or installation ordered separately or provided by others.
 - 2) Minimum foundation sizes depend on local soil conditions, weather conditions, and engineering requirements.
 - 3) Dimensions provided herein is for reference only. Please consult Reliance Foundry sales professionals if any dimension is critical to your particular installation.
 - 4) Reliance Foundry reserves the right to amend design and specifications without prior notice for product improvement.

- Tools needed:
- 1) Measuring tape
 - 2) 1 1/2" wrench
 - 3) 3/16" hex key

PARTS LIST

ITEM	QTY	PART NUMBER	DESCRIPTION	MATERIAL	WEIGHT
1	1	R7744B	R7744 Base w/ Bike Arms	Steel Powder Coated	151 lbs
2	1	R7744C	R7744 Cap	Ductile Iron Powder Coated	12 lbs
3	1	R7500AN 1"	R7500 Anchor Casting 1"	Ductile Iron Hot Dip Galvanized	8 3/8 lbs
4	1	R7500BAR 1"	R7500 Threaded Bar 1" x 44"	Steel Plated	8 1/8 lbs
5	1	Washer 1" OD 2"	Washer 1" OD 2" Thick 1/8"	Steel Plated	1/8 lbs
6	1	Hex Nut 1"	Hex Nut 1" - requires 1 1/2" wrench	Steel Plated	1/4 lbs
7	3	Hexagon Socket Set Screw 3/8" x 7/16"	Hexagon Socket Set Screw 3/8" x 7/16" - requires 3/16" hex key	Stainless Steel	
8	3	Polyethylene Plug 3/8"	Polyethylene Plug 3/8"	LDPE Black	

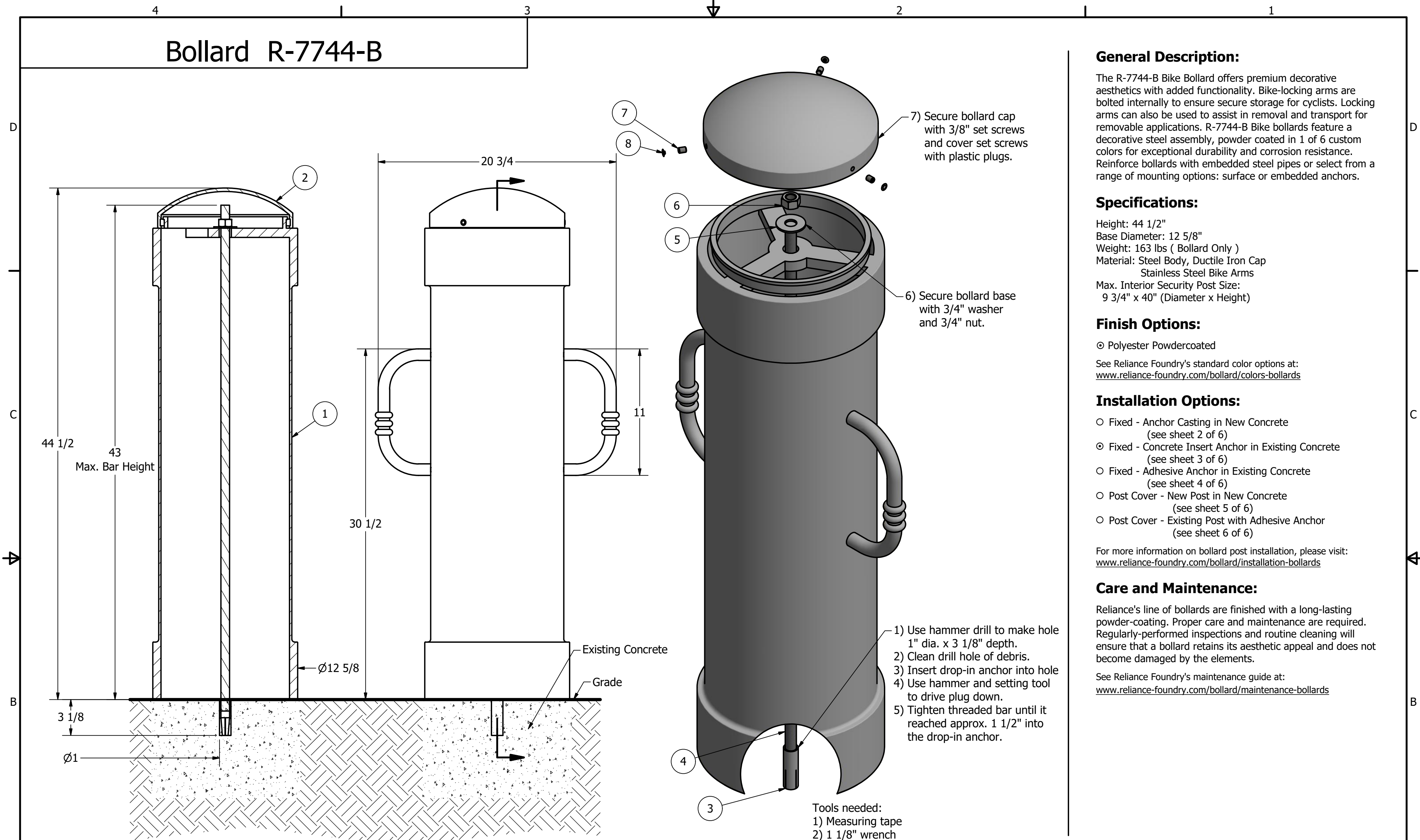


Unit 207, 6450 - 148 Street, Surrey, BC V3S 7G7, Canada
 1-888-735-5680 info@reliance-foundry.com
www.reliance-foundry.com

Bollard R-7744-B

SIZE	DWG NO	REV
C	R7744B	C1
NOT TO SCALE		SHEET 2 OF 6

Bollard R-7744-B



General Description:
 The R-7744-B Bike Bollard offers premium decorative aesthetics with added functionality. Bike-locking arms are bolted internally to ensure secure storage for cyclists. Locking arms can also be used to assist in removal and transport for removable applications. R-7744-B Bike bollards feature a decorative steel assembly, powder coated in 1 of 6 custom colors for exceptional durability and corrosion resistance. Reinforce bollards with embedded steel pipes or select from a range of mounting options: surface or embedded anchors.

Specifications:
 Height: 44 1/2"
 Base Diameter: 12 5/8"
 Weight: 163 lbs (Bollard Only)
 Material: Steel Body, Ductile Iron Cap
 Stainless Steel Bike Arms
 Max. Interior Security Post Size:
 9 3/4" x 40" (Diameter x Height)

Finish Options:
 ☉ Polyester Powdercoated
 See Reliance Foundry's standard color options at:
www.reliance-foundry.com/bollard/colors-bollards

Installation Options:

- Fixed - Anchor Casting in New Concrete (see sheet 2 of 6)
- ☉ Fixed - Concrete Insert Anchor in Existing Concrete (see sheet 3 of 6)
- Fixed - Adhesive Anchor in Existing Concrete (see sheet 4 of 6)
- Post Cover - New Post in New Concrete (see sheet 5 of 6)
- Post Cover - Existing Post with Adhesive Anchor (see sheet 6 of 6)

For more information on bollard post installation, please visit:
www.reliance-foundry.com/bollard/installation-bollards

Care and Maintenance:
 Reliance's line of bollards are finished with a long-lasting powder-coating. Proper care and maintenance are required. Regularly-performed inspections and routine cleaning will ensure that a bollard retains its aesthetic appeal and does not become damaged by the elements.
 See Reliance Foundry's maintenance guide at:
www.reliance-foundry.com/bollard/maintenance-bollards

Notes:
 1) Bollard post is provided as shown. Concrete, foundation and/or installation ordered separately or provided by others.
 2) Minimum foundation sizes depend on local soil conditions, weather conditions, and engineering requirements.
 3) Dimensions provided herein is for reference only. Please consult Reliance Foundry sales professionals if any dimension is critical to your particular installation.
 4) Reliance Foundry reserves the right to amend design and specifications without prior notice for product improvement.

- Tools needed:**
 1) Measuring tape
 2) 1 1/8" wrench
 3) 3/16" hex key
 4) Hammer drill
 5) 1" Masonry drill bit
 6) Hammer
 7) Drop-in concrete insert setting tool

PARTS LIST

ITEM	QTY	PART NUMBER	DESCRIPTION	MATERIAL	WEIGHT
1	1	R7744B	R7744 Base w/ Bike Arms	Steel Powder Coated	151 lbs
2	1	R7744C	R7744 Cap	Ductile Iron Powder Coated	12 lbs
3	1	Drop-in Concrete Insert 3/4"	Drop-in Concrete Insert 3/4" - requires 1" x 3 1/8" hole (dia. x depth)	Steel Plated	1/2 lbs
4	1	R7500BAR 3/4"	R7500 Threaded Bar 3/4" x 44"	Steel Plated	4 1/2 lbs
5	1	Washer 3/4" OD 2"	Washer 3/4" OD 2" Thick 1/8"	Steel Plated	1/8 lbs
6	1	Hex Nut 3/4"	Hex Nut 3/4" - requires 1 1/8" wrench	Steel Plated	1/8 lbs
7	3	Hexagon Socket Set Screw 3/8" x 7/16"	Hexagon Socket Set Screw 3/8" x 7/16" - requires 3/16" hex key	Stainless Steel	
8	3	Polyethylene Plug 3/8"	Polyethylene Plug 3/8"	LDPE Black	

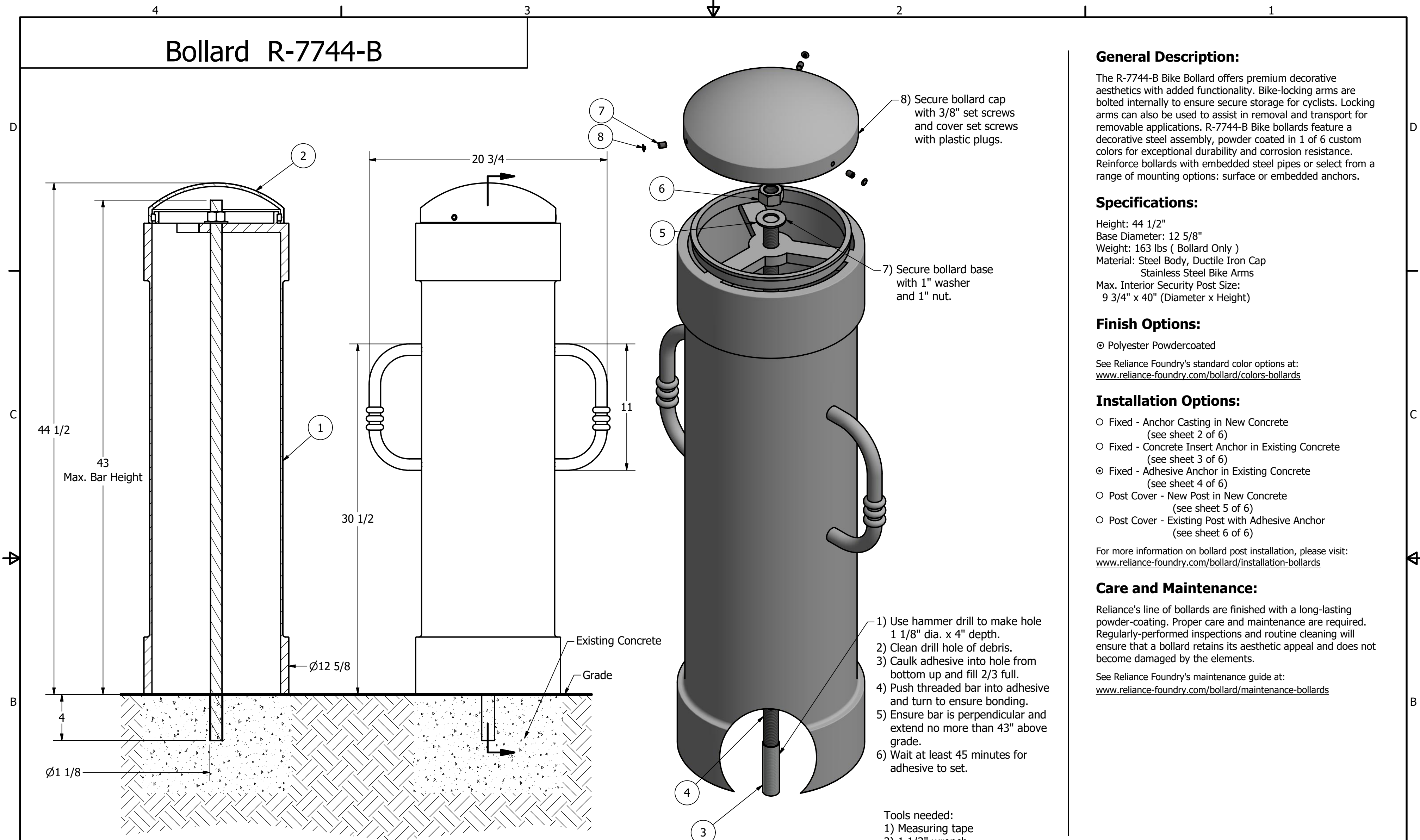


Unit 207, 6450 - 148 Street, Surrey, BC V3S 7G7, Canada
 1-888-735-5680 info@reliance-foundry.com
www.reliance-foundry.com

Bollard R-7744-B

SIZE	DWG NO	REV
C	R7744B	C1

Bollard R-7744-B



General Description:
 The R-7744-B Bike Bollard offers premium decorative aesthetics with added functionality. Bike-locking arms are bolted internally to ensure secure storage for cyclists. Locking arms can also be used to assist in removal and transport for removable applications. R-7744-B Bike bollards feature a decorative steel assembly, powder coated in 1 of 6 custom colors for exceptional durability and corrosion resistance. Reinforce bollards with embedded steel pipes or select from a range of mounting options: surface or embedded anchors.

Specifications:
 Height: 44 1/2"
 Base Diameter: 12 5/8"
 Weight: 163 lbs (Bollard Only)
 Material: Steel Body, Ductile Iron Cap
 Stainless Steel Bike Arms
 Max. Interior Security Post Size:
 9 3/4" x 40" (Diameter x Height)

Finish Options:
 ☉ Polyester Powdercoated
 See Reliance Foundry's standard color options at:
www.reliance-foundry.com/bollard/colors-bollards

Installation Options:

- Fixed - Anchor Casting in New Concrete (see sheet 2 of 6)
- Fixed - Concrete Insert Anchor in Existing Concrete (see sheet 3 of 6)
- ☉ Fixed - Adhesive Anchor in Existing Concrete (see sheet 4 of 6)
- Post Cover - New Post in New Concrete (see sheet 5 of 6)
- Post Cover - Existing Post with Adhesive Anchor (see sheet 6 of 6)

For more information on bollard post installation, please visit:
www.reliance-foundry.com/bollard/installation-bollards

Care and Maintenance:
 Reliance's line of bollards are finished with a long-lasting powder-coating. Proper care and maintenance are required. Regularly-performed inspections and routine cleaning will ensure that a bollard retains its aesthetic appeal and does not become damaged by the elements.
 See Reliance Foundry's maintenance guide at:
www.reliance-foundry.com/bollard/maintenance-bollards

- 1) Use hammer drill to make hole 1 1/8" dia. x 4" depth.
- 2) Clean drill hole of debris.
- 3) Caulk adhesive into hole from bottom up and fill 2/3 full.
- 4) Push threaded bar into adhesive and turn to ensure bonding.
- 5) Ensure bar is perpendicular and extend no more than 43" above grade.
- 6) Wait at least 45 minutes for adhesive to set.

- Tools needed:**
- 1) Measuring tape
 - 2) 1 1/2" wrench
 - 3) 3/16" hex key
 - 4) Hammer drill
 - 5) 1 1/8" Masonry drill bit
 - 6) Caulking gun and utility knife

Notes:
 1) Bollard post is provided as shown. Concrete, foundation and/or installation ordered separately or provided by others.
 2) Minimum foundation sizes depend on local soil conditions, weather conditions, and engineering requirements.
 3) Dimensions provided herein is for reference only. Please consult Reliance Foundry sales professionals if any dimension is critical to your particular installation.
 4) Reliance Foundry reserves the right to amend design and specifications without prior notice for product improvement.

PARTS LIST

ITEM	QTY	PART NUMBER	DESCRIPTION	MATERIAL	WEIGHT
1	1	R7744B	R7744 Base w/ Bike Arms	Steel Powder Coated	151 lbs
2	1	R7744C	R7744 Cap	Ductile Iron Powder Coated	12 lbs
3	1	Adhesive Anchor	AC100+ Gold Adhesive Anchoring System	Vinylester Adhesive Mortar	5/8 lbs
4	1	R7500BAR 1"	R7500 Threaded Bar 1" x 47"	Steel Plated	8 3/4 lbs
5	1	Washer 1" OD 2"	Washer 1" OD 2" Thick 1/8"	Steel Plated	1/8 lbs
6	1	Hex Nut 1"	Hex Nut 1" - requires 1 1/2" wrench	Steel Plated	1/4 lbs
7	3	Hexagon Socket Set Screw 3/8" x 7/16"	Hexagon Socket Set Screw 3/8" x 7/16" - requires 3/16" hex key	Stainless Steel	
8	3	Polyethylene Plug 3/8"	Polyethylene Plug 3/8"	LDPE Black	

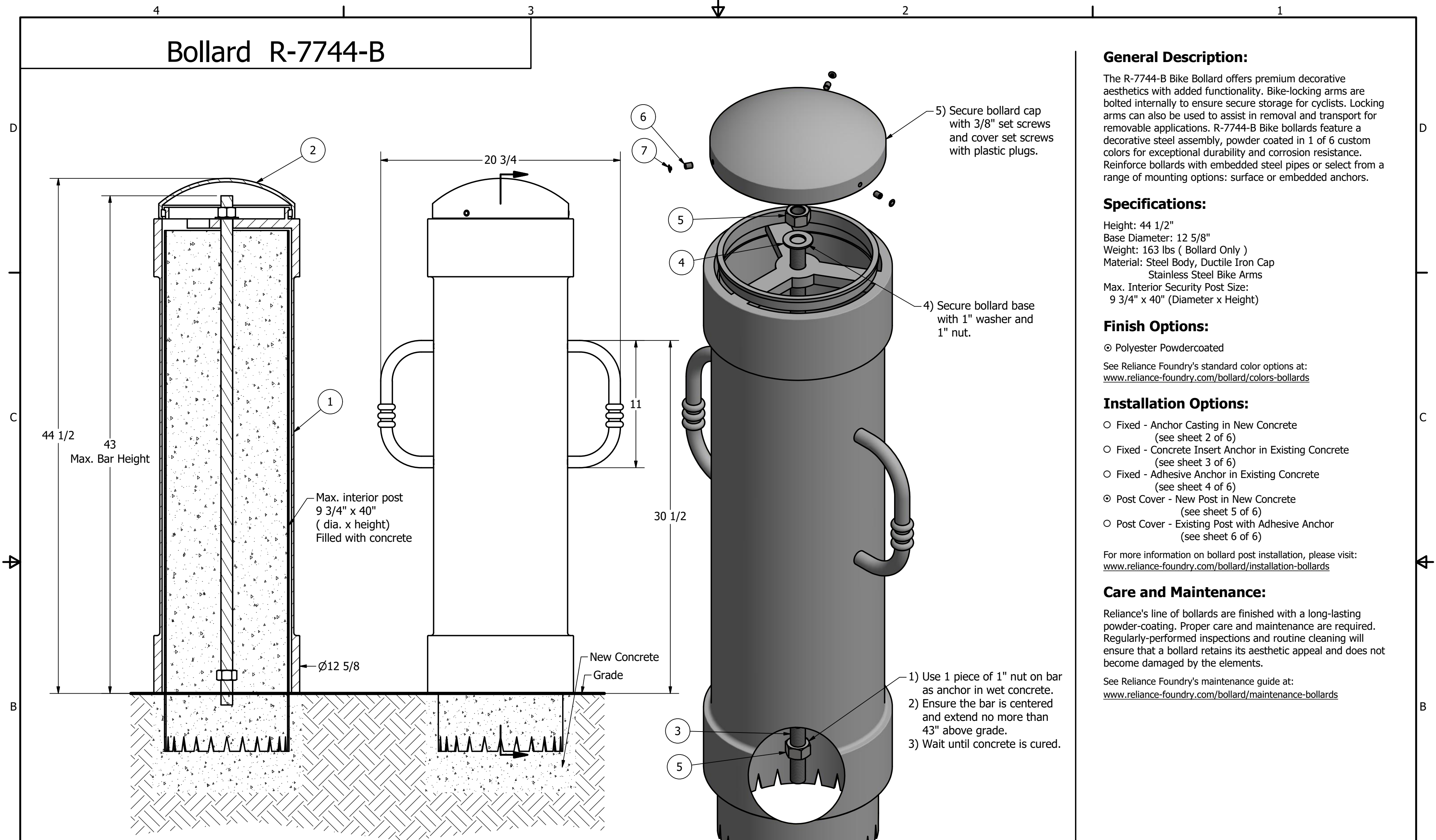
Unit 207, 6450 - 148 Street, Surrey, BC V3S 7G7, Canada
 1-888-735-5680 info@reliance-foundry.com
www.reliance-foundry.com

Bollard R-7744-B

SIZE: C DWG NO: R7744B REV: C1

NOT TO SCALE SHEET 4 OF 6

Bollard R-7744-B



General Description:

The R-7744-B Bike Bollard offers premium decorative aesthetics with added functionality. Bike-locking arms are bolted internally to ensure secure storage for cyclists. Locking arms can also be used to assist in removal and transport for removable applications. R-7744-B Bike bollards feature a decorative steel assembly, powder coated in 1 of 6 custom colors for exceptional durability and corrosion resistance. Reinforce bollards with embedded steel pipes or select from a range of mounting options: surface or embedded anchors.

Specifications:

Height: 44 1/2"
 Base Diameter: 12 5/8"
 Weight: 163 lbs (Bollard Only)
 Material: Steel Body, Ductile Iron Cap
 Stainless Steel Bike Arms
 Max. Interior Security Post Size:
 9 3/4" x 40" (Diameter x Height)

Finish Options:

☉ Polyester Powdercoated

See Reliance Foundry's standard color options at:
www.reliance-foundry.com/bollard/colors-bollards

Installation Options:

- Fixed - Anchor Casting in New Concrete (see sheet 2 of 6)
- Fixed - Concrete Insert Anchor in Existing Concrete (see sheet 3 of 6)
- Fixed - Adhesive Anchor in Existing Concrete (see sheet 4 of 6)
- ☉ Post Cover - New Post in New Concrete (see sheet 5 of 6)
- Post Cover - Existing Post with Adhesive Anchor (see sheet 6 of 6)

For more information on bollard post installation, please visit:
www.reliance-foundry.com/bollard/installation-bollards

Care and Maintenance:

Reliance's line of bollards are finished with a long-lasting powder-coating. Proper care and maintenance are required. Regularly-performed inspections and routine cleaning will ensure that a bollard retains its aesthetic appeal and does not become damaged by the elements.

See Reliance Foundry's maintenance guide at:
www.reliance-foundry.com/bollard/maintenance-bollards

- Tools needed:
- 1) Measuring tape
 - 2) 1 1/2" wrench
 - 3) 3/16" hex key

Notes:

- 1) Bollard post is provided as shown. Concrete, foundation and/or installation ordered separately or provided by others.
- 2) Minimum foundation sizes depend on local soil conditions, weather conditions, and engineering requirements.
- 3) Dimensions provided herein is for reference only. Please consult Reliance Foundry sales professionals if any dimension is critical to your particular installation.
- 4) Reliance Foundry reserves the right to amend design and specifications without prior notice for product improvement.

PARTS LIST

ITEM	QTY	PART NUMBER	DESCRIPTION	MATERIAL	WEIGHT
1	1	R7744B	R7744 Base w/ Bike Arms	Steel Powder Coated	151 lbs
2	1	R7744C	R7744 Cap	Ductile Iron Powder Coated	12 lbs
3	1	R7500BAR 1"	R7500 Threaded Bar 1" x 44"	Steel Plated	8 1/8 lbs
4	1	Washer 1" OD 2"	Washer 1" OD 2" Thick 1/8"	Steel Plated	1/8 lbs
5	2	Hex Nut 1"	Hex Nut 1" - requires 1 1/2" wrench	Steel Plated	1/4 lbs
6	3	Hexagon Socket Set Screw 3/8" x 7/16"	Hexagon Socket Set Screw 3/8" x 7/16" - requires 3/16" hex key	Stainless Steel	
7	3	Polyethylene Plug 3/8"	Polyethylene Plug 3/8"	LDPE Black	

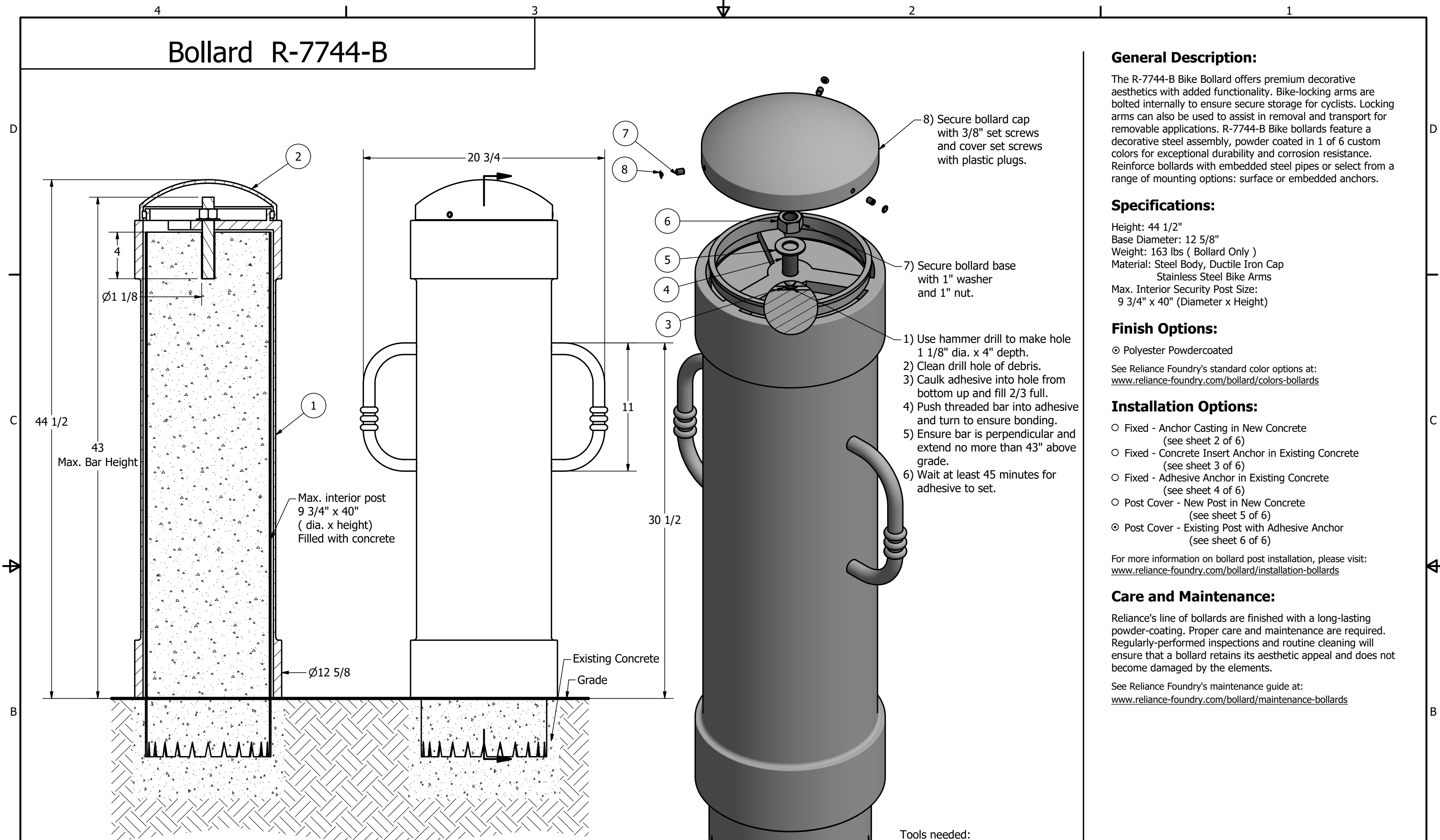
RELIANCE FOUNDRY
 SINCE 1925

Unit 207, 6450 - 148 Street, Surrey, BC V3S 7G7, Canada
 1-888-735-5680 info@reliance-foundry.com
www.reliance-foundry.com

Bollard R-7744-B

SIZE C	DWG NO R7744B	REV C1
------------------	-------------------------	------------------

Bollard R-7744-B



General Description:
 The R-7744-B Bike Bollard offers premium decorative aesthetics with added functionality. Bike-locking arms are bolted internally to ensure secure storage for cyclists. Locking arms can also be used to assist in removal and transport for removable applications. R-7744-B Bike bollards feature a decorative steel assembly, powder coated in 1 of 6 custom colors for exceptional durability and corrosion resistance. Reinforce bollards with embedded steel pipes or select from a range of mounting options: surface or embedded anchors.

Specifications:
 Height: 44 1/2"
 Base Diameter: 12 5/8"
 Weight: 163 lbs (Bollard Only)
 Material: Steel Body, Ductile Iron Cap
 Stainless Steel Bike Arms
 Max. Interior Security Post Size:
 9 3/4" x 40" (Diameter x Height)

Finish Options:
 ☉ Polyester Powdercoated
 See Reliance Foundry's standard color options at:
www.reliance-foundry.com/bollard/colors-bollards

Installation Options:

- Fixed - Anchor Casting in New Concrete (see sheet 2 of 6)
- Fixed - Concrete Insert Anchor in Existing Concrete (see sheet 3 of 6)
- Fixed - Adhesive Anchor in Existing Concrete (see sheet 4 of 6)
- Post Cover - New Post in New Concrete (see sheet 5 of 6)
- ☉ Post Cover - Existing Post with Adhesive Anchor (see sheet 6 of 6)

For more information on bollard post installation, please visit:
www.reliance-foundry.com/bollard/installation-bollards


Care and Maintenance:
 Reliance's line of bollards are finished with a long-lasting powder-coating. Proper care and maintenance are required. Regularly-performed inspections and routine cleaning will ensure that a bollard retains its aesthetic appeal and does not become damaged by the elements.
 See Reliance Foundry's maintenance guide at:
www.reliance-foundry.com/bollard/maintenance-bollards

- Tools needed:**
- 1) Measuring tape
 - 2) 1 1/2" wrench
 - 3) 3/16" hex key
 - 4) Hammer drill
 - 5) 1 1/8" Masonry drill bit
 - 6) Caulking gun and utility knife

- Notes:**
- 1) Bollard post is provided as shown. Concrete, foundation and/or installation ordered separately or provided by others.
 - 2) Minimum foundation sizes depend on local soil conditions, weather conditions, and engineering requirements.
 - 3) Dimensions provided herein is for reference only. Please consult Reliance Foundry sales professionals if any dimension is critical to your particular installation.
 - 4) Reliance Foundry reserves the right to amend design and specifications without prior notice for product improvement.

PARTS LIST

ITEM	QTY	PART NUMBER	DESCRIPTION	MATERIAL	WEIGHT
1	1	R7744B	R7744 Base w/ Bike Arms	Steel Powder Coated	151 lbs
2	1	R7744C	R7744 Cap	Ductile Iron Powder Coated	12 lbs
3	1	Adhesive Anchor	AC100+ Gold Adhesive Anchoring System	Vinylester Adhesive Mortar	5/8 lbs
4	1	R7500BAR 1"	R7500 Threaded Bar 1" Custom Order Length	Steel Plated	TBD
5	1	Washer 1" OD 2"	Washer 1" OD 2" Thick 1/8"	Steel Plated	1/8 lbs
6	1	Hex Nut 1"	Hex Nut 1" - requires 1 1/2" wrench	Steel Plated	1/4 lbs
7	3	Hexagon Socket Set Screw 3/8" x 7/16"	Hexagon Socket Set Screw 3/8" x 7/16" - requires 3/16" hex key	Stainless Steel	
8	3	Polyethylene Plug 3/8"	Polyethylene Plug 3/8"	LDPE Black	



Unit 207, 6450 - 148 Street, Surrey, BC V3S 7G7, Canada
 1-888-735-5680 info@reliance-foundry.com
www.reliance-foundry.com

Bollard R-7744-B

SIZE	DWG NO	REV
C	R7744B	C1

NOT TO SCALE SHEET 6 OF 6